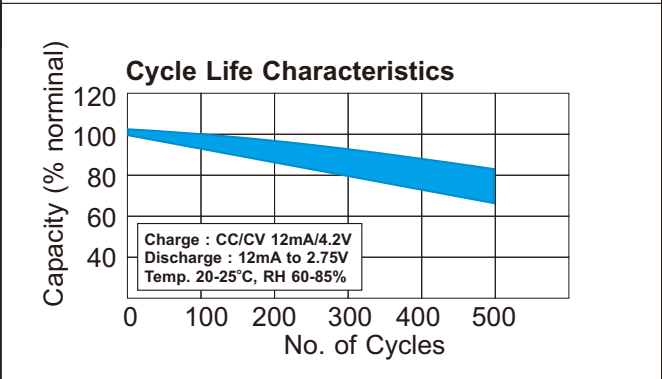
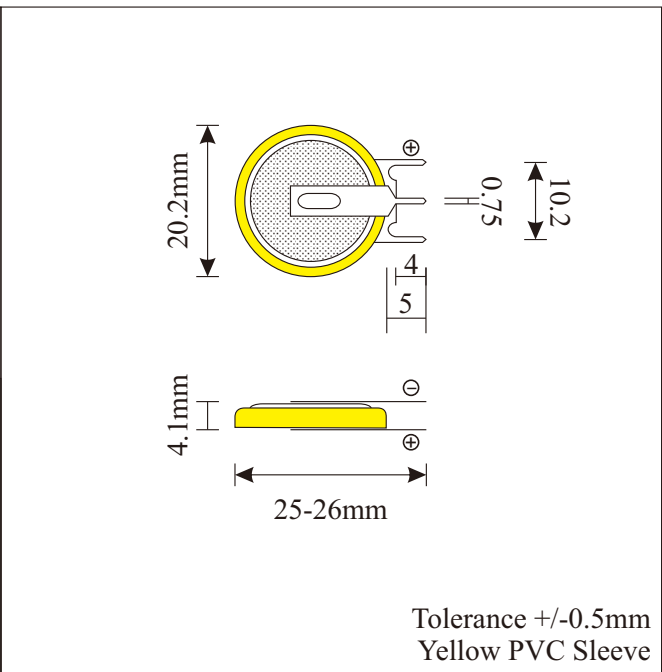
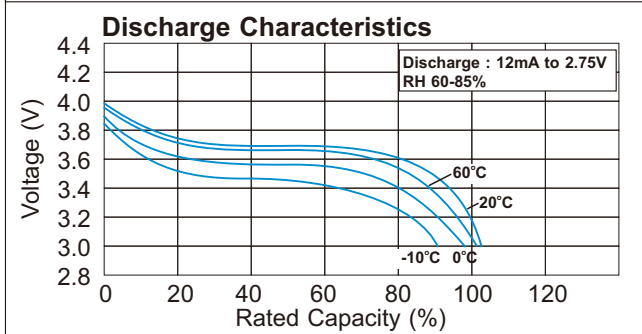
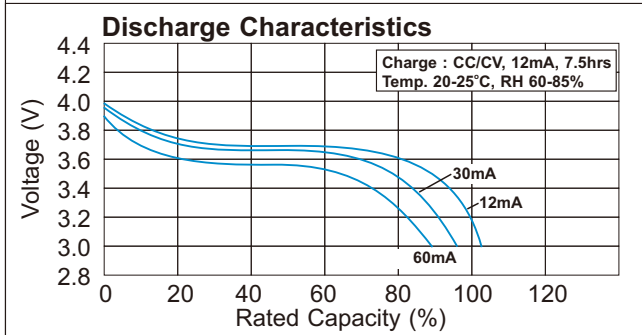
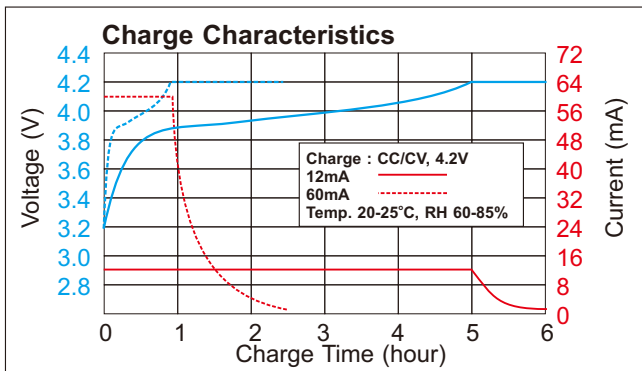


LITHIUM-ION RECHARGEABLE COIN CELL

SPECIFICATIONS

Model	: LIR2032H-1GV
Description	: Lithium-Ion Rechargeable Coin Cell
Nominal Capacity	: 60mAh (Min. 55) at 12mA discharge
Nominal Voltage	: 3.70 Volt
Cut-Off Voltage	: 2.75 Volt
Weight	: 3.0 gram
Life Duration	: Over 500 cycles at 0.2C mA discharge
Charge	Standard - CC at 12mA to 4.2V, then CV at 4.2V to current < 3mA Fast - CC at 60mA to 4.2V, then CV at 4.2V to current < 3mA
Max. Discharge Current	: 60mA
Temperature Environment	Standard Charge 0 degC to 45 degC Discharge -20 degC to 60 degC Storage -10 degC to 35 degC
Internal Impedance	: <650 mOhm (Full Charge, test at 1000Hz)
Appearance	No leakage, No remarkable scratch, flaws or discoloration. : No explosion under standard operating condition
Battery Maintenance	Battery stored and not used under room temperature for over 6 months have to be recharged.



Information is for reference only and is not construed as warranties either expressed or implied, of future performance. Performance varies with time, discharge and storage condition.. 1 year limited guarantee against manufacturing defects. Other problem caused by misuse, mishandling of cell, or malfunction of equipment, is not under the warranty.