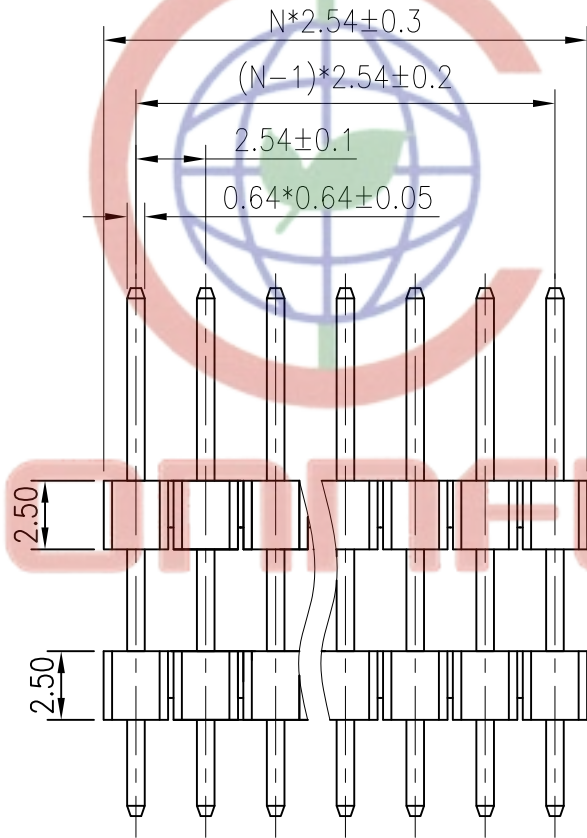
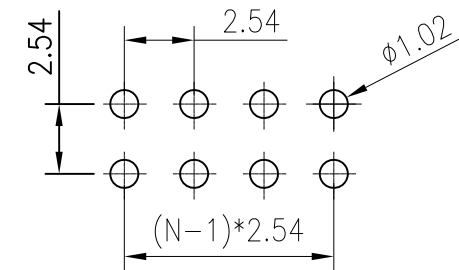


REV.	DESCRIPTION	DRAWN	CHECKED	APPROVED
A	NEW RELEASE	LJH 09/22/05'	~	LJC 09/22/05'
B	ADD DIM.	LL 10/30/06'	~	LJC 10/30/06'
C	ADD DIM.	YCH 04/23/08'	~	LJC 04/23/08'
D	增加V1与V2选择	YCH 03/25/09'	~	

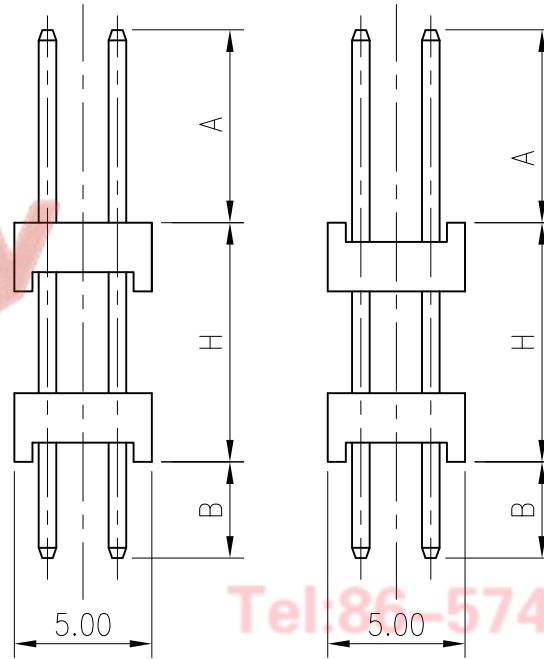


N:NUMBER OF CONTACTS



RECOMMEND PCB LAYOUT
(TOLERANCE=±0.05)

V1 TYPE V2 TYPE



NOTES:

- SPECIFICATION
 - CURRENT RATING:1.5 Amp.
 - INSULATION RESISTANCE:1000MΩ Min.
 - DIELECTRIC WITHSTANDING:600VAC.
 - CONTACT RESISTANCE:50mΩ Max.
 - TEMPERATURE RANGE:-40°C TO+105°C.
- PART NUMBER: DS1029-04
- PRODUCT NUMBER CODE:

DS1029-04 - X X X X X X X

- DIM.A H B TYPE
 - 1: TYPE 1
 - 2: TYPE 2
 - 46: TYPE 46
 -
- BEND TYPE
 - A: V1 TYPE
 - B: V2 TYPE
- MOUNTING TYPE
 - V:VERTICAL TYPE
- HOUSING COLOR
 - B:BLACK
- CONNECTOR PLATING
 - 8: FULL GOLD FLASH
- CONECT TYPE
 - P:PLUG
- No.OF CONTACTS
 - 2*1-2*40

Tel:86-574-63508787
 Fax:86-574-63510817
 E-mail:sale@zhenqin.com.cn
 Http://www.connfly.com

GENERAL TOLERANCE		ANGLE TOLERANCE		PROJECTION		TITLE	BOARD SPACERS PIN HEADER
X.	±0.60	X.	±5°	UNITS	mm		PITCH 2.54mm TYPE
.X	±0.38	.X	±3°	SHEET SIZE	A4	SERIES	DS1029-04 SERIES
.XX	±0.25	.XX	±2°	晨翔电子有限公司 CONNFLY CONNFLY ELECTRONIC CO. LTD			
DRAWING TYPE		CUSTOMER					
SCALE	1:1	SHEET	1 OF 2				
DRAWING NO.		C-DS1029-04-XXXXXXX					

A/B/C: CUSTOMER LENGTH AVAILABLE

REV.	DESCRIPTION	DRAWN	CHECKED	APPROVED
A	NEW RELEASE	LJH 09/22/05'		LJH 09/22/05'
E	ADD DIM	LL 10/30/06'		LJC 10/30/06'
F	ADD DIM	YCH 04/23/08'		LJC 04/23/08'
G	增加V1与V2选择	YCH 03/25/09'		

TABLE A:

TYPE	Dimension		
	A	H	B
1	18.60	10.40	3.00
2	5.80	14.85	2.85
3	6.00	15.00	3.00
4	10.40	12.60	3.50
5	6.40	10.40	3.00
6	6.00	20.50	3.00
7	6.50	11.50	3.00
8	6.50	6.50	3.00
9	10.80	12.60	3.50
10	6.00	10.40	3.00
11	6.50	6.50	3.00
12	9.00	14.00	3.00
13	4.40	5.00	3.00
14	10.00	10.00	3.00
15	6.00	5.08	3.00
16	6.50	22.10	3.30
17	6.40	11.30	3.30
18	6.00	26.00	3.00
19	6.00	11.50	3.00
20	3.50	7.00	3.50
21	6.00	6.50	3.00
22	6.00	21.50	3.00
23	10.00	15.00	3.00
24	7.00	11.00	7.00
25	13.00	12.00	3.30
26	10.80	12.60	3.00

TYPE	Dimension		
	A	H	B
27	6.00	12.00	3.00
28	7.30	15.60	7.10
29	12.30	15.60	7.10
30	5.00	32.00	3.00
31	6.00	9.00	3.00
32	6.00	22.40	3.00
33	6.00	27.00	3.00
34	6.00	36.00	3.00
35	6.00	11.00	3.00
36	3.00	18.00	6.00
37	6.00	7.00	3.00
38	6.00	8.00	3.00
39	6.20	25.60	3.20
40	6.00	21.00	3.00
41	6.00	28.00	3.00
42	6.00	7.00	3.00
43	6.00	17.00	3.00
44	6.00	16.00	3.00
45	5.50	6.00	3.00
46	5.00	17.00	3.00
47	6.00	6.70	3.30
48	11.00	15.00	3.00
49	2.60	37.40	6.00
50	6.00	24.00	3.00
51	5.84	20.62	3.00
52	6.00	23.00	3.00

TYPE	Dimension		
	A	H	B
53	6.00	10.00	3.00
54	3.00	26.00	3.00
55	10.50	9.50	3.50
56	12.00	38.00	4.00
57	8.00	14.40	3.60
58	8.70	9.80	3.50
59	7.00	43.00	4.00
60	3.00	34.00	8.50
61	9.50	12.30	3.50
62	8.20	10.80	3.50
63	6.00	30.00	3.00
64	10.00	12.00	3.00
65	8.50	9.00	3.00
66	6.00	11.00	3.50
67	12.70	11.00	2.80
68	6.00	5.00	3.00
69	13.00	7.50	3.60
70	6.00	20.00	3.00
71	3.00	10.40	3.00
72	6.00	13.50	3.00
73	3.50	27.70	10.50
74	6.00	31.50	3.30
75	3.00	16.50	3.00
76	4.00	15.00	3.00
77	6.50	15.50	3.00
78	11.30	22.50	2.50

TYPE	Dimension		
	A	H	B
79	17.50	13.00	3.50
80	8.00	14.00	8.00
81	6.00	41.00	3.00
82	5.84	13.16	3.00
83	6.00	39.00	3.00
84	6.50	13.00	3.50
85			
86			
87			
88			
89			
90			
91			
92			
93			
94			
95			
96			
97			
98			
99			
100			
101			
102			
103			
104			

TYPE	Dimension		
	A	H	B
105			
106			
107			
108			
109			
110			
111			
112			
113			
114			
115			
116			
117			
118			
119			
120			
121			
122			
123			
124			
125			
126			
127			
128			
129			
130			

DS1029-04

GENERAL TOLERANCE		ANGLE TOLERANCE		PROJECTION		TITLE	
X.	±0.60	X.	±5'			BOARD SPACERS PIN HEADER	
.X	±0.38	.X	±3'	mm		PITCH 2.54mm TYPE	
.XX	±0.25	.XX	±2'	A4		SERIES DS1029-04 SERIES	
DRAWING TYPE		CUSTOMER		晨翔电子有限公司 CONNFLY CONNFLY ELECTRONIC CO. LTD			
SCALE		SHEET					
DRAWING NO.		C-DS1029-04-XXXXXXX					