

SWITCH / PUSH SWITCH

TS202

3 pins Max.

Tiny pushbutton/ Torch switch, Up to 3A, 30VDC
Optional terminal type and button color

PDF Download

Get Information



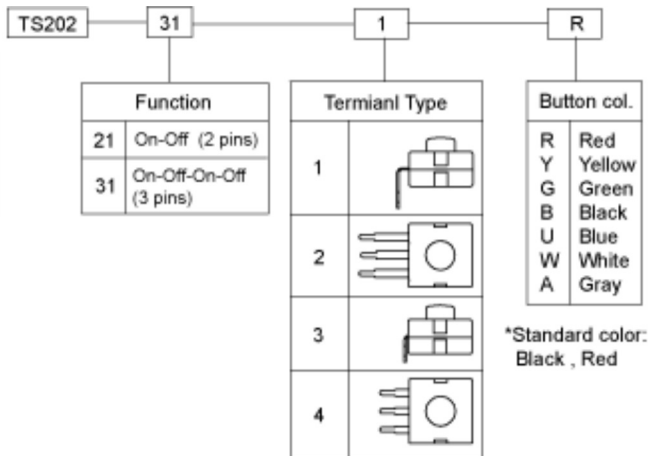
ZOOM IN

Feature

Specification:

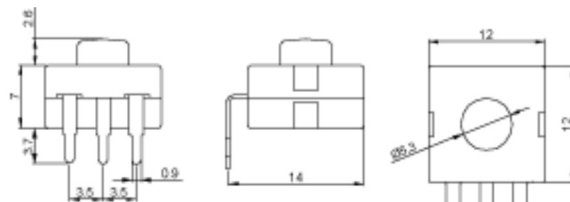
- Rating: 3A, 30VDC
- Contact Resistance: 100m ohms (Max)
- Insulation Resistance: 100M ohms(Min)
- Withstand Voltage: AC 1000V 1 Minute
- Operating Force: 700+/-150gf
- Electrical Life: 20,000 cycles

How to order

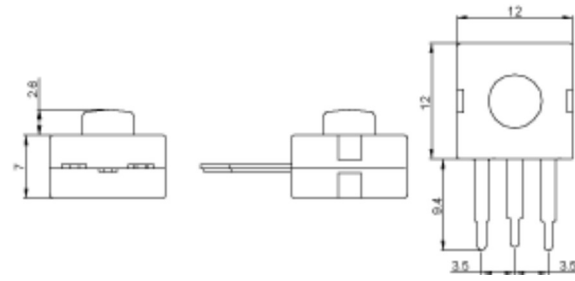


Specification

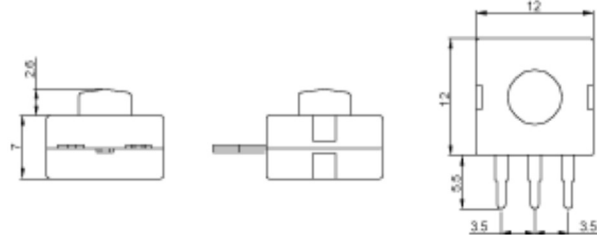
TS202-31-1



TS202-31-2



TS202-31-4



 Start Print

Canal Components Inc. Tel:+886-2-29161263 Fax:+886-2-29117574
Copyright ©2009 Canal Components Inc.. All rights reserved.