

SWITCH / MICRO SWITCH

**G5W11 Series**  
**IP67, up to 10(2)A 125/250VAC**

Sealed Micro Switches



**Feature**

- Safety approved internationally by cURus in North America, Nemko ENEC in Europe, CQC in Asia
- IP67 protection level for wire type (cURus, Nemko ENEC17, CQC), terminal type is without waterproof.
- SPST-NC, SPST-NO or SPDT
- Wide range of wiring terminals and levers
- Applications in automotive, agricultural, automatic and office equipment

**Specification**

- Rating  
 W1: 0.1A 48VDC, 0.1A 125/250VAC T85 (cURus); 0.1A 48VDC, 0.1A 125/250VAC  $\mu$ 40T85 5E4(Nemko, ENEC17, CQC)  
 W2: 5A 125/250VAC 5A 38VDC T85 (cURus); 5A 125/250VAC~5A 30VDC  $\mu$ 40T85 5E4(Nemko, ENEC17, CQC)  
 W3: 10.1A 1/10HP 125/250VAC, 0.5A 125VDC, 0.25A 250VDC T85 (cURus); 10(2)A 125/250VAC~ 0.5A 125VDC 0.25A 250VDC  $\mu$ 40T85 5E4 (Nemko, ENEC17, CQC)
- Initial contact resistance : 50m ohms MAX. for terminal typer; 100m ohms MAX. for wire type or depends on the wire length
- Insulation resistance : 100M ohm MIN. at 500VDC
- Dielectric strength : 1000VAC (50~60Hz) 1 min. between terminal, 1500VAC (50~60Hz) 1 min. between terminal and housing
- Electrical life : 10,000 cycles min (UL)

How to Order:

G5W11 — W Z 015 A

SERIES SYMBOL	TERMINAL TYPE	CIRCUIT	OPERATING FORCE	LEVER
G5W11 SERIES	E 4.7mm (187) Quick connect W Wire	Z SPDT P SPST-NO C SPST-NC	015 15gf 025 25gf 050 50gf 100 100gf 200 200gf	<input type="checkbox"/> Pin Plunger only A with Lever

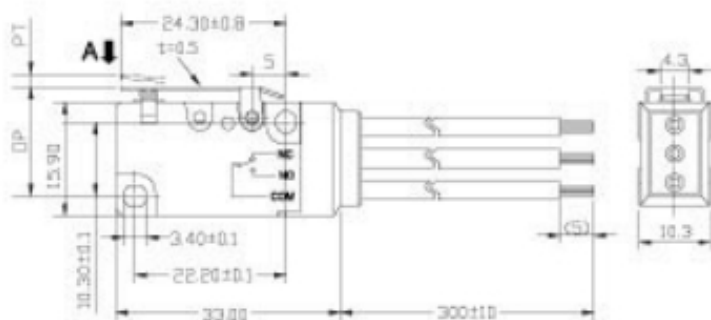
01 —

LEVER TYPE	SPECIAL
<input type="checkbox"/> Pin Plunger ... Others please see below	W1 Rating 1, UL1015, #24 W2 Rating 2, UL1015, #20 W3 Rating 3, UL1015, #18  ▶ Standard Wire Length 300mm

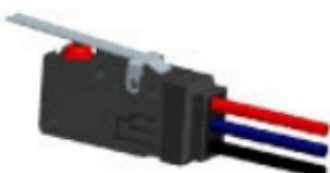
◆G5W11-W□□A01-W□



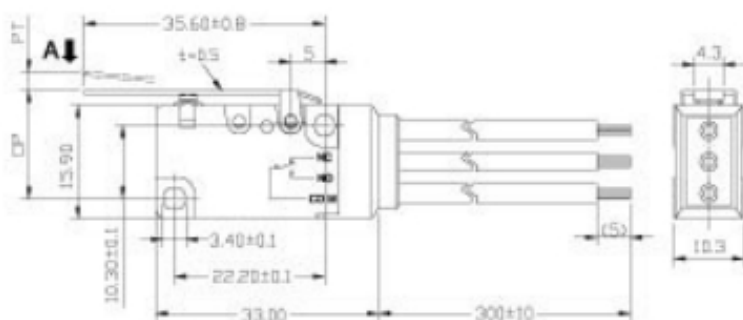
型号 Part Number	操作参数/Parameters							
	OF Max.		RF Min.		PT Max.	OT Min.	MD Max.	OP (mm)
	(N)	(gf)	(N)	(gf)	(mm)	(mm)	(mm)	
G5W11-WZ015A01-W□	0.30	30	0.05	5	1.6	0.8	0.4	15.3±0.5
G5W11-WZ025A01-W□	0.40	40	0.10	10	1.6	0.8	0.4	15.3±0.5
G5W11-WZ050A01-W□	0.64	65	0.15	15	1.6	0.8	0.4	15.3±0.5
G5W11-WZ100A01-W□	1.08	110	0.35	35	1.6	0.8	0.4	15.3±0.5
G5W11-WZ200A01-W□	2.06	210	0.59	60	1.6	0.8	0.4	15.3±0.5



◆G5W11-W□□A02-W□



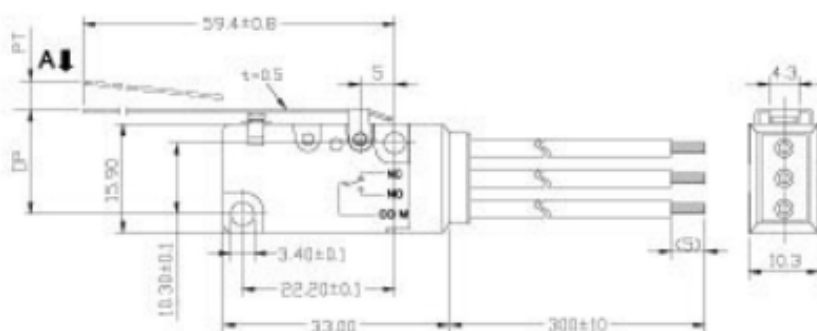
型号 Part Number	操作参数/Parameters							
	OF Max.		RF Min.		PT Max.	OT Min.	MD Max.	OP (mm)
	(N)	(gf)	(N)	(gf)	(mm)	(mm)	(mm)	
G5W11-WZ015A02-W□	0.20	20	0.05	5	3.2	1.3	1.2	15.3±1.5
G5W11-WZ025A02-W□	0.25	25	0.08	8	3.2	1.3	1.2	15.3±1.5
G5W11-WZ050A02-W□	0.40	40	0.15	15	3.2	1.3	1.2	15.3±1.5
G5W11-WZ100A02-W□	0.64	65	0.25	25	3.2	1.3	1.2	15.3±1.5
G5W11-WZ200A02-W□	1.27	130	0.36	36	3.2	1.3	1.2	15.3±1.5



◆G5W11-W□□A03-W□



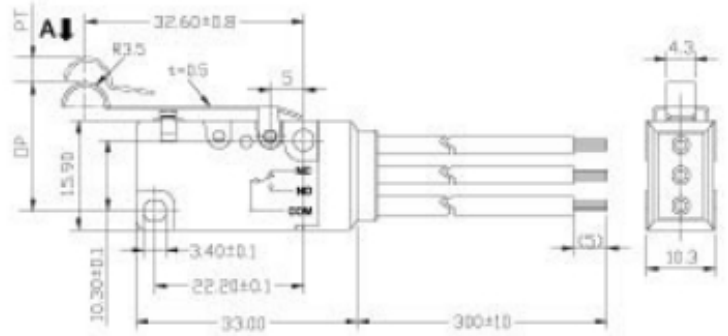
型号 Part Number	操作参数/Parameters							
	OF Max.		RF Min.		PT Max.	OT Min.	MD Max.	OP (mm)
	(N)	(gf)	(N)	(gf)	(mm)	(mm)	(mm)	
G5W11-WZ015A03-W□	0.10	10	0.03	3	6.4	2.6	2.4	15.3±3
G5W11-WZ025A03-W□	0.15	15	0.05	5	6.4	2.6	2.4	15.3±3
G5W11-WZ050A03-W□	0.20	20	0.08	8	6.4	2.6	2.4	15.3±3
G5W11-WZ100A03-W□	0.35	35	0.10	10	6.4	2.6	2.4	15.3±3
G5W11-WZ200A03-W□	0.64	65	0.15	15	6.4	2.6	2.4	15.3±3



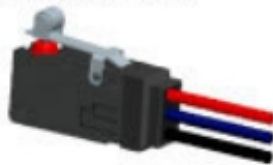
◆G5W11-W□□A04-W□



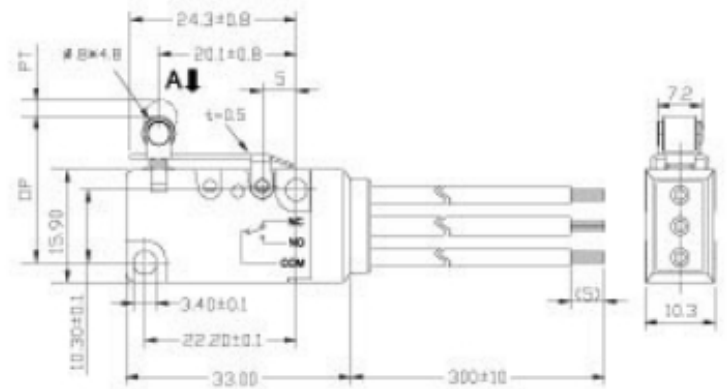
型号 Part Number	操作参数/Parameters							
	OF Max.		RF Min.		PT Max.	OT Min.	MD Max.	OP (mm)
	(N)	(gf)	(N)	(gf)	(mm)	(mm)	(mm)	
G5W11-WZ015A04-W□	0.20	20	0.05	5	3.2	1.3	1.2	18.5±1.5
G5W11-WZ025A04-W□	0.25	25	0.08	8	3.2	1.3	1.2	18.5±1.5
G5W11-WZ050A04-W□	0.40	40	0.15	15	3.2	1.3	1.2	18.5±1.5
G5W11-WZ100A04-W□	0.64	65	0.25	25	3.2	1.3	1.2	18.5±1.5
G5W11-WZ200A04-W□	1.27	130	0.35	35	3.2	1.3	1.2	18.5±1.5



◆G5W11-W□□A05-W□



型号 Part Number	操作参数/Parameters							
	OF Max.		RF Min.		PT Max.	OT Min.	MD Max.	OP (mm)
	(N)	(gf)	(N)	(gf)	(mm)	(mm)	(mm)	
G5W11-WZ015A05-W□	0.30	30	0.05	5	1.6	0.8	0.4	20.6±0.8
G5W11-WZ025A05-W□	0.40	40	0.10	10	1.6	0.8	0.4	20.6±0.8
G5W11-WZ050A05-W□	0.64	65	0.15	15	1.6	0.8	0.4	20.6±0.8
G5W11-WZ100A05-W□	1.18	120	0.35	35	1.6	0.8	0.4	20.6±0.8
G5W11-WZ200A05-W□	2.35	240	0.59	60	1.6	0.8	0.4	20.6±0.8



◆G5W11-W□□A06-W□



型号 Part Number	操作参数/Parameters							
	OF Max.		RF Min.		PT Max.	OT Min.	MD Max.	OP (mm)
	(N)	(gf)	(N)	(gf)	(mm)	(mm)	(mm)	
G5W11-WZ015A06-W□	0.20	20	0.05	5	3.2	1.3	1.2	20.6±1.6
G5W11-WZ025A06-W□	0.25	25	0.08	8	3.2	1.3	1.2	20.6±1.6
G5W11-WZ050A06-W□	0.40	40	0.15	15	3.2	1.3	1.2	20.6±1.6
G5W11-WZ100A06-W□	0.64	65	0.25	25	3.2	1.3	1.2	20.6±1.6
G5W11-WZ200A06-W□	1.27	130	0.35	35	3.2	1.3	1.2	20.6±1.6

