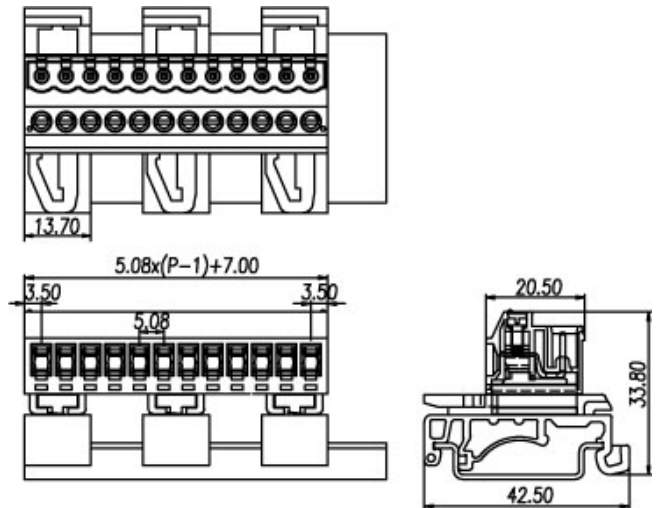
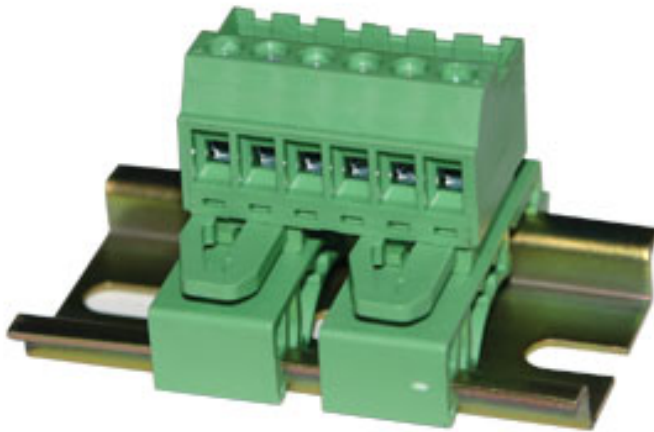


Headers(Sockets) for pluggable terminal blocks / ECH & EHD series



2EHDRD



Pitch: 5.08mm

Approval		
Technical Data	UL	IEC
Rated voltage	300V	250V
Rated current	12A	12A
Conductor cross-section, solid (AWG/ mm ²)	24~12 / 0.5~2.5	
Conductor cross-section, flexible (AWG/ mm ²)	24~12 / 0.5~2.5	
Rated surge voltage (UL/IEC/Max.)	1.6 / 2 / 4 KV	
Torque (N-m)	0.57	
Screw	M2.5	
Wire strip length	7~8mm	
Pole	Cat. No.	
05	2EHDRD-02P	
:	:	
:	:	
20	2EHDRD-20P	

TEL: +886-2-2908-0614

FAX: +886-2-2908-8549

E-mail: info@dinkle.com.tw