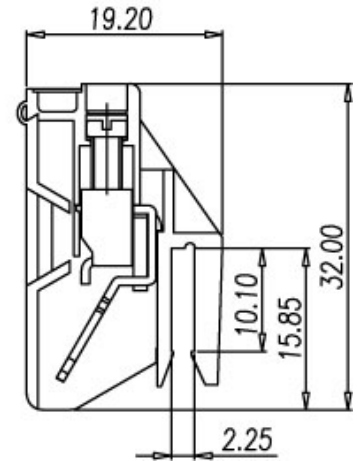
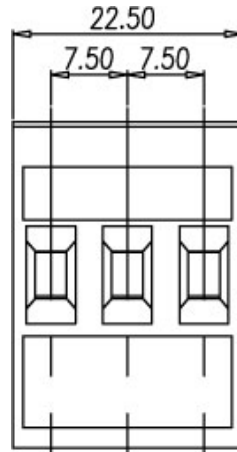


**DIN Rail terminal blocks / TKE series**



**TKE06**



Approval		
Technical Data	UL	IEC
Rated voltage	600V	630V
Rated current	25A	30A
Conductor cross-section, solid (AWG / mm <sup>2</sup> )	30~10 /	
Conductor cross-section, flexible (AWG / mm <sup>2</sup> )	30~10 /	
Rated impulse withstand voltage	5KV	
Torque (N-m)	0.55	
Screw	M3	
Wire strip length	7~9mm	
Insulating material	PA	
TxHxW (mm)	22.5 x 32 x 19.2	

	Accessories	Cat. No.
Marking label		TM03

**TEL:** +886-2-2908-0614

**FAX:** +886-2-2908-8549

**E-mail:** [infor@dinkle.com.tw](mailto:infor@dinkle.com.tw)