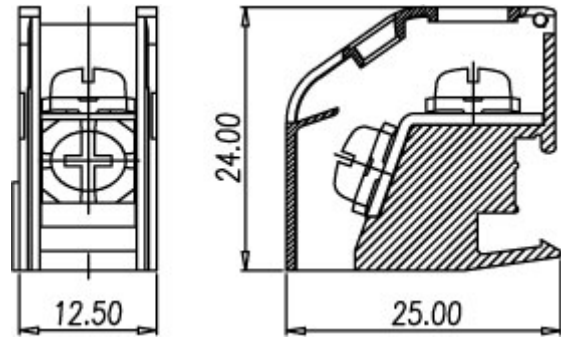


DIN Rail terminal blocks / TKE series



TKE01



Approval		
Technical Data	UL	IEC
Rated voltage	600V	800V
Rated current	30A	24A
Conductor cross-section, solid (AWG / mm ²)	18~12 / 0.5~2.5	
Conductor cross-section, flexible (AWG / mm ²)	/ 0.5~2.5	
Rated impulse withstand voltage	5KV	
Torque (N-m)	1.8	
Screw	M4	
Wire strip length	11~12mm	
Insulating material	PA	
TxHxW (mm)	12.5 x 24 x 25	
Optional color	Cat. No.	
●	TKE01-OR	
●	TKE01-YG	



	Accessories	Cat. No.
Marking label		TM03
Mounting Rail		TKE-R-1000
Tool		



TKE-R