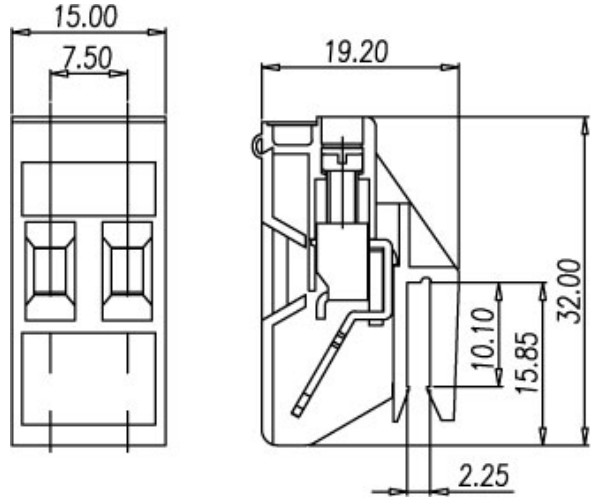


DIN Rail terminal blocks / TKE series



TKE05



Approval		
Technical Data	UL	IEC
Rated voltage	600V	630V
Rated current	25A	30A
Conductor cross-section, solid (AWG / mm ²)	30~10 /	
Conductor cross-section, flexible (AWG / mm ²)	30~10 /	
Rated impulse withstand voltage	5KV	
Torque (N-m)	0.55	
Screw	M3	
Wire strip length	7~9mm	
Insulating material	PA	
TxHxW (mm)	15 x 32 x 19.2	

	Accessories	Cat. No.
Marking label		TM01

TEL: +886-2-2908-0614

FAX: +886-2-2908-8549

E-mail: infor@dinkle.com.tw