

USB Connector Series

KLS1-191-4P USB-AF PCB Right Angle.DIP Erectness Type

MATERIAL

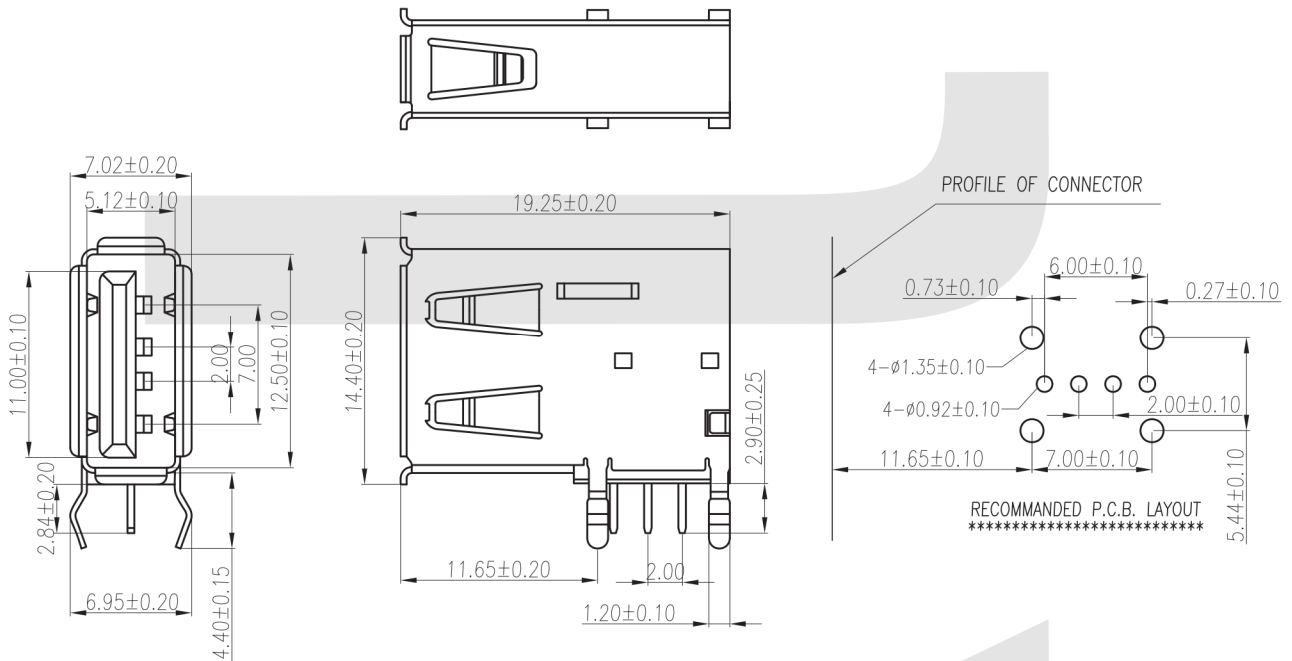
Insulator: PBT Rated UL94V-0
Contacts: Brass
Front Shell: Brass
Back Shell: Cold Rolled Steel
Pin Plated: Gold 3u" over 50u" nickel

ELECTRICAL

Current Rating: 1.5 Amps Max.
Contact Resistance: 30 mΩ Max
Insulation Resistance: 1000 MΩ Min
Dielectric Withstanding Voltage:500 VAC / Minute

MECHANICAL

Mating force: 3.57Kg Max. (35N)
Unmating force: 1.02Kg Min (10N)
Contact Retention: 0.3 Kg / Pin Min. (2.94N)
Operating Temperature: -55°C ~ +105°C



ORDER INFORMATION

Product NO.: KLS1 - 191-4P - B

Pos. NO.
USB-AF TYPE

Color: W=WHITE
B=BLACK