

USB Series

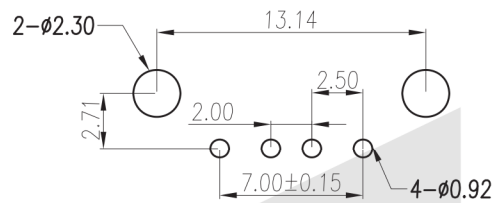
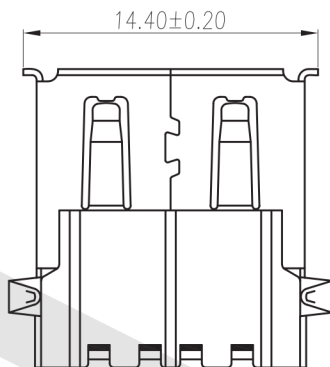
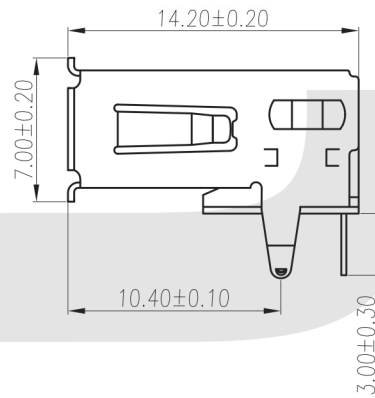
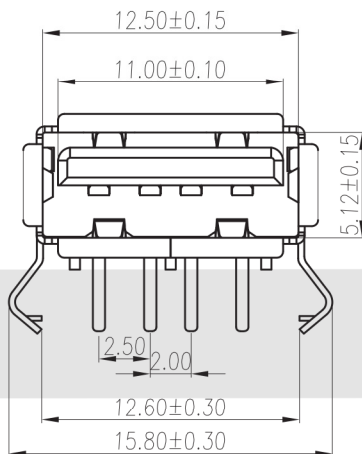
KLS1-181A USB-AF PCB Right Angle.DIP Type

Material:

Housing: 30% Glass filled PBT UL94V-0
Contacts: Phosphor Bronze
Pin Plated: Gold 3u" over 50u" nickel

Electrical Characteristics:

Current Rating: 1 AMP
Insulator Resistance: 1000M Ohm min. at 500 VDC
Dielectric Withstanding Voltage:500 VAC / Minute
Contact Resistance: 30m Ohm max.
Temperature: -55°C ~+105°C



RECOMMENDED PCB LAYOUT

ORDER INFORMATION

Product NO.: KLS1 - 181A - B

Pos. NO.
USB-AF PCB
Right Angle.DIP Type

Color: W=White B=Black