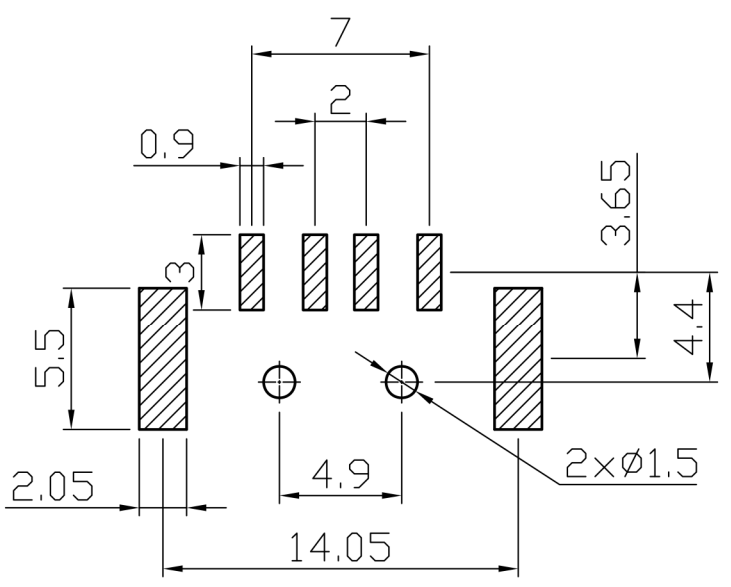
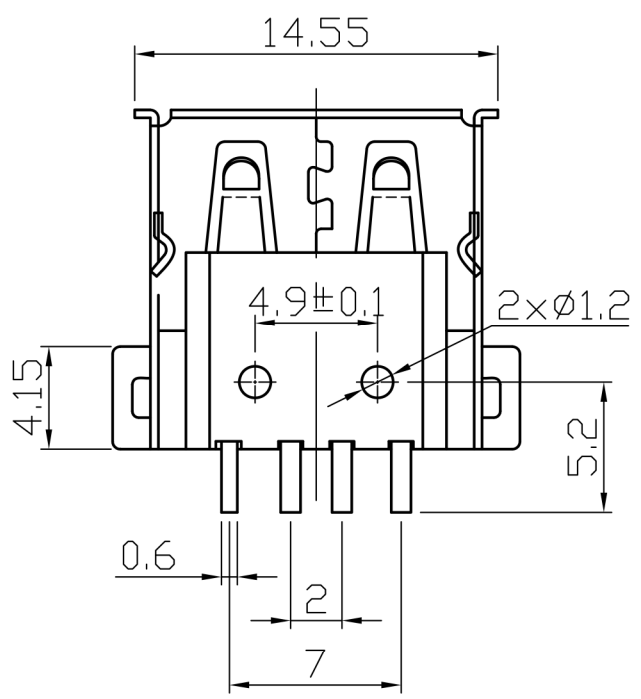
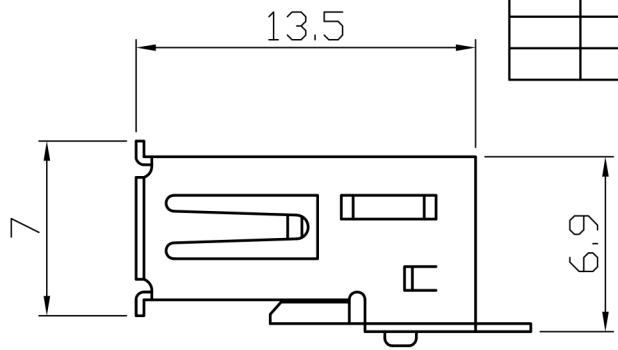
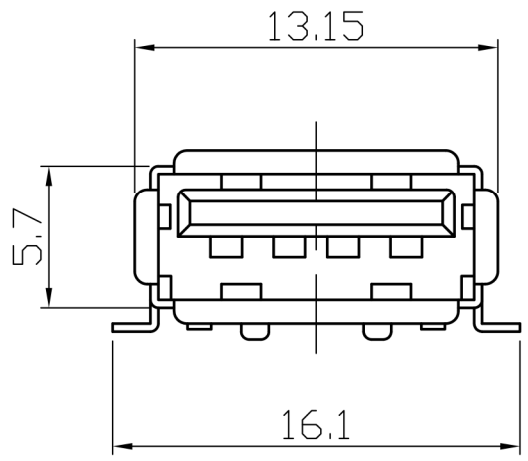


REV.	DESCRIPTION	DRAWN	CHECKED	APPROVED



Electrical Characteristics:  
 Current Rating: 1 AMP  
 Insulator Resistance: 1000M Ohm min. at 500 VDC  
 Dielectric Withstanding Voltage: 500 VAC / Minute  
 Contact Resistance: 30m Ohm max.  
 Temperature: -55°C ~+105°C 电气性能:

Material:  
 Housing: 30% Glass filled PBT/LCP  
 Contacts: C2680  
 Shell: SPCC

Plating:  
 Terminals: gold-plated contact region 1u" welding area is plated with bright Tin 100-200u"  
 Housing: a region-wide nickel-plated 50-80u"

KLS1-181E-W

W White  
 B Black

GENERAL TOLERANCE		ANGLE TOLERANCE	
X.	±0.60	X.	±5°
.X	±0.38	.X	±3°
.XX	±0.25	.XX	±2°

PROJECTION	TITLE
UNITS	mm
SHEET SIZE	A4
SERIES	KLS1-181E

宁波保税区开乐电子有限公司  
 KLS ELECTRONIC CO., LTD.

ITEM	PART NAME	PART NO	MATERILAS	FINISHED	DRAWING NO	DRAWING TYPE	SCALE	SHEET
1	2	3	4	5	6	7	8	