

Connector

USB Series

KLS1-148 USB 3.0 B Type Plug

Description

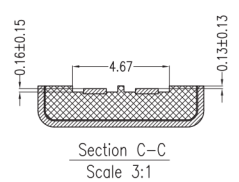
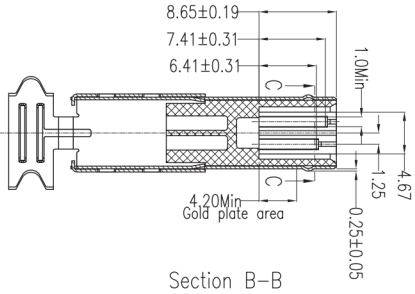
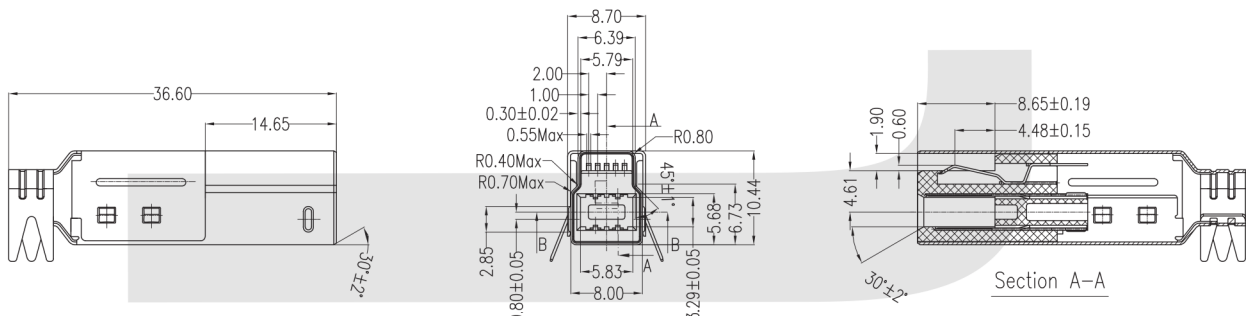
The big bonus of course is speed: Maxing out at 4.8Gbps, USB 3.0 is 10 times faster than the current USB 2.0 spec. While things look considerably different internally if you check out the connectors, old cables and equipment will be backward compatible with all existing USB hardware.

Material:

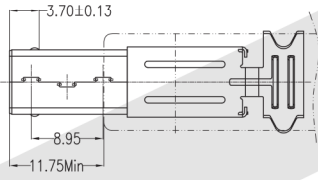
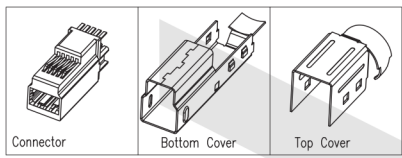
Housing: PBT UL94V-0 Color: Blue
 Contact A: Phosphor Bronze; Gold plating over Nicke on contact ared, Tin plating on Solder Tail.
 Contact B: Brass; Gold plating over Nicke on contact ared, Tin plating on Solder Tail.
 Shell: Spcc, Nickel plating on Solder Tail.

Specification:

Current rating: 1 A Max.
 Dielectric withstanding voltage: 500 V (AC) for 1 min.
 Contact resistance: 30 mΩ Max.
 Insulation resistance: 1000 MΩ Min.
 Temperature range: -55°C ~ 85°C



Pin Number	Signal Name
1	VBUS
2	D-
3	D+
4	GND
5	StdB_SSTX-
6	StdB_SSTX+
7	GND-DRAIN
8	StdB_SSRX-
9	StdB_SSRX+



ORDER INFORMATION

Product NO.: KLS1 - 148 - B

Pos. NO. _____ Color: Blue
 USB 3.0 B Type Plug