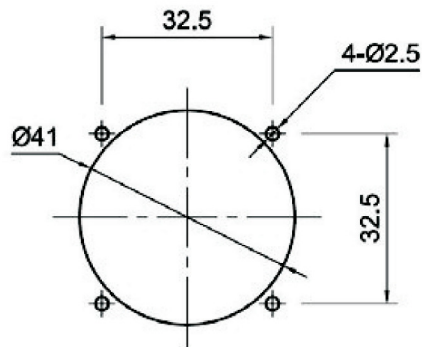
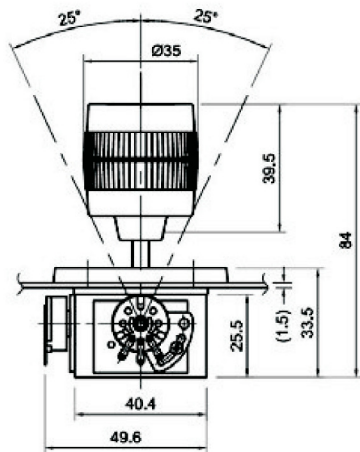


# Potentiometer

## Dimmer Potentiometer Series

KLS4-D300X-R1 Carbon Film Potentiometer



安装孔尺寸 Install hole size



### 一. Electrical characteristic

Parameter	Unit
Resistance Value	5KΩ
Resistance Angle	220°
Resistance Tolerance	±10%
Independent Linearity	±1%
Resolution	Essentially infinite
Temperature Coefficient Resistance	±400 ppm/°C
Output Smoothness	0.5% max
X And Y Axis Electricity Corner	±25°
Z Axis Electricity Corner	±45°
D300 Z Axis Potentiometers、D400 Z Axis Potentiometers And Button Switch Lead	AWG28 Color coded, silver plated, PTFE insulated lead wires standard length 200mm other lengths on request
Insulation Resistance	50 MΩ@ 500 VDC, 60 sec.

### 二. Mechanical data

Parameter	Unit
Operate Torque	X and Y 260gf, Z 350gf (1kg=9.8N, 1N=101.972gf, ±20gf)
Restoration Error Rate	±1%
Lifecycle	500,000 times
Operating Temperature Range	-10°C ~80°C

## ORDER INFORMATION

Product No.: KLS4-D300X-R1

Pos. No. \_\_\_\_\_

\_\_\_\_\_ Dimmer potentiometer Series