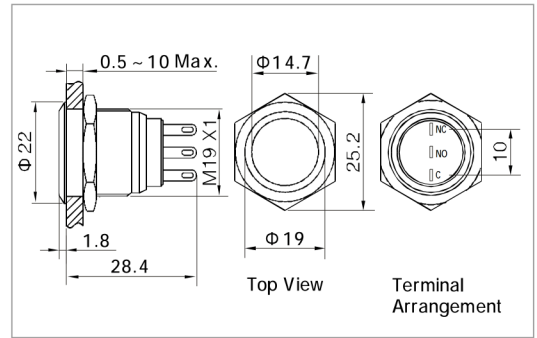


Anti-vandal micro-travel push button



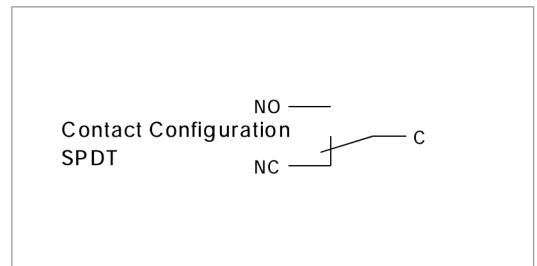
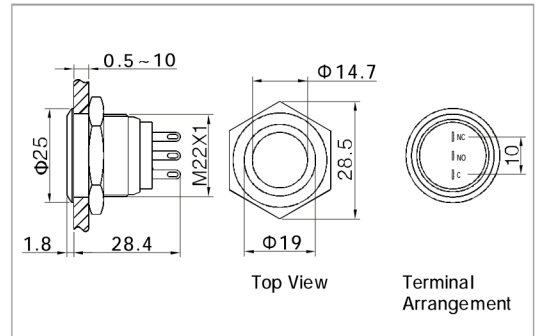
- ⊙ Φ19mm Diameter
- ⊙ Switch Rating: 1A/125VAC
0.5A/250VAC
- ⊙ Contact Configuration: 1NO1NC
- ⊙ Operation Type: Momentary
- ⊙ The Crust Material: Stainless Steel
- ⊙ Travel: 0.5mm
- ⊙ IP Degree: IP67



Anti-vandal micro-travel push button



- ⊙ Φ22mm Diameter
- ⊙ Switch Rating: 1A/125VAC
0.5A/250VAC
- ⊙ Contact Configuration: 1NO1NC
- ⊙ Operation Type: Momentary
- ⊙ The Crust Material: Stainless Steel
- ⊙ Travel: 0.5mm
- ⊙ IP Degree: IP67



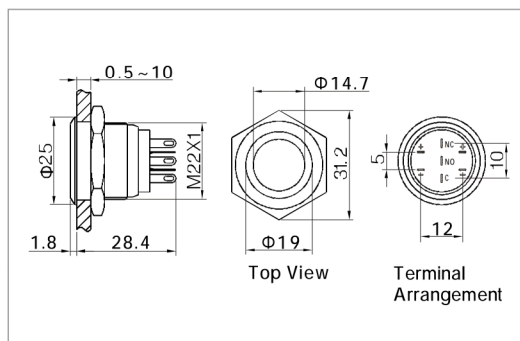
Specification	GQ19-11W	GQ22-11WE	
The Front Shape	Flat Round	Flat Round	
Terminal Type	Pin Terminal(2.4×0.3mm)	Pin Terminal(2.4×0.3mm)	
Switching	C(single-break fast-motion changeover contact)	C(single-break fast-motion changeover contact)	
Max. Switch Rating	1A/125VAC; 0.5A/250VAC	1A/125VAC; 0.5A/250VAC	
Contact Resistance	≤30mΩ	≤30mΩ	
Insulation Resistance	≥1000MΩ	≥1000MΩ	
Dielectric Intensity	2000VAC	2000VAC	
Operating Temp	-20℃ ~ +55℃	-20℃ ~ +55℃	
Mechanical Life	1,000,000 cycles	1,000,000 cycles	
Electrical Life	300,000 cycles	300,000 cycles	
Panel Thickness	0.5~10mm	0.5~10mm	
Torque	5~14Nm	5~14Nm	
Operation Pressure	About 15 N	About 15 N	
Operation Travel	About 0.5mm	About 0.5mm	
IP Degree	IP67	IP67	
Material	Contact	Sliver Alloy	Sliver Alloy
	Button	Stainless Steel	Stainless Steel
	Body	Stainless Steel	Stainless Steel
	Base	PA	PA
	RoHS	Made to order	Made to order

GQ-W

Anti-vandal micro-travel push button

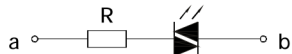


- ⊙ Φ22mm Diameter
- ⊙ Switch Rating: 1A/125VAC
0.5A/250VAC
- ⊙ Contact Configuration: 1NO1NC
- ⊙ Operation Type: Momentary
- ⊙ The Crust Material: Stainless Steel
- ⊙ Ring Illuminated
- ⊙ LED Color(Δ): **R G Y O B W**
- ⊙ LED Voltage(▲): 6V/12V/24V/110V/220V
- ⊙ Travel: 0.5mm
- ⊙ IP Degree: IP67

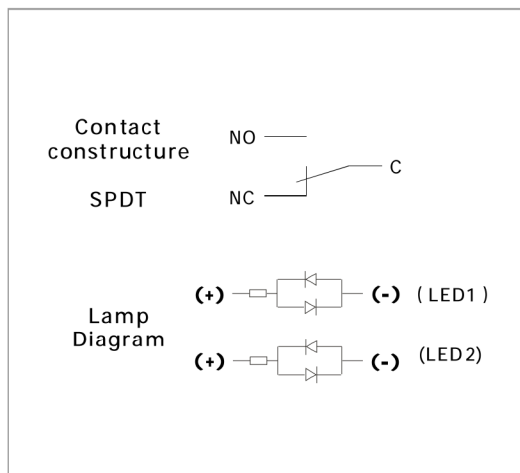


Lamp Ratings

Lamp Type	LED lamp(AC/DC)
Led Color	R G Y O B W
Life	40000 hours (Reference)
Rated Voltage	AC/DC6V, AC/DC 12V, AC/DC24V, AC/DC36V
Rated Current	About 15mA
Dropping Way	Inner resistance (Except for some products)
Lamp Circuit Diagram	Using AC/DC LED lamp, the terminals have no difference of anode and cathode: Using inner resistance, do not need connect outer resistance GQ12 and GQ16 have no inner resistance, need connect outer resistance



Note: DC LED and other voltage can be made to order.



Specification	GQ22-11WE/ΔΔ/▲	
The Front Shape	Flat Round	
Terminal Type	Pin Terminal(2.4×0.3mm)	
Switching	C(single-break fast-motion changeover contact)	
Max. Switch Rating	1A/125VAC; 0.5A/250VAC	
Contact Resistance	≤30mΩ	
Insulation Resistance	≥1000MΩ	
Dielectric Intensity	2000VAC	
Operating Temp	-20°C ~ +55°C	
Mechanical Life	1,000,000 cycles	
Electrical Life	300,000 cycles	
Panel Thickness	0.5 ~ 10mm	
Torque	5 ~ 14Nm	
Operation Pressure	About 15N	
Operation Travel	About 0.5mm	
IP Degree	IP67	
Material	Contact	Sliver Alloy
	Button	Stainless Steel
	Body	Stainless Steel
	Base	PA
	RoHS	Made to order
LED	Lamp type	Two colour Ring illuminated(LED)
	Rated Voltage	6V / 12V / 24V / 110V / 220V
Spec.	Color	R G Y O B W
	Life	40000 hours



Feature:

- ⊙ Whole sealing structure, strong waterproof;
- ⊙ Micro-travel, nice operating hand feeling;
- ⊙ Using inner switch module, reliable and sensitive connection;
- ⊙ Using two lamps; have many LED color to recognize different signal. The same color flame in crescent ring, the different color can generate third mixed flame color at the blending place.
- ⊙ Used for low-current circuit to control the on-off signal of electronic logic circuit.