

# TERMINAL BLOCK Connector



## Pluggable Series

KLS2-EDR-5.00/EDR-5.08 Series Pitch=5.00mm/5.08mm

### Electrical :

Rated voltage: 300V  
Rated current: 15A  
Contact resistance: 20mΩ  
Insulation resistance: 5000MΩ/1000V  
Withstanding Voltage: AC1500V/1Min

### Material

Pin header: Brass, Tin plated  
Housing: PA66, UL94V-0

### Mechanical

Temp. Range: -40°C~+105°C  
MAX Soldering: +250°C for 5 Sec

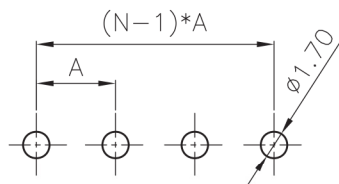
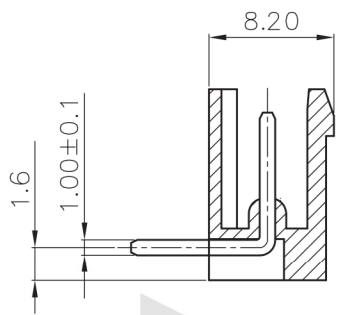
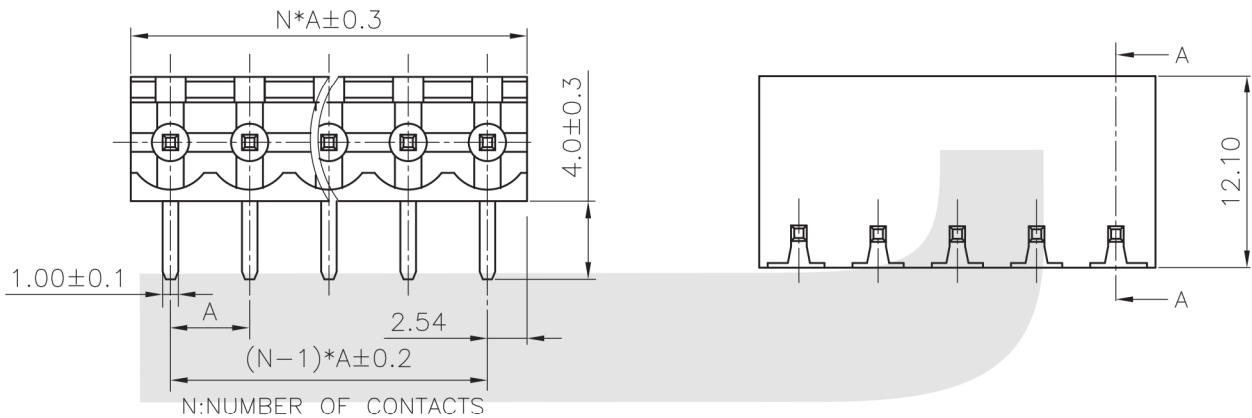


TABLE A

TYPE	Dimension
	A
1	5.00
2	5.08
3	7.50
4	7.62

## ORDER INFORMATION

Product NO.: KLS2-EDR-5.00-XXP X X

Pos. NO. \_\_\_\_\_

Series No. \_\_\_\_\_

Pitch: 5.00=5.00mm 5.08=5.08mm  
7.50=7.50mm 7.62=7.62mm

Number of Pole \_\_\_\_\_

Customer Request \_\_\_\_\_

Color: 1=Gray 2=Blue 3=Black  
4=Green 5=Orange 6=Red  
7=Transparent 8=Yellow 9=White