

TERMINAL BLOCK Connector

Pluggable Series

KLS2-EDVC-5.00/5.08 Series Pitch=5.00mm/5.08mm

Electrical :

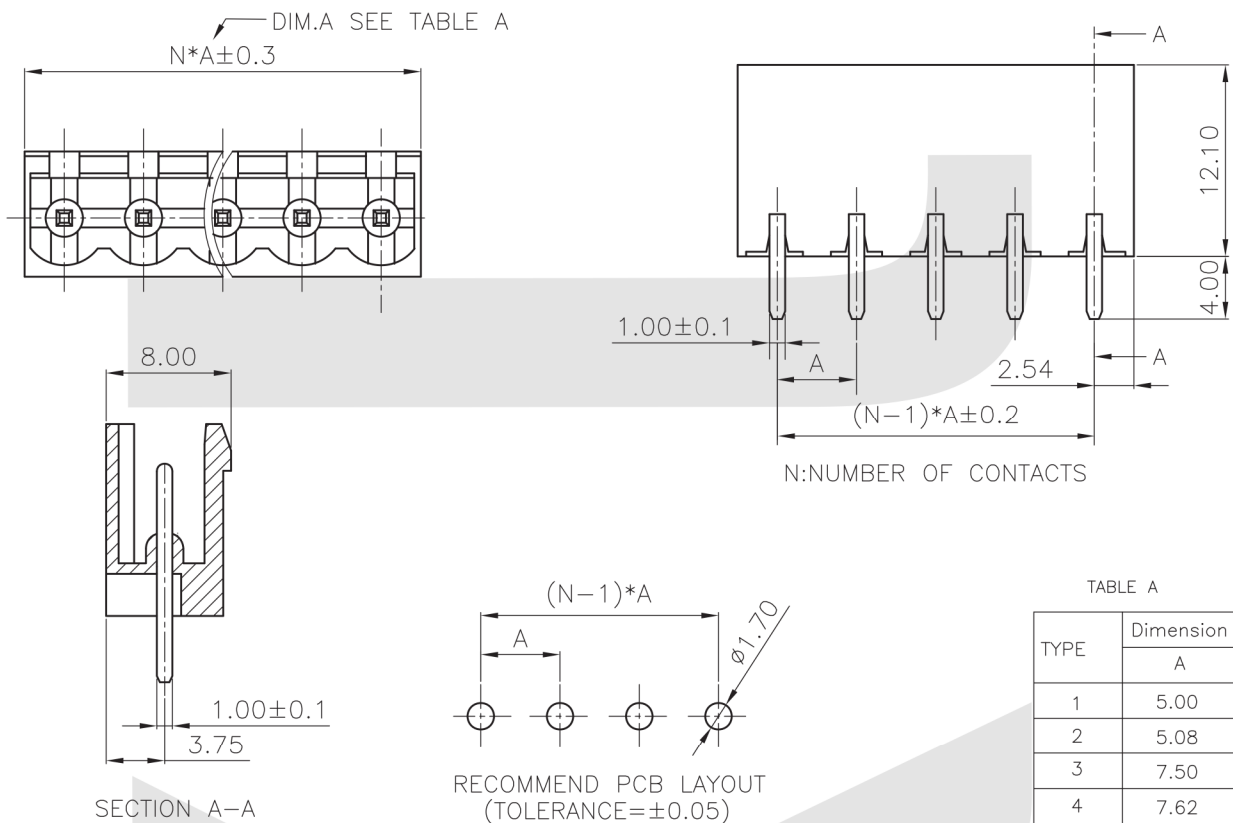
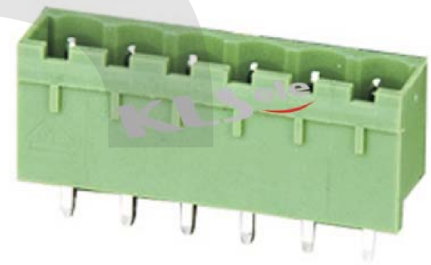
Rated voltage: 300V
Rated current: 15A
Contact resistance: 20mΩ
Insulation resistance: 5000MΩ/1000V
Withstanding Voltage: AC1500V/1Min

Material

Pin header: Brass, Tin plated
Housing: PA66, UL94V-0

Mechanical

Temp. Range: -40°C~+105°C
MAX Soldering: +250°C for 5 Sec



ORDER INFORMATION

Product NO.: KLS2-EDVC-5.00-XXP X X

Pos. NO.

Series No.

Pitch: 5.00=5.00mm 5.08=5.08mm
7.50=7.50mm 7.62=7.62mm

Number of Pole

Customer Request

Color: 1=Gray 2=Blue 3=Black
4=Green 5=Orange 6=Red
7=Transparent 8=Yellow 9=White