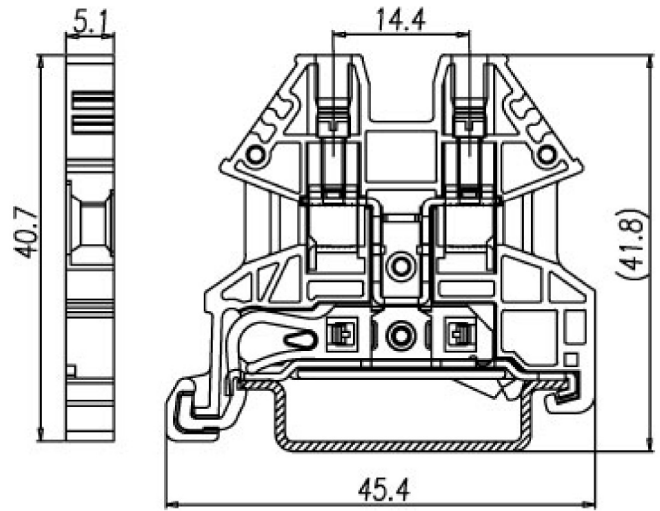
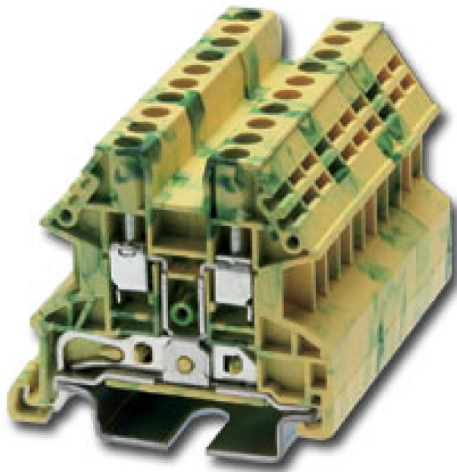


DIN Rail terminal blocks / DK..N-PE series



DK2.5N-PE



Approval		
Technical Data	UL	IEC
Rated voltage		
Rated current		
Conductor cross-section, solid (AWG / mm ²)	28~12 / 0.14~2.5	
Conductor cross-section, flexible (AWG / mm ²)	28~12 / 0.14~2.5	
Rated impulse withstand voltage	6KV	
Torque (N-m)	0.4	
Screw	M2.5	
Wire strip length	8~10mm	
Insulating material	PA	
TxHxW (mm)	5.1 x 40.95 x 45.4	
Optional color	Cat. No.	
●		
●		
●		
●		



	Accessories	Cat. No.
End cover		DK2.5NC-PE
Partition		
Small partition		
Insertion bridge		
Insertion bridge		
Screw-on bridge		
Marking label		TM26
Mounting Rail		TS-35
Tool		