

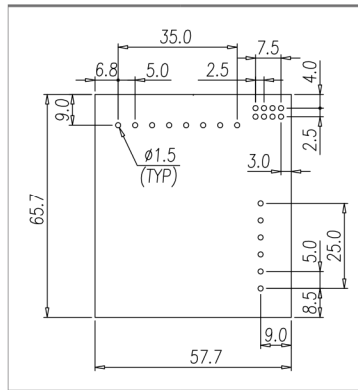
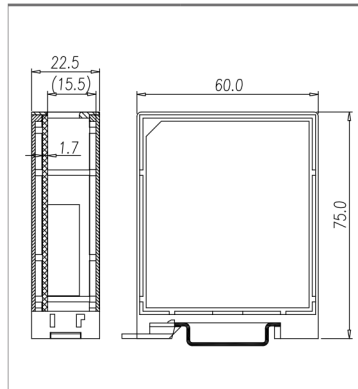


## DM

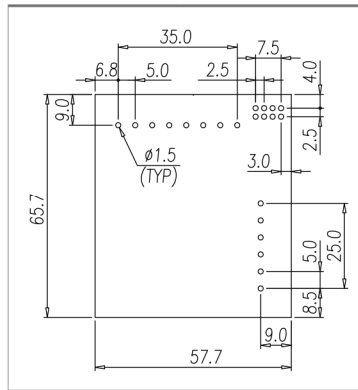
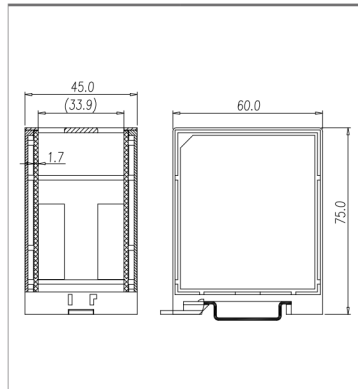
Dinkle electronics enclosures provide different specs. The contact positions range from 4 positions to 28 positions. These series allow customers to design easily and enable to launch their products in the market quickly. Except standard products, Dinkle can also support customers to develop their own specific enclosures with different colors to meet customers' requirements for their finished product. For more information, please feel free to contact us.



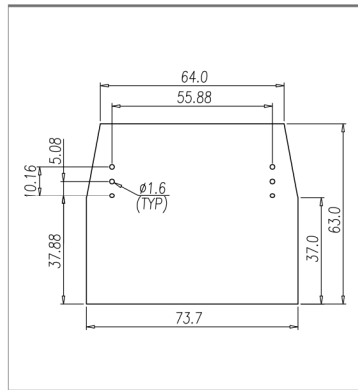
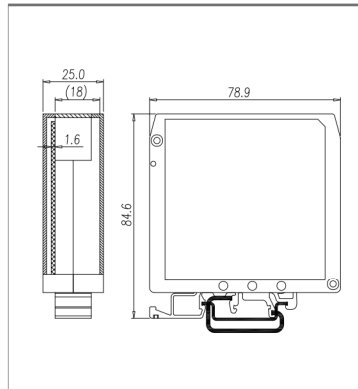
Pole Size	14
PCB Slot	1
Terminal Block	5EHDR-04,08P 5ESDV-04,08P
Solid wire(AWG)	28~12
Stranded wire(AWG)	28~12
Torque (N-m)	
Wire strip length	7~8mm



Pole Size	28
PCB Slot	2
Terminal Block	5EHDR-06,08P 5ESDV-06,08P
Solid wire(AWG)	28~12
Stranded wire(AWG)	28~12
Torque (N-m)	
Wire strip length	7~8mm



Pole Size	6
PCB Slot	1
Terminal Block	DEGM-TB3P
Solid wire(AWG)	24~12
Stranded wire(AWG)	24~12
Torque (N-m)	4
Wire strip length	7~8mm



DEGM-TB3P

**DEGM-06P**



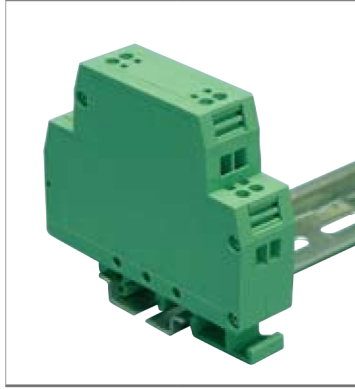
Pole Size	12
PCB Slot	2
Terminal Block	DEGM-TB3P
Solid wire(AWG)	24~12
Stranded wire(AWG)	24~12
Torque (N-m)	4
Wire strip length	7~8mm

**DEGM-12P**



Pole Size	12
PCB Slot	1
Terminal Block	2EHDR-12P 2ESDV-12P
Solid wire(AWG)	24~12
Stranded wire(AWG)	24~12
Torque (N-m)	4
Wire strip length	7~8mm

**DEG-02P**

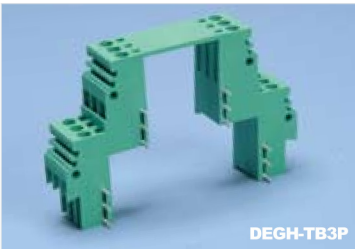
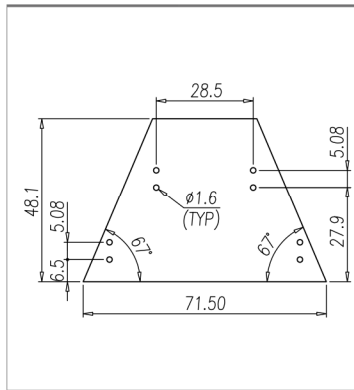
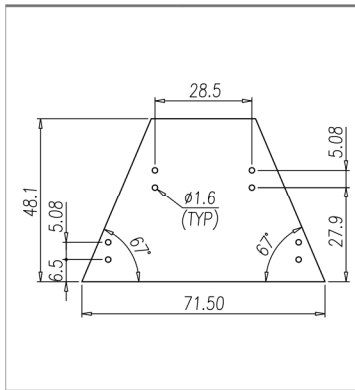
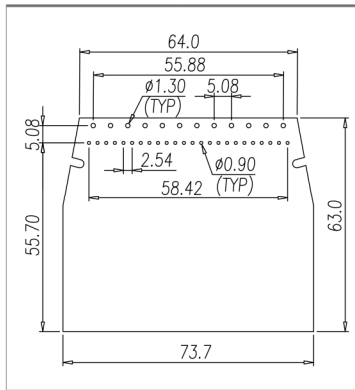
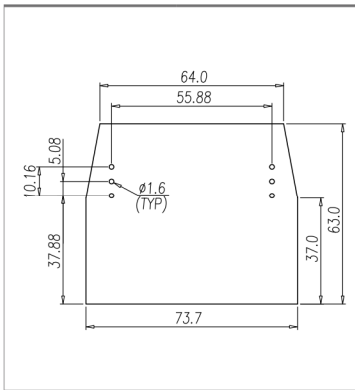
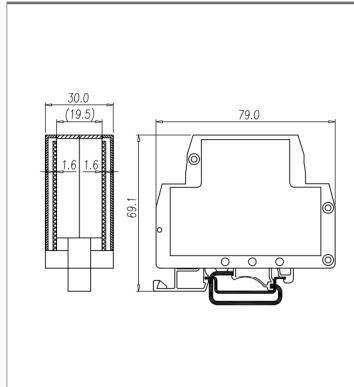
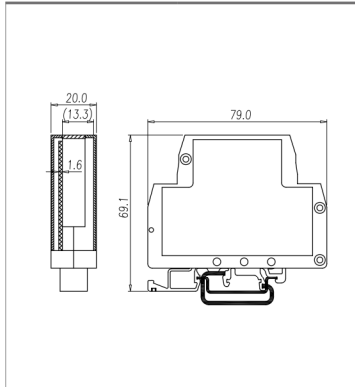
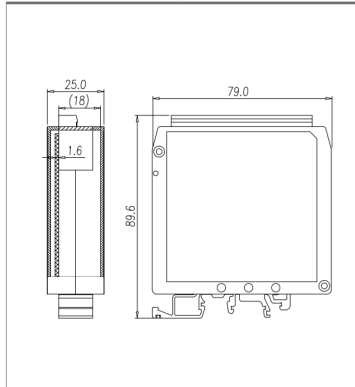
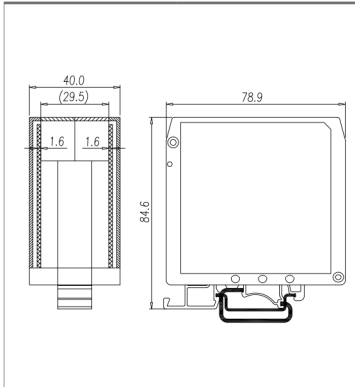


Pole Size	8
PCB Slot	1
Terminal Block	DEG-TB2P
Solid wire(AWG)	24~12
Stranded wire(AWG)	24~12
Torque (N-m)	4
Wire strip length	7~8mm

**DEG-04P**



Pole Size	16
PCB Slot	2
Terminal Block	DEG-TB2P
Solid wire(AWG)	24~12
Stranded wire(AWG)	24~12
Torque (N-m)	4
Wire strip length	7~8mm



DEGH-TB3P



DEG-TB2P

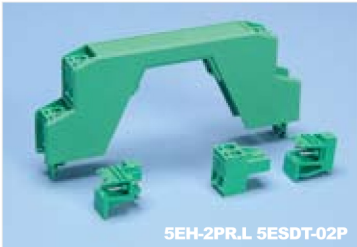
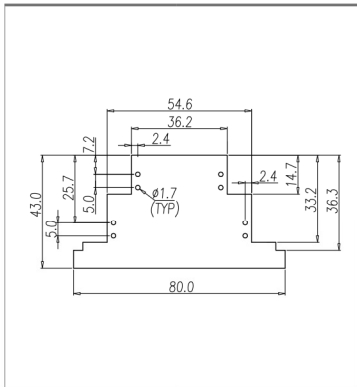
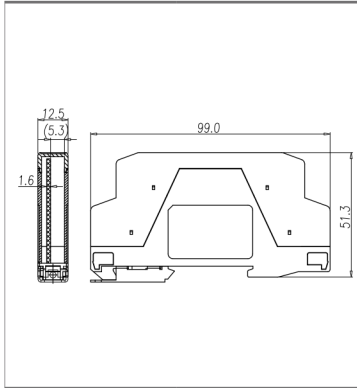


DEG-TB2P

**DMES-T2PGG**



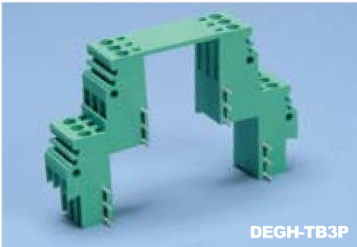
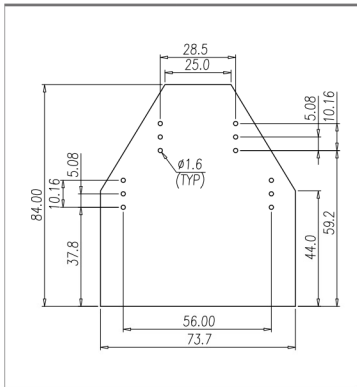
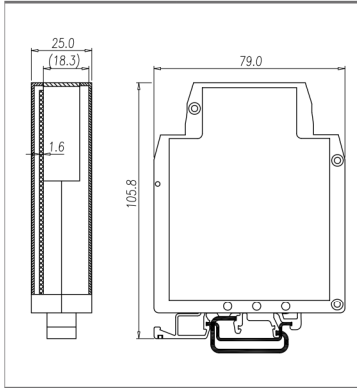
Pole Size	16
PCB Slot	1
Terminal Block	5EH-2PR.2PL 5ESDT-02P
Solid wire(AWG)	28~12
Stranded wire(AWG)	28~12
Wire strip length	7~8mm



**DEGH-03P**



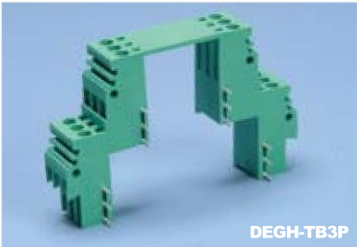
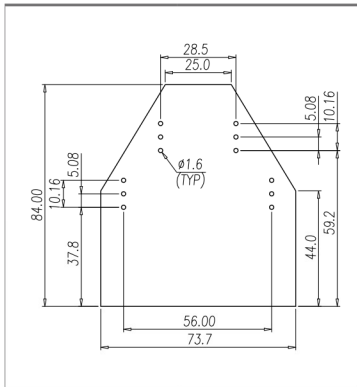
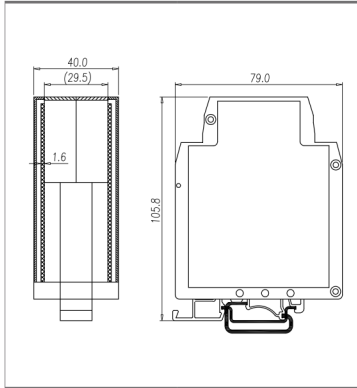
Pole Size	12
PCB Slot	1
Terminal Block	DEGH-TB3P
Solid wire(AWG)	24~14
Stranded wire(AWG)	24~14
Wire strip length	7~8mm



**DEGH-06P**



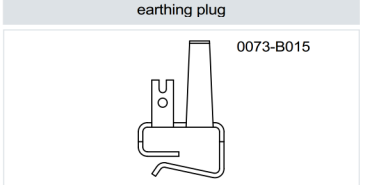
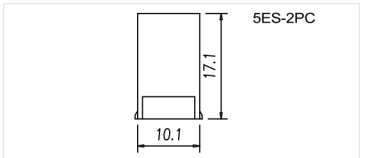
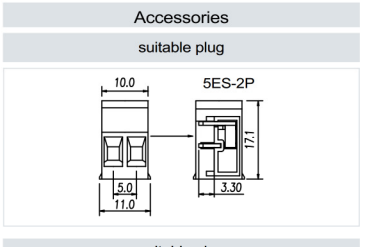
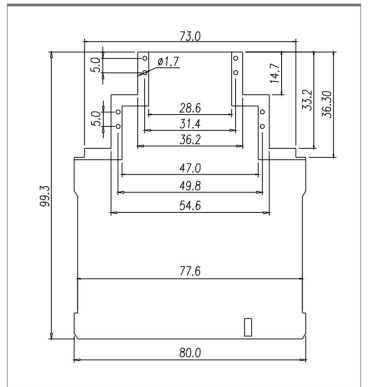
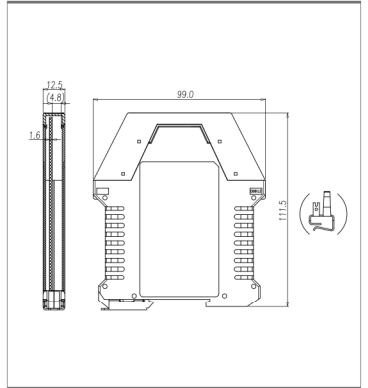
Pole Size	24
PCB Slot	2
Terminal Block	DEGH-TB3P
Solid wire(AWG)	24~14
Stranded wire(AWG)	24~14
Wire strip length	7~8mm



**DMEN-S2PGG / DMEN-S2PGG-PE**

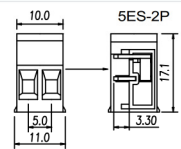


Pole Size	8
PCB Slot	1
Terminal Block	 5ES-2PR.2PL
Solid wire(AWG)	22~14
Stranded wire(AWG)	22~14
Wire strip length	7~8mm

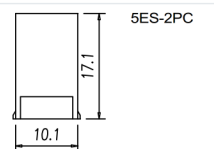


**Accessories**

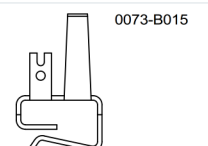
**suitable plug**



**suitable plug**



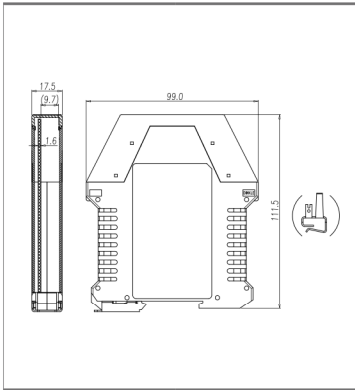
**earthing plug**



**DMEN-S3PGG / DMEN-S3PGG-PE**



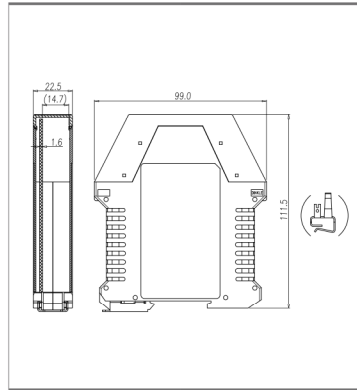
Pole Size	12
PCB Slot	1
Terminal Block	5ES-3PR.3PL
Solid wire(AWG)	22~14
Stranded wire(AWG)	22~14
Wire strip length	7~8mm



**DMEN-S4PGG / DMEN-S4PGG-PE**



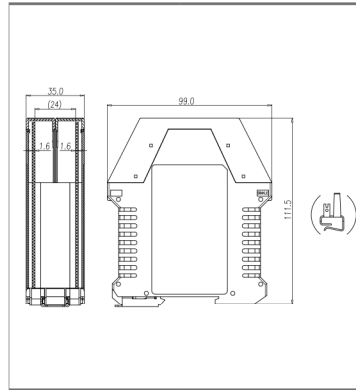
Pole Size	16
PCB Slot	1
Terminal Block	5ES-4PR.4PL
Solid wire(AWG)	22~14
Stranded wire(AWG)	22~14
Wire strip length	7~8mm



**DMEN-S6PGG / DMEN-S6PGG-PE**



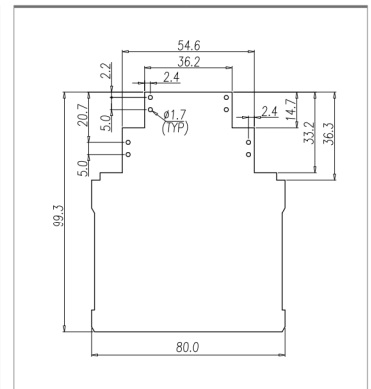
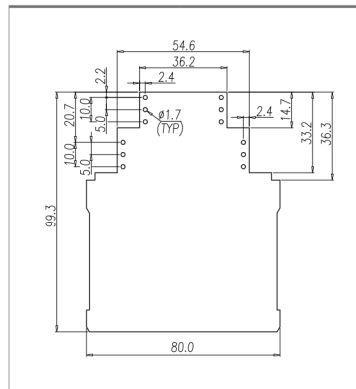
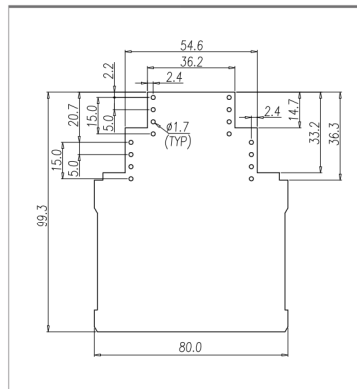
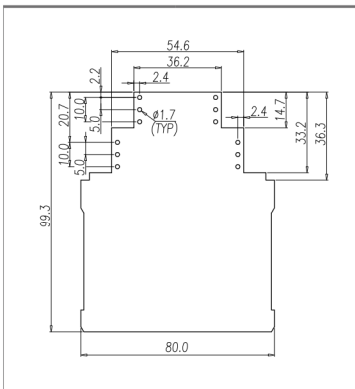
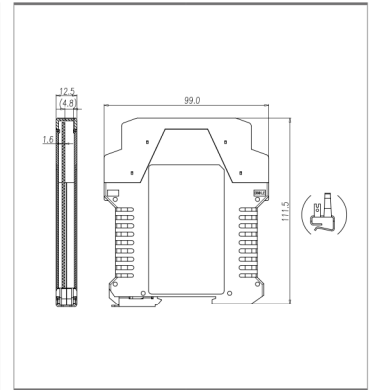
Pole Size	24
PCB Slot	2
Terminal Block	5ES-3PR.3PL
Solid wire(AWG)	22~14
Stranded wire(AWG)	22~14
Wire strip length	7~8mm



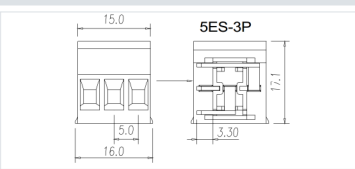
**DMEN-T2PGG / DMEN-T2PGG-PE**



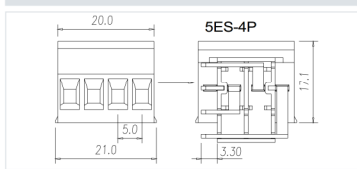
Pole Size	8
PCB Slot	1
Terminal Block	5EH-2PR.2PL 5ESDT-02P
Solid wire(AWG)	28~12
Stranded wire(AWG)	28~12
Wire strip length	7~8mm



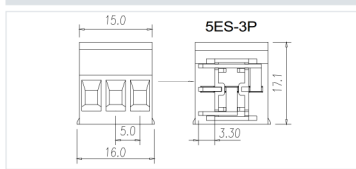
**Accessories**



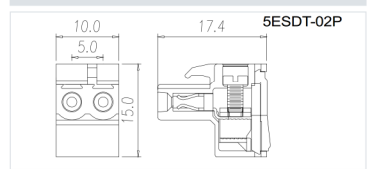
**Accessories**



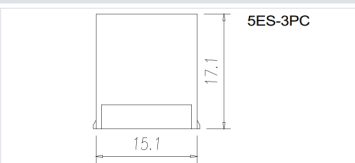
**Accessories**



**Accessories**



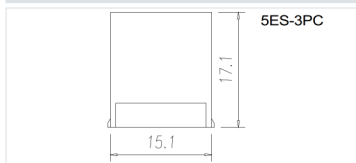
**suitable plug**



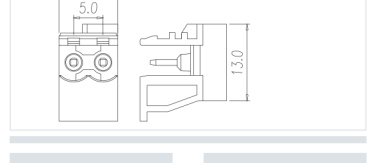
**suitable plug**



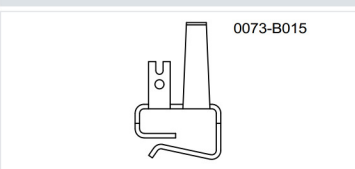
**suitable plug**



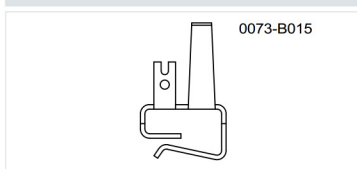
**suitable plug**



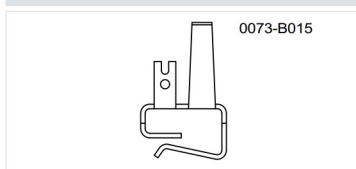
**earthing plug**



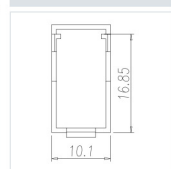
**earthing plug**



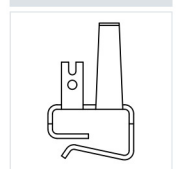
**earthing plug**



**suitable plug**



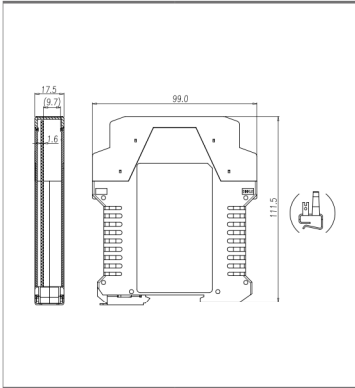
**earthing plug**



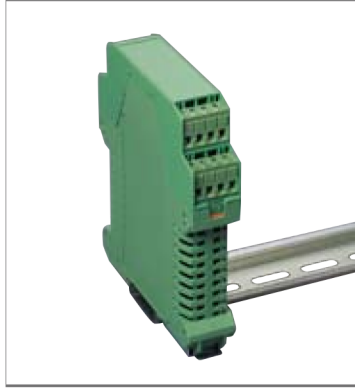
**DMEN-T3PGG / DMEN-T3PGG-PE**



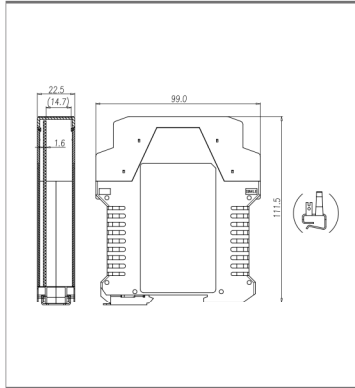
Pole Size	12
PCB Slot	1
Terminal Block	5EH-3PR.3PL 5ESDT-03P
Solid wire(AWG)	28~12
Stranded wire(AWG)	28~12
Wire strip length	7~8mm



**DMEN-T4PGG / DMEN-T4PGG-PE**



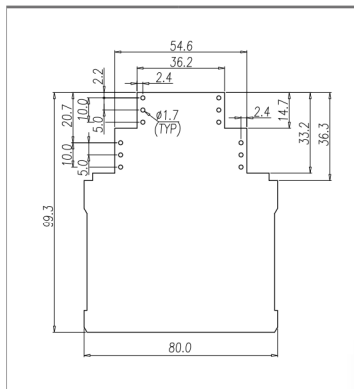
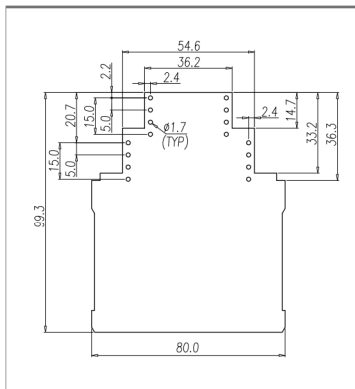
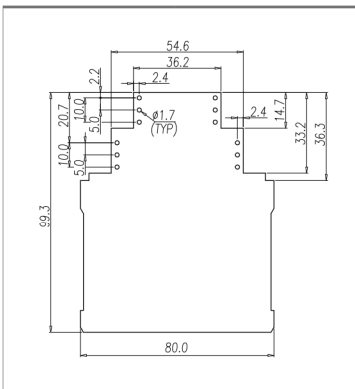
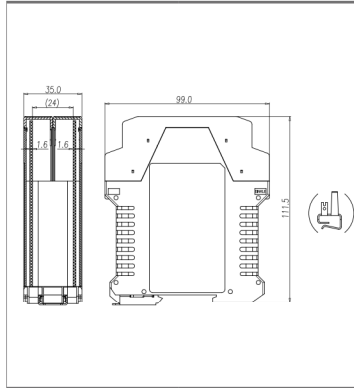
Pole Size	16
PCB Slot	1
Terminal Block	5EH-4PR.4PL 5ESDT-04P
Solid wire(AWG)	28~12
Stranded wire(AWG)	28~12
Wire strip length	7~8mm



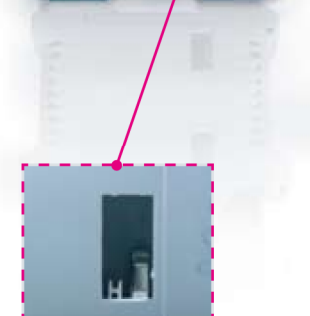
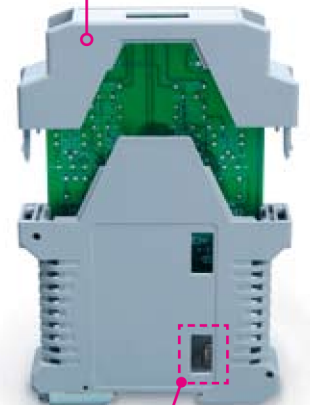
**DMEN-T6PGG / DMEN-T6PGG-PE**



Pole Size	24
PCB Slot	2
Terminal Block	5EH-3PR.3PL 5ESDT-03P
Solid wire(AWG)	28~12
Stranded wire(AWG)	28~12
Wire strip length	7~8mm

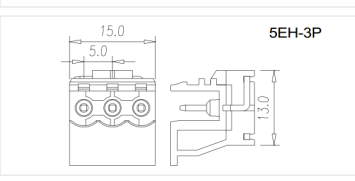
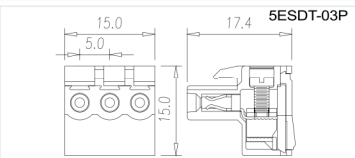


The standard colour of the housing is in green. Any special colour can be requested by customer's specific requirement.

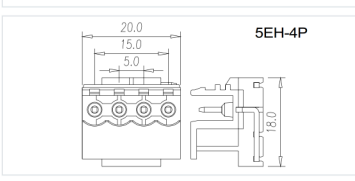
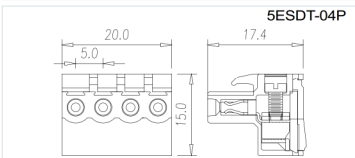


(PE) Means the PCB can be installed with the grounding metal clamp. Therefore, PCB can connect to rail to achieve grounding function.

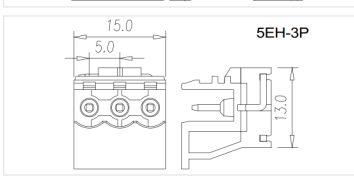
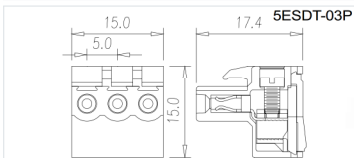
**Accessories**  
suitable plug



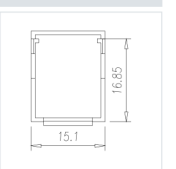
**Accessories**  
suitable plug



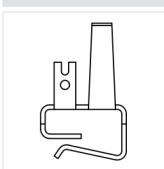
**Accessories**  
suitable plug



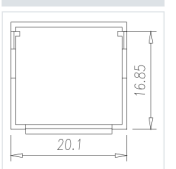
suitable plug  
5EH-3PC



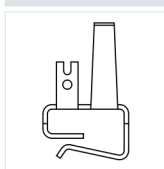
earthing plug  
0073-B015



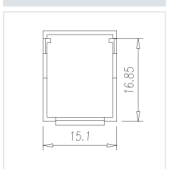
suitable plug  
5EH-4PC



earthing plug  
0073-B015



suitable plug  
5EH-2PC



earthing plug  
0073-B015

