

1



Ordering Key

G R 30 48 D A
1 2 3 4 5 6

- 1: Greegoo brand;
- 2: Switch type: S - small size (1-5A),
D - single phase, T - three phase
M: dual output;
- 3: Output method, blank - triac
output, H - SCR output;
- 4: Rated working current (A);
- 5: Rated working voltage (V) (24:240
V,44:440V,48:480V);
- 6: Control method Z - Zero, R -
Random;
- 7: Control voltage D: 3-8V, D1 -
4-16VDC, D3 - 3-32VDC, A2 -
90-250VAC.

GM 10 to 40 Amps Dual SSR

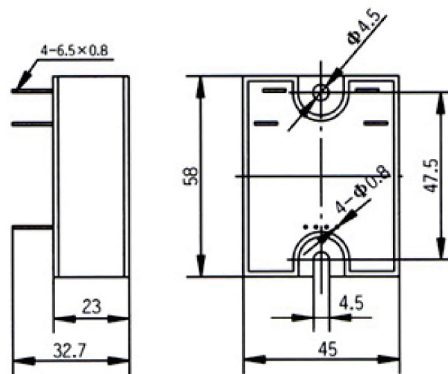
GM series Solid State Relays are Dual AC relays, Triac or SCR Output. The Triac version of the zero switching relay is an inexpensive solution for resistive loads. The zero switching relay switches on when the AC sine voltage just crosses zero, and switches off when the current crosses zero. The SCR Output is Dual SCR Power Hybrid technology provides highly efficient thermal management for greatly increased cyclic life.

- Rated operational current 10+10 to 40+40 Amps.
- Rated operational voltage 240V
- Input Voltage Range 4 to 16 Vdc.
- 2500 Vrms Optical Isolation.(input/output)
- Both "Zero Voltage" & phase controllable "Random Switching" versions.

Selection guide

Voltage	Controlvoltage	Rated operational current			
		10Amp	15Amp	25Amp	40Amp
240 VAC "Z"	4~16 Vdc	GM1024ZD1	GM1524ZD1	GM2524ZD1	GM4024ZD1
240 VAC "R"	4~16 Vdc	GM1024RD1	GM1524RD1	GM2524RD1	GM4024RD1
440 VAC "Z"	4~16 Vdc	GM1044ZD1	GM1544ZD1	GM2544ZD1	GM4044ZD1
440 VAC "R"	4~16 Vdc	GM1044RD1	GM1544RD1	GM2544RD1	GM4044RD1

Dimension



Specifications

PARAMETER	Units	Specification Limits			
		10A	15A	25A	40A
Input Parameter ① D1					
Control Voltage Range	Vdc	4 to16	4 to16	4 to16	4 to16
Input Current (Max.) @=5V/12V	mAdc	10/20	10/20	10/20	10/20
Must Turn On Voltage	Vdc	4	4	4	4
Must Turn Off Voltage	Vdc	1	1	1	1
Reverse Voltage (Max.)	Vdc	32	32	32	32
Display LED		yes	yes	yes	yes

OUTPUT PARAMETER ②	Units	Specification Limits			
		10+10	15+15	25+25	40+10
Load Current Range	Arms	10+10	15+15	25+25	40+10
Surge Current, 20 mSec (Max.)	Arms	85	115	230	400
Load Voltage Range	Vrms	24 to 280			
Load Voltage Range	Vrms	28 to 280			
TRIAC Over voltage	Vpk	>600			
Frequency Range	Hz	47 to 63			
Off State dv/dt (Min)	V/μsec	200			
Off State dv/dt (Min)	V/μsec	500			
Off State Leakage Current (Max.)	mArms	<8			
On State Voltage Drop (Max.)	Vrms	1.6			
Thermal Resistance, (Rthjc)	°C/W	2.5	2.5	1.3	1.3
Turn On Time (Max.)	Cycle	1/2			
Turn Off Time (Max.)	mSec				

COUPLING PARAMETER		
Dielectric (Input/Output)	Vrms	2500
Dielectric (Input-Output/Base)	Vrms	2500
Capacitance	pf	10

GENERAL SPECIFICATIONS	
Ambient temperature range: operating or Storage -30 to +80°C	
Weight: (max.): Aluminum Base plate: 130g; Copper Base plate: 99g	
Base plate: Aluminum or Copper, nickel-plated	
Case Color: Black	