

# FUSE AND FUSE HOLDER

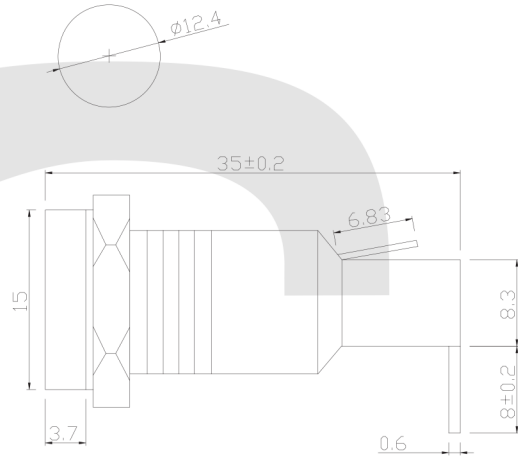


## Fuse holder Series



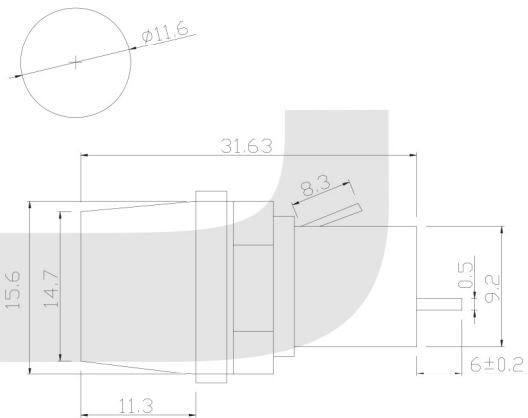
**KLS5-258**

Suitable fuse:5.2×20mm  
Maximum rated value:15A.250V.AC  
Casing:High temperature resisting flame-retarded plastic  
Pole:Silver-plating brass



**KLS5-259**

Suitable fuse:5.2×20mm  
Maximum rated value:30A.250V.AC  
Casing:Bakelite  
Pole:Silver-plating brass



**KLS5-260**

Suitable fuse:5.2×20mm  
Maximum rated value:30A.250V.AC  
Casing:Bakelite  
Pole:Silver-plating brass

