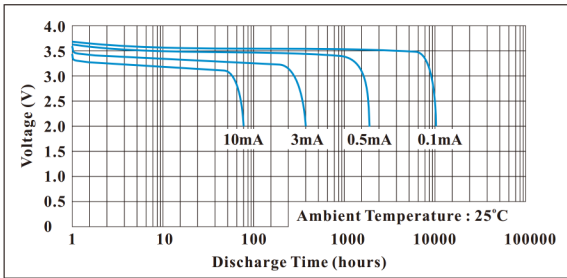


LITHIUM THIONYL CHLORIDE BATTERY

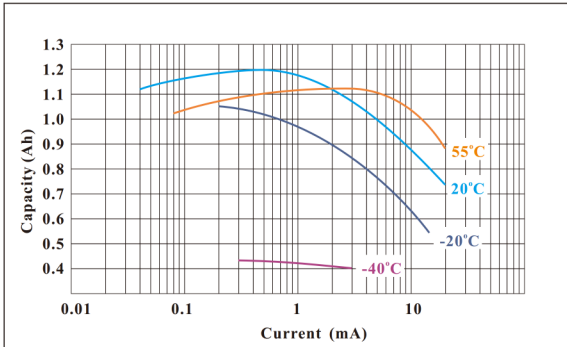
SPECIFICATIONS

Model	: ER14250-1L
Description	: Lithium Thionyl Chloride battery (LiSOCl ₂), size '1/2AA', comply to IEC 80086-4
Nominal Capacity	: 1200mAh at 0.5mA discharge at 25°C to 2.0V
Nominal Voltage	: 3.6 V
Cut-Off Voltage	: 2.0 V
Weight	: 10 g
Estimated Shelf-Life	: 10 years (for reference only, tested by storage at 60°C for 200 days)
Recommended Drain	: Standard : 0.5mA Continuous : Max. 40mA at 20°C 1s Pulse : Max. 100mA (conditions apply)
Operating Temperature	: -40°C to 85°C
Storage Temperature	: Max. 30°C
Service Life	: 95hrs at 10mA continuous discharge at 20°C 2400hrs at 0.5mA continuous discharge at 20°C 10000 hrs at 0.1mA continuous discharge at 20°C
Warning	: Please take into consideration of passivation in product design process. For some equipments, de-passivation may be needed before usage. Do not recharge, over-discharge, short circuit, disassemble, direct soldering, put into fire, put into water, use inverse polarity, mix new and old battery. May cause explosion, burning, or leaking.

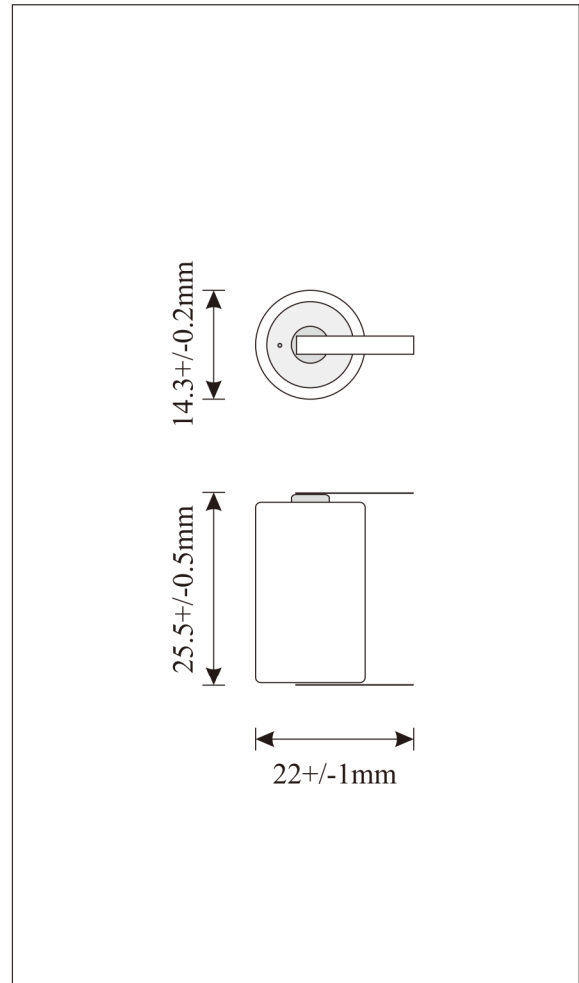
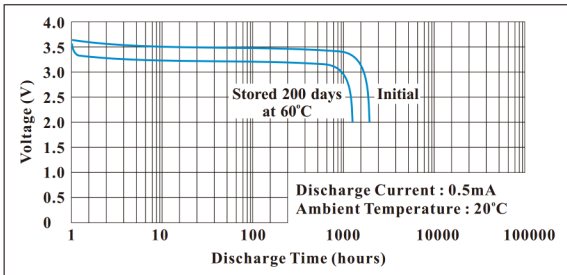
Typical Discharge Characteristics



Typical Discharge Characteristics



Typical Storage Characteristics



Information is for reference only and based on battery storage less than 1 year.
Performance varies with time, discharge and storage condition.

Model : ER14250-1L
Version : 2.51

WELL LINK
INDUSTRIAL LIMITED

A223RL40