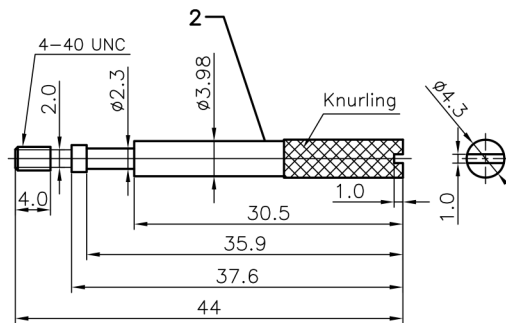
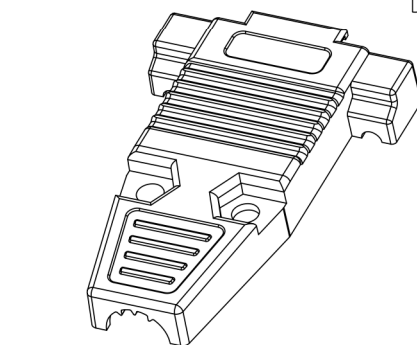
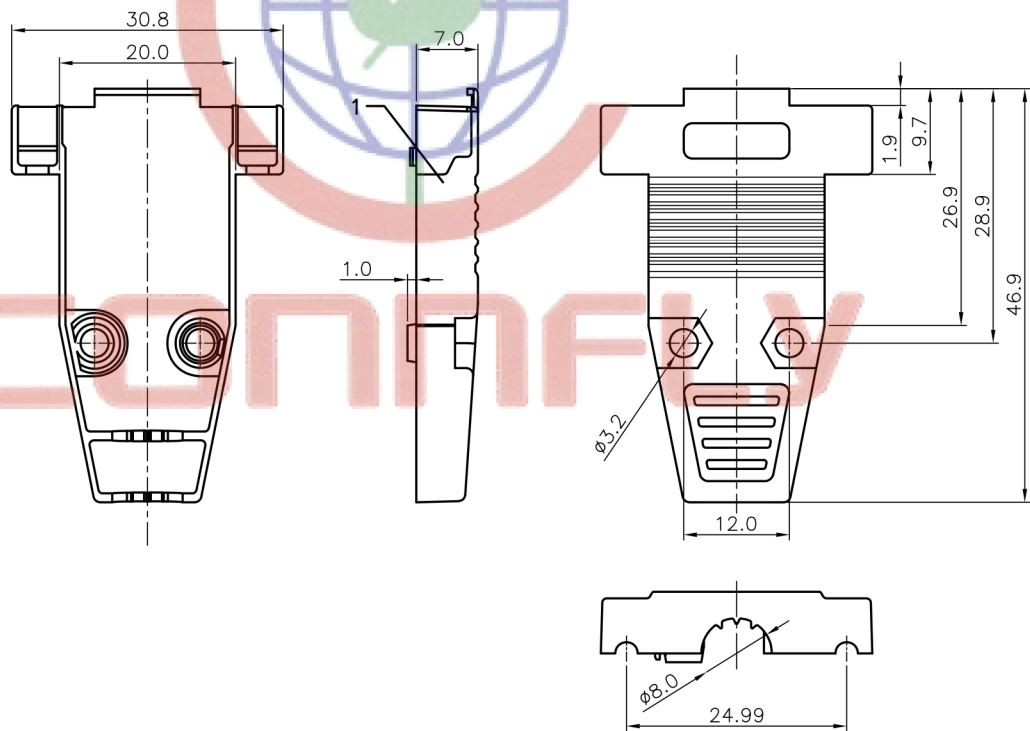


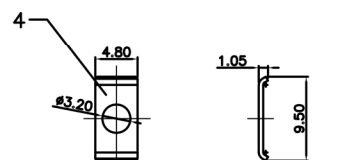
BOM LIST			
ITEM	PART NAME	Q'ty	NOTES
1	METAL HOOD	2	
2	LONG BOLT	2	
3	SCREW	2	
4	SMALL WASHER	2	
5	NUT	2	
6	SHORT BOLT	2	

REV.	DESCRIPTION	DRAWN	CHECKED	APPROVED
A	NEW RELEASE	LJH 03/02/07'	~	LJC 03/02/07'
B	整理英制短螺丝尺寸	YCH 07/18/08'	~	

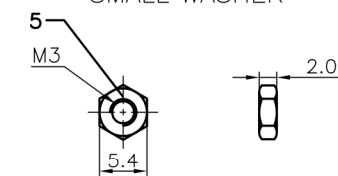
NOTES:
 1. PART NUMBER CODE:
 DS1047 - 09 X X X
 Bolt type
 L: Long
 S: Short
 Packing type
 1: Mix packing
 2: Separation packing
 Cover Material
 M: Metal(Znic alloy)
 Positions
 09: 9pin



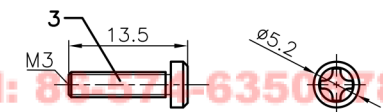
Long BOLT



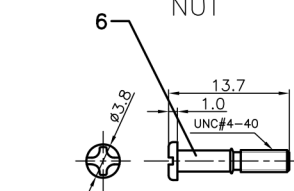
SMALL WASHER



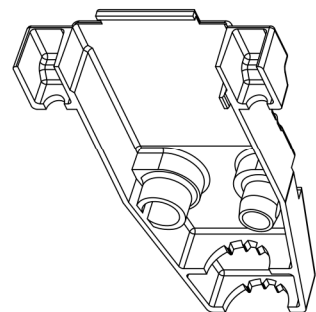
NUT



SCREW



Short BOLT



Tel: 86-574-63510817
 Fax: 86-574-63510817

GENERAL TOLERANCE		ANGLE TOLERANCE		PROJECTION		TITLE	
X.	±0.60	X.	±5°	UNITS	mm	D-SUB 9pin Metal Cover	
.X	±0.38	.X	±3°	SHEET SIZE	A4	SERIES	DS1047 SERIES
.XX	±0.25	.XX	±2°	DRAWING TYPE COSTOMER			
DRAWING TYPE		COSTOMER		SCALE			
SCALE		1:1		SHEET 1 OF 1			
DRAWING NO.		C-DS1047-09XXX-B					

晨翔电子有限公司
 CONNFLY CONNFLY ELECTRONIC CO. LTD