

1



GR 1 to 7 KW Motor Reversing SSR

Motor reversing Solid State Relays for 3-phase industrial motors up to 7 KW.

- Operational voltage: Up to 530VAC rms
- High performance /low cost circuit design.
- Built-in interlock function
- AC or DC control voltage
- LED indication for direction
- Insulation: Reed relay or opt coupler (input-output)2500VAC rms
- Control voltage range:10~30 Vdc or 115 Vac
- This series with Dual SCR Power Hybrid technology provide highly efficient thermal management for greatly increased cyclic life.

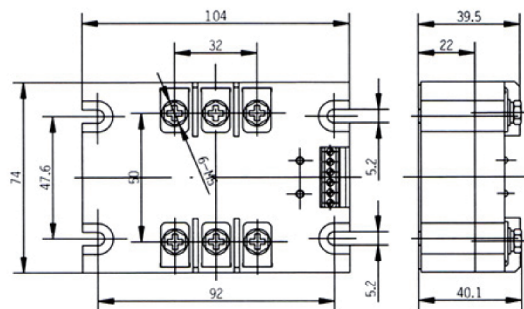
Type Selection

- Switching mode R: reversing relay
- Motor load power 10:1KW;30:3KW;50:5KW
- Rated operational voltage 48:480V; 53:530 V
- Switched phases D: Two leg models. T: Three leg models
- Control voltage D:10—30Vdc; A:115Vac

Selection guide

Voltage	Control voltage	Load power			
		1kW	3kW	5kW	7kW
480 VACrms	10 to 30Vdc	GR1048DD	GR3048DD	GR5048DD	GR7048DD
		GR1048TD	GR3048TD	GR5048TD	GR7048TD
	115Vac	GR1048DA	GR3048DA	GR5048DA	GR7048DA
		GR1048TA	GR3048TA	GR5048TA	GR7048TA
530 VACrms	10 to 30Vdc	GR1053DD	GR3053DD	GR5053DD	GR7053DD
		GR1053TD	GR3053TD	GR5053TD	GR7053TD
	115Vac	GR1053DA	GR3053DA	GR5053DA	GR7053DA
		GR1053TA	GR3053TA	GR5053TA	GR7053TA

Dimension



Specifications

PARAMETER	Units	Specification Limits			
		1KW	3KW	5KW	7KW
Model No. GR					

INPUT SPECIFICATIONS ①	DC				
Control Voltage Range	Vdc	10 to 30	10 to 30	10 to 30	10 to 30
Input Current(Max.) @=12V	mAdc	30	30	30	30
Must Turn On Voltage	Vdc	8	8	8	8
Must Turn Off Voltage	Vdc	4	4	4	4
Display LED		yes	yes	yes	yes

INPUT SPECIFICATIONS ②	AC				
Control Voltage Range	Vdc	115	115	115	115
Input Current(Max.)	mAdc	35	35	35	35
Must Turn On Voltage	Vdc	85	85	85	85
Must Turn Off Voltage	Vdc	30	30	30	30
Display LED		yes	yes	yes	yes

OUTPUT SPECIFICATIONS ③					
Load Current Range(Max.)	Arms	3x25	3x40	3x60	3x80
Surge Current,20 mSec (Max.)	Arms	250	500	600	1000
Load voltage Range	Vrms	24 to 530			
Transient Over voltage(Max.)	Vpk	≥1200			
Frequency Range	Hz	47 to 63			
Off State dv/dt(Min.)	V/μSec	500			
Off-State Leakage Current(Max.)	mArms	≤8			
On State Voltage Drop(Max.)	Vrms	1.6	1.6	1.8	1.8
Thermal Resistance (Rthjc)	°C/W	0.25	0.22	0.22	0.17
Turn On Time(Max.)	Cycle	1/2			
Turn Off Time(Max.)	Cycle				
Turn On Time(Max.)"A"	mSec	40			

COUPLING PARAMETER		
Dielectric strength(Input/Output)	Vrms	2500
Surge Current,20 mSec (Max.)	Vrms	
Load voltage Range	pf	10

GENERAL SPECIFICATIONS	
Ambient temperature range: Operating or Storage	-30 to +80°C
Weight (typical)	430g
Base plate:	Copper, nickel-plated
Mounting Dimension: LxWxH	104x74x39.5mm