

LC SERIES

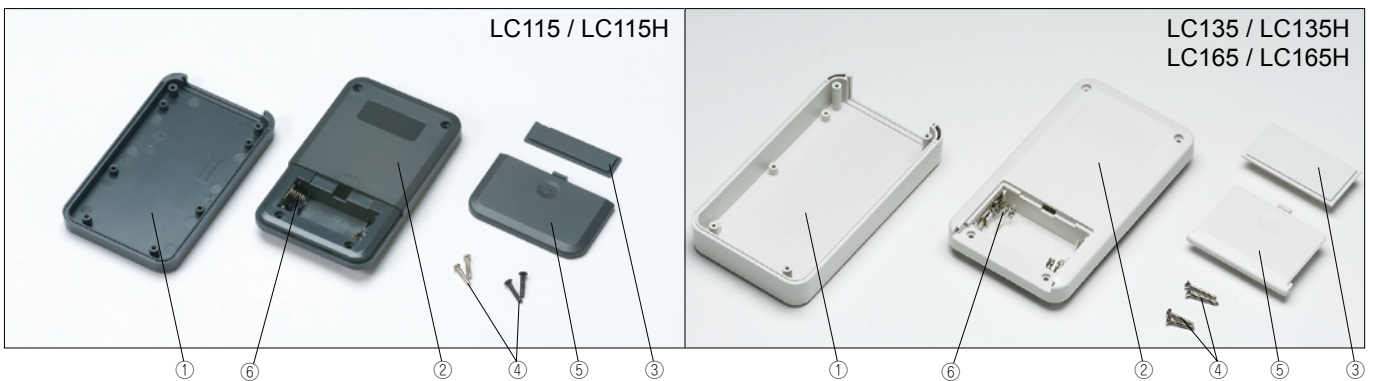
■ Operating temperature ■
-10°C~+60°C

LC HAND-HELD PLASTIC CASE



FEATURE

- Hand-held enclosure.
- Plastic material is ABS UL94V-0.
- 7 types of battery compartments.
- Suitable for portable measuring instruments, testing devices, communication devices, medical devices, and so on.



Components

Ref. #	Part name	Pcs	Material	Color / Finish
1	Top cover	1	Flame-retardant ABS	Off-White · Dark gray
2	Bottom cover	1	Flame-retardant ABS	Off-White · Dark gray
3	Panel	1	Flame-retardant ABS	Off-White · Dark gray
4	Screw	4	M2.6 Steel	Nickel plating · Black trivalent chromate
5	Battery cover	1	Flame-retardant ABS	Off-White · Dark gray
6	Battery contact / Battery snap	1set	Brass / Brass · PVC	Nickel plated

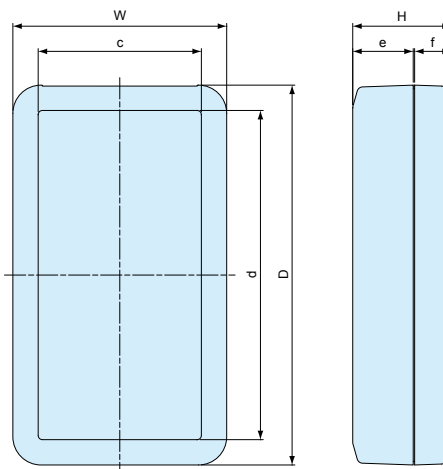
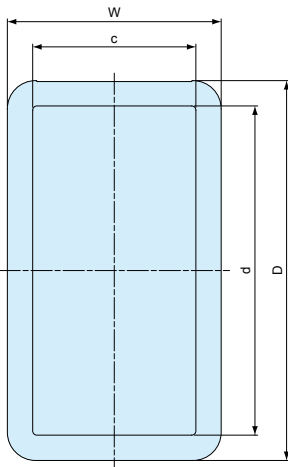
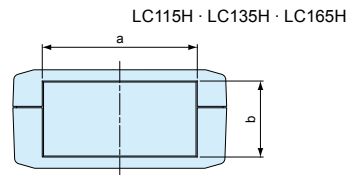
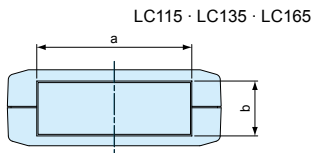
Accessories (Optional parts)



Dimensions

• Refer to the page 19 to 30 for information about these detailed dimensions.

LC SERIES



Prepared 8 types of battery compartments

Type	No battery N	AAA × 2 F2	AAA × 3 F3	AAA × 4 F4	AA × 2 M2	AA × 3 M3	AA × 4 M4	9V × 1 9V
battery compartments								

Color Type

Color code	Top cover	Bottom cover	Panel	Battery cover
D	Dark gray	Dark gray	Dark gray	Dark gray
W	Off-White	Off-White	Off-White	Off-White

Part no. / Dimensions

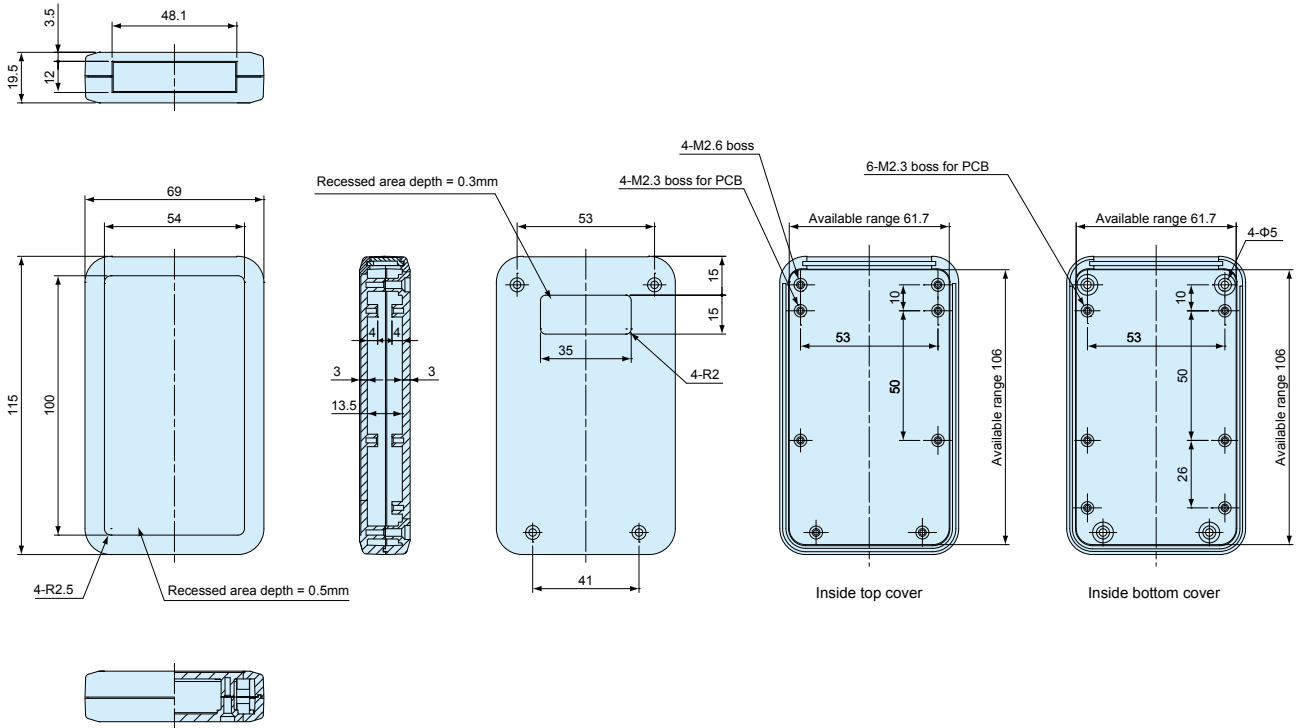
• Please suffix color code at the end of part number □ when ordering LC series.

Part no.	W	H	D	a	b	c	d	e	f	Battery compartments	Weight (g)
LC115 - N - □	69	19.5	115	48.1	12	54	100	10	9	No battery	70
LC115 - F2 - □	69	19.5	115	48.1	12	54	100	10	9	AAA×2	74.5
LC115 - F3 - □	69	19.5	115	48.1	12	54	100	10	9	AAA×3	76.5
LC115H - N - □	69	28	115	48.1	20.5	54	100	18.5	9	No battery	80
LC115H - F2 - □	69	28	115	48.1	20.5	54	100	18.5	9	AAA×2	84.5
LC115H - F3 - □	69	28	115	48.1	20.5	54	100	18.5	9	AAA×3	86
LC115H - M2 - □	69	28	115	48.1	20.5	54	100	18.5	9	AA×2	88.5
LC115H - 9V - □	69	28	115	48.1	20.5	54	100	18.5	9	9V×1	88
LC135 - N - □	76	27	135	55.1	19.5	58	117	13.5	13	No battery	95
LC135 - F4 - □	76	27	135	55.1	19.5	58	117	13.5	13	AAA×4	110
LC135 - M2 - □	76	27	135	55.1	19.5	58	117	13.5	13	AA×2	108
LC135 - M3 - □	76	27	135	55.1	19.5	58	117	13.5	13	AA×3	113.5
LC135 - 9V - □	76	27	135	55.1	19.5	58	117	13.5	13	9V×1	111.5
LC135H - N - □	76	35	135	55.1	27.5	58	117	21.5	13	No battery	107.5
LC135H - F4 - □	76	35	135	55.1	27.5	58	117	21.5	13	AAA×4	122
LC135H - M2 - □	76	35	135	55.1	27.5	58	117	21.5	13	AA×2	121
LC135H - M3 - □	76	35	135	55.1	27.5	58	117	21.5	13	AA×3	126
LC135H - 9V - □	76	35	135	55.1	27.5	58	117	21.5	13	9V×1	123.5
LC165 - N - □	80	27	165	59.1	19.5	62	147	13.5	13	No battery	120.5
LC165 - M4 - □	80	27	165	59.1	19.5	62	147	13.5	13	AA×4	140
LC165H - N - □	80	35	165	59.1	27.5	62	147	21.5	13	No battery	134.5
LC165H - M4 - □	80	35	165	59.1	27.5	62	147	21.5	13	AA×4	153.5

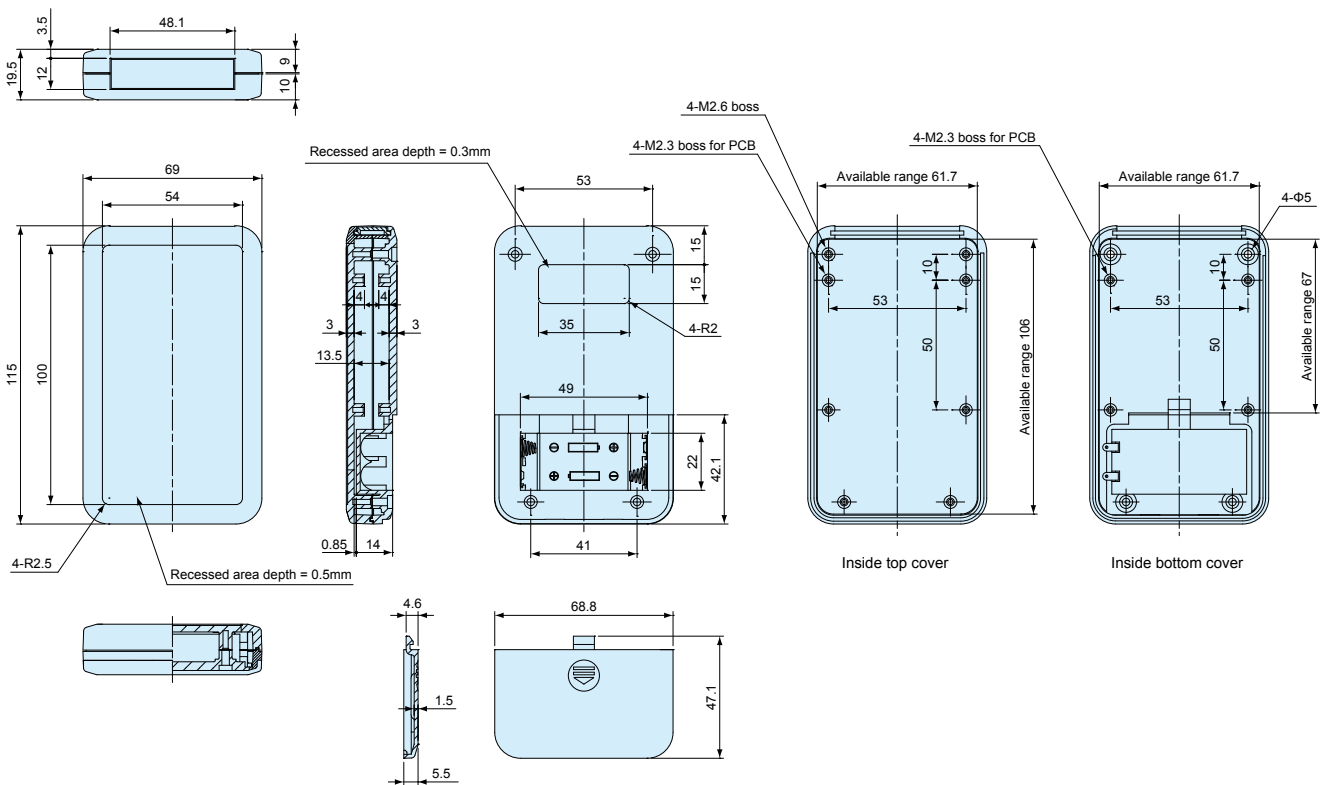
LCS / LC case Dimensions

LCS115-N / LC115-N

• CAD data is downloadable from our web.



LCS115-F2 / LC115-F2

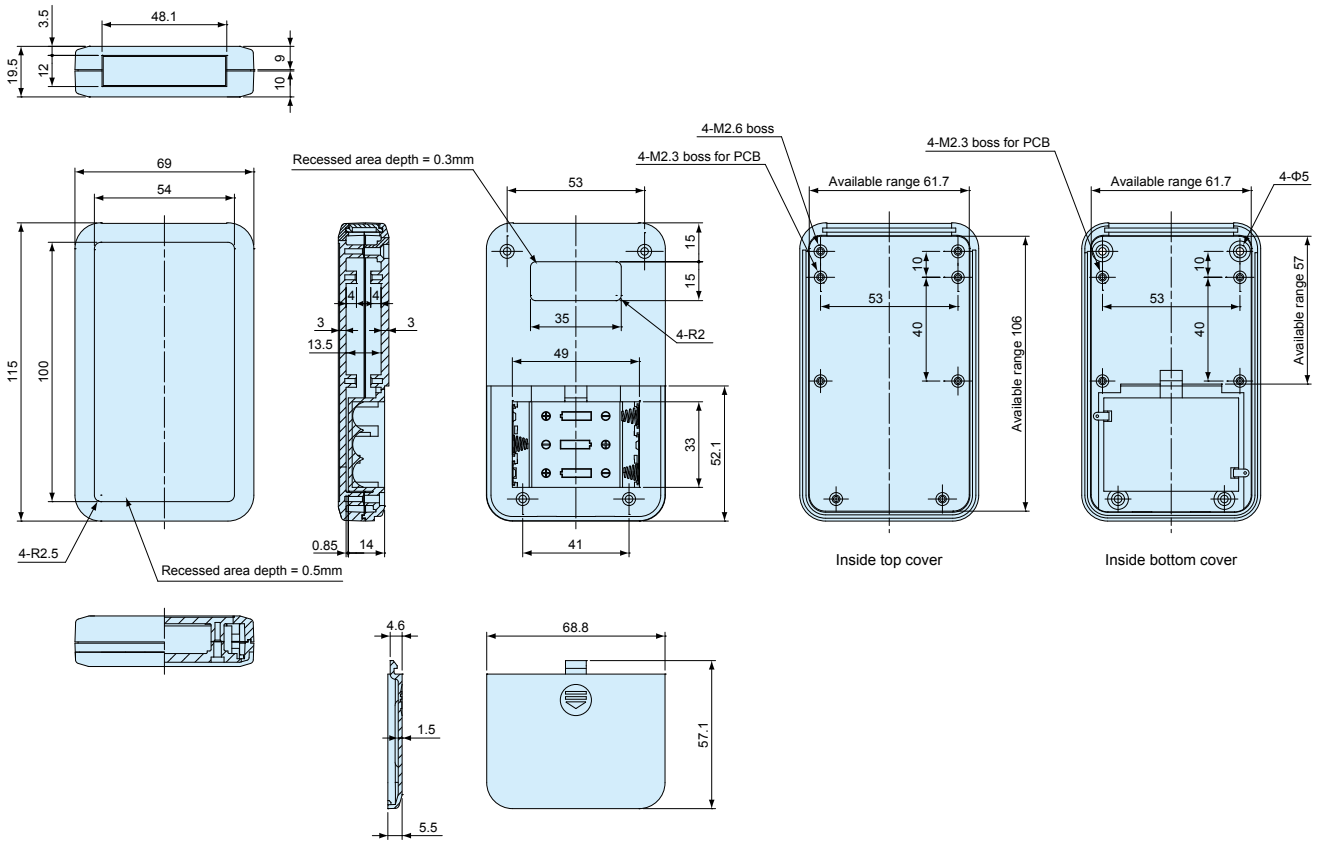


LCS / LC case Dimensions

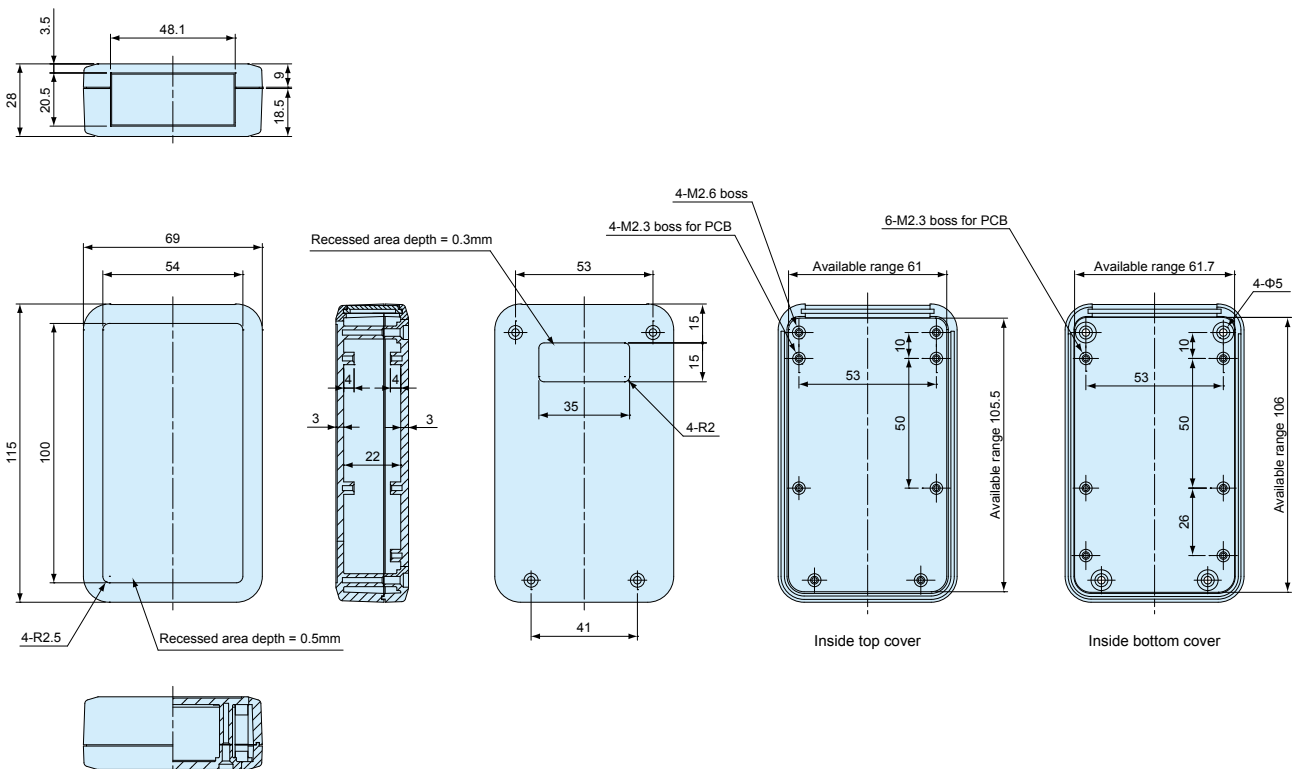
LCS SERIES

LCS115-F3 / LC115-F3

• CAD data is downloadable from our web.



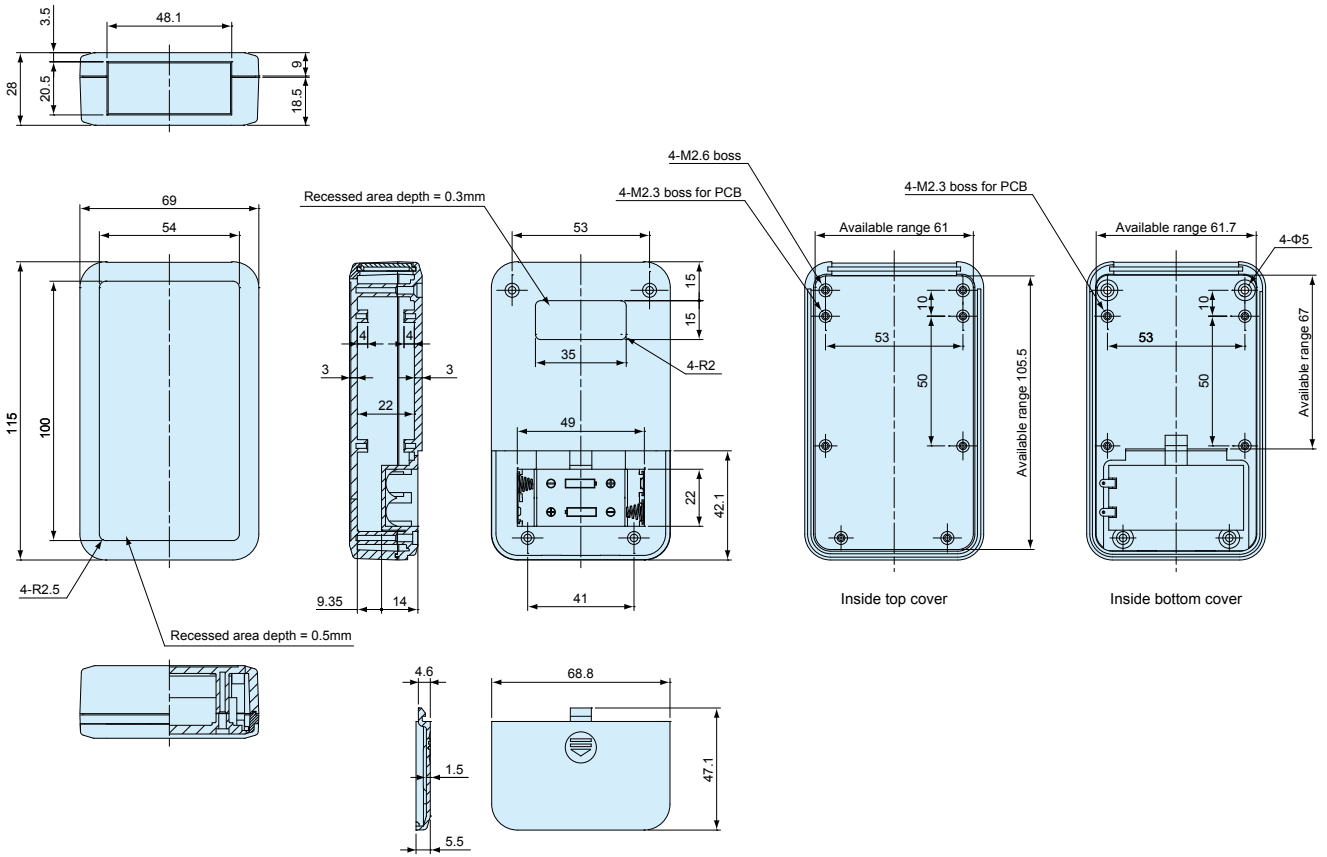
LCS115H-N / LC115H-N



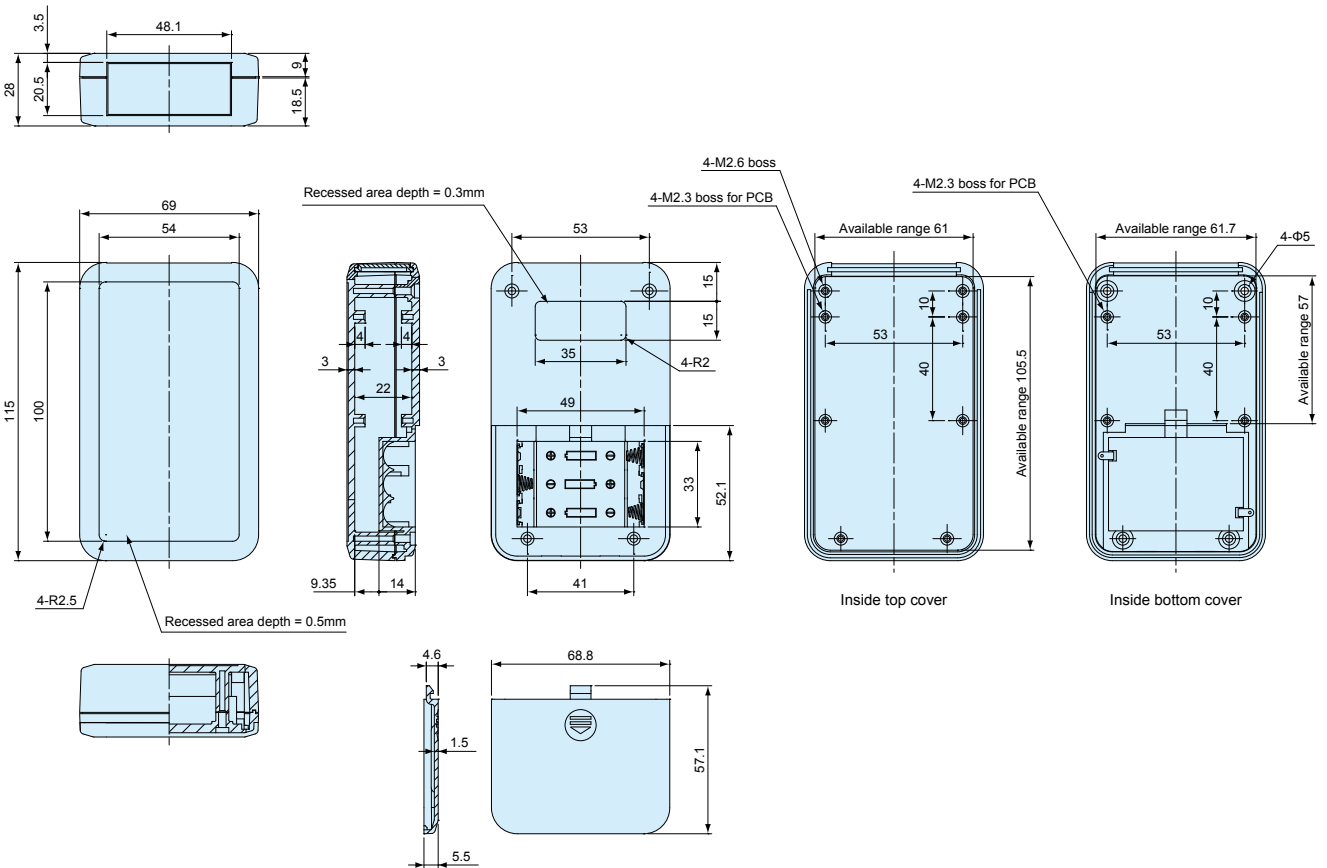
LCS / LC case Dimensions

LCS115H-F2 / LC115H-F2

• CAD data is downloadable from our web.



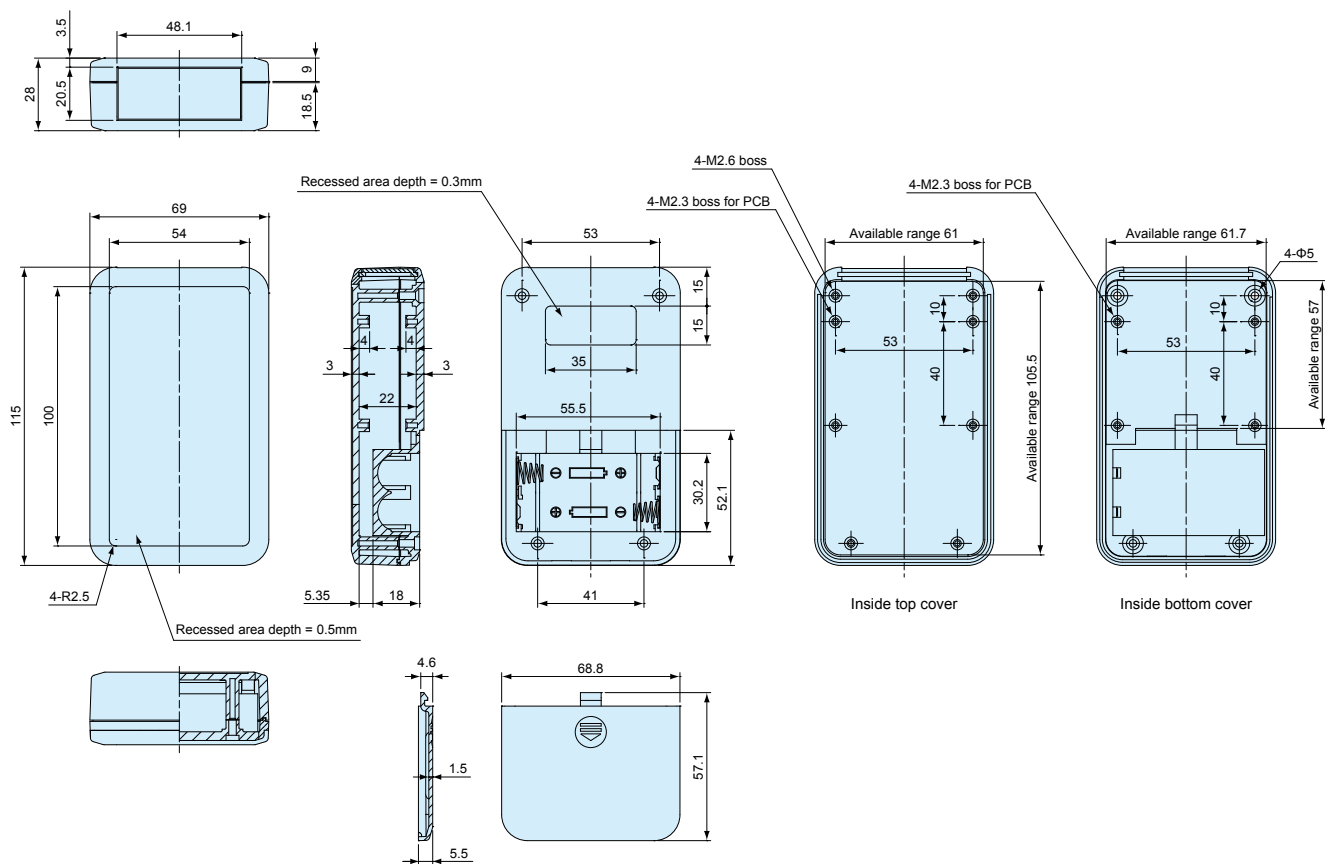
LCS115H-F3 / LC115H-F3



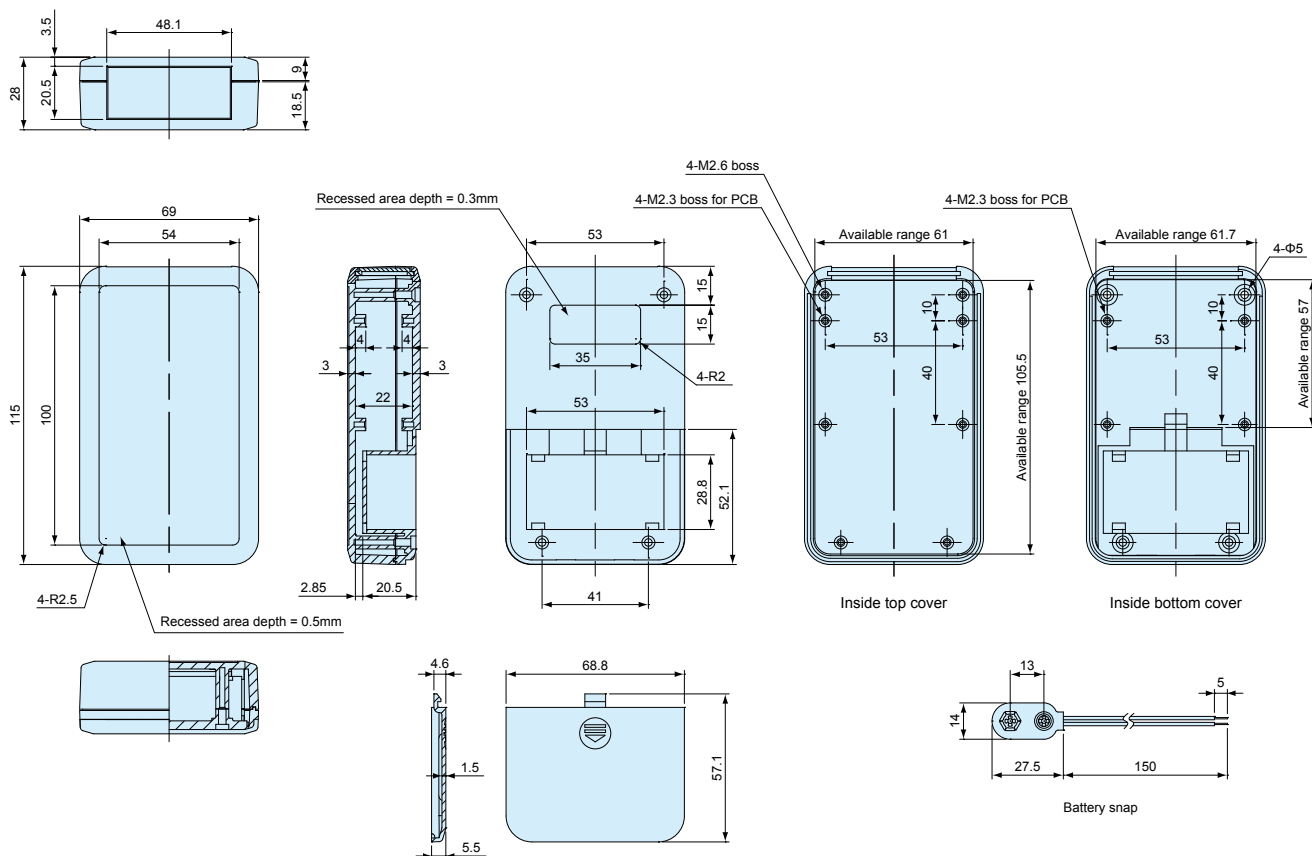
LCS / LC case Dimensions

LCS115H-M2 / LC115H-M2

• CAD data is downloadable from our web.



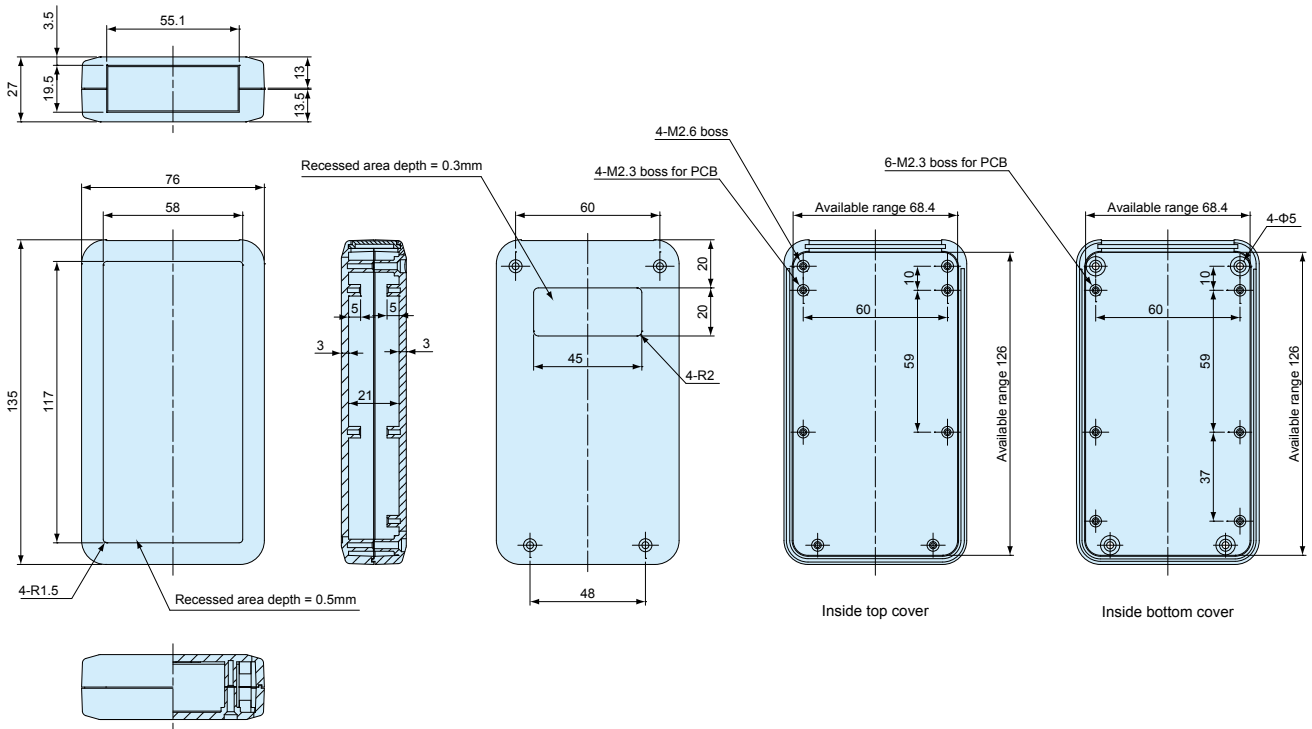
LCS115H-9V / LC115H-9V



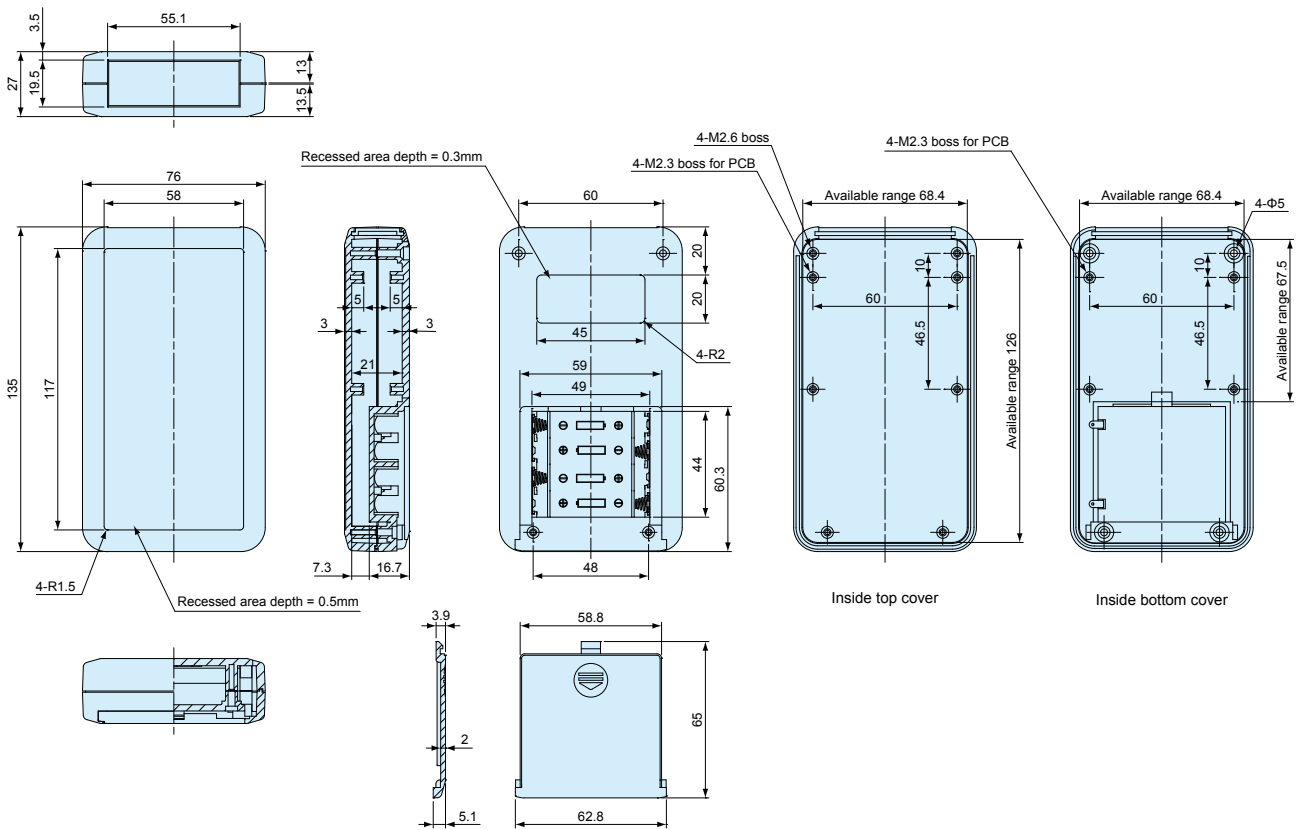
LCS / LC case Dimensions

LCS135-N / LC135-N

• CAD data is downloadable from our web.



LCS135-F4 / LC135-F4

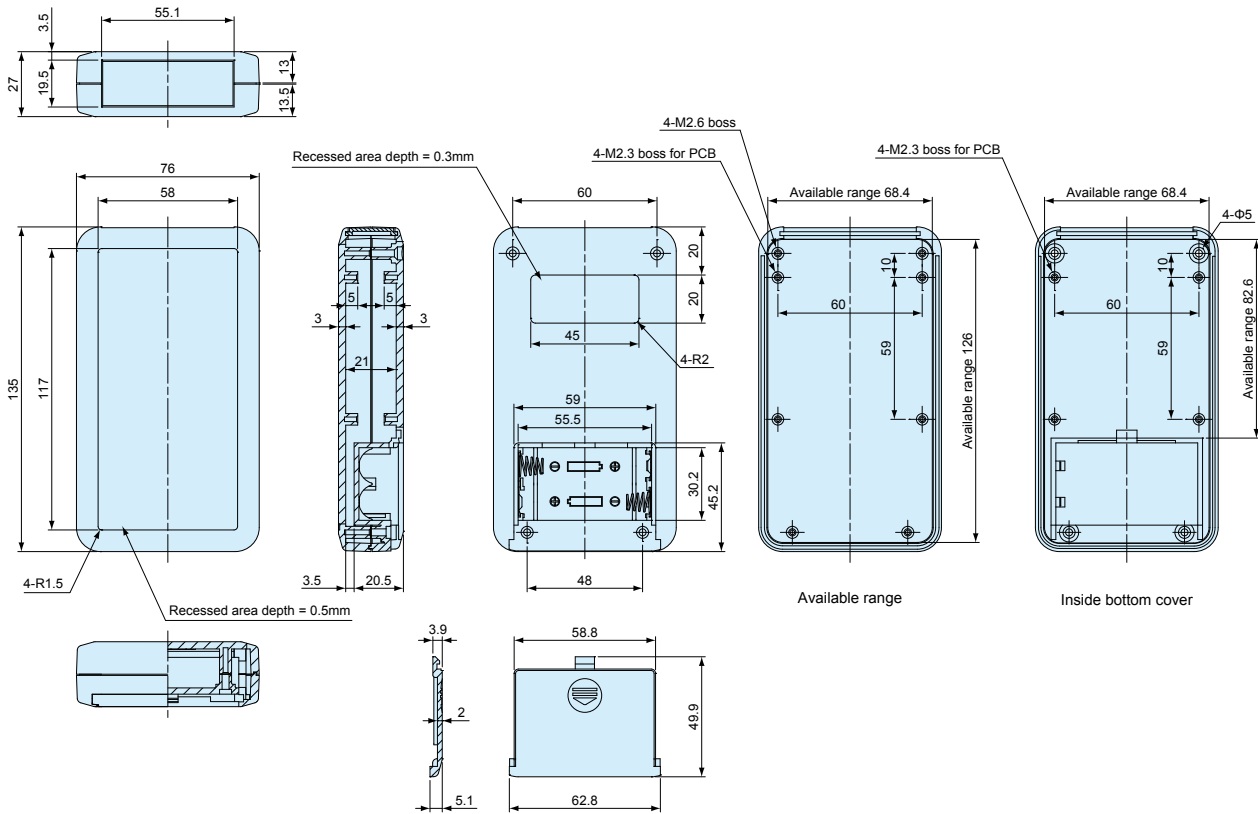


LCS / LC case Dimensions

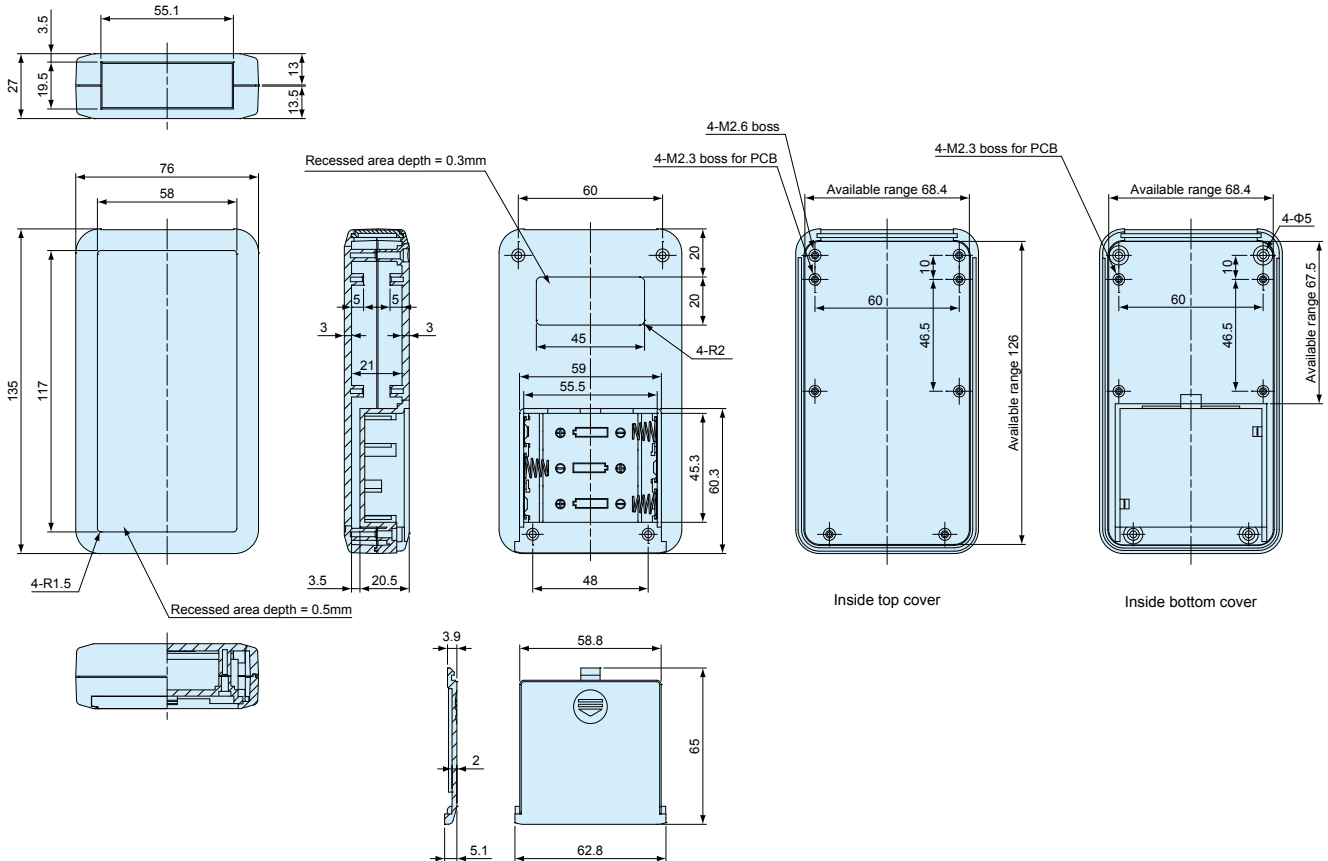
LCS SERIES

LCS135-M2 / LC135-M2

• CAD data is downloadable from our web.



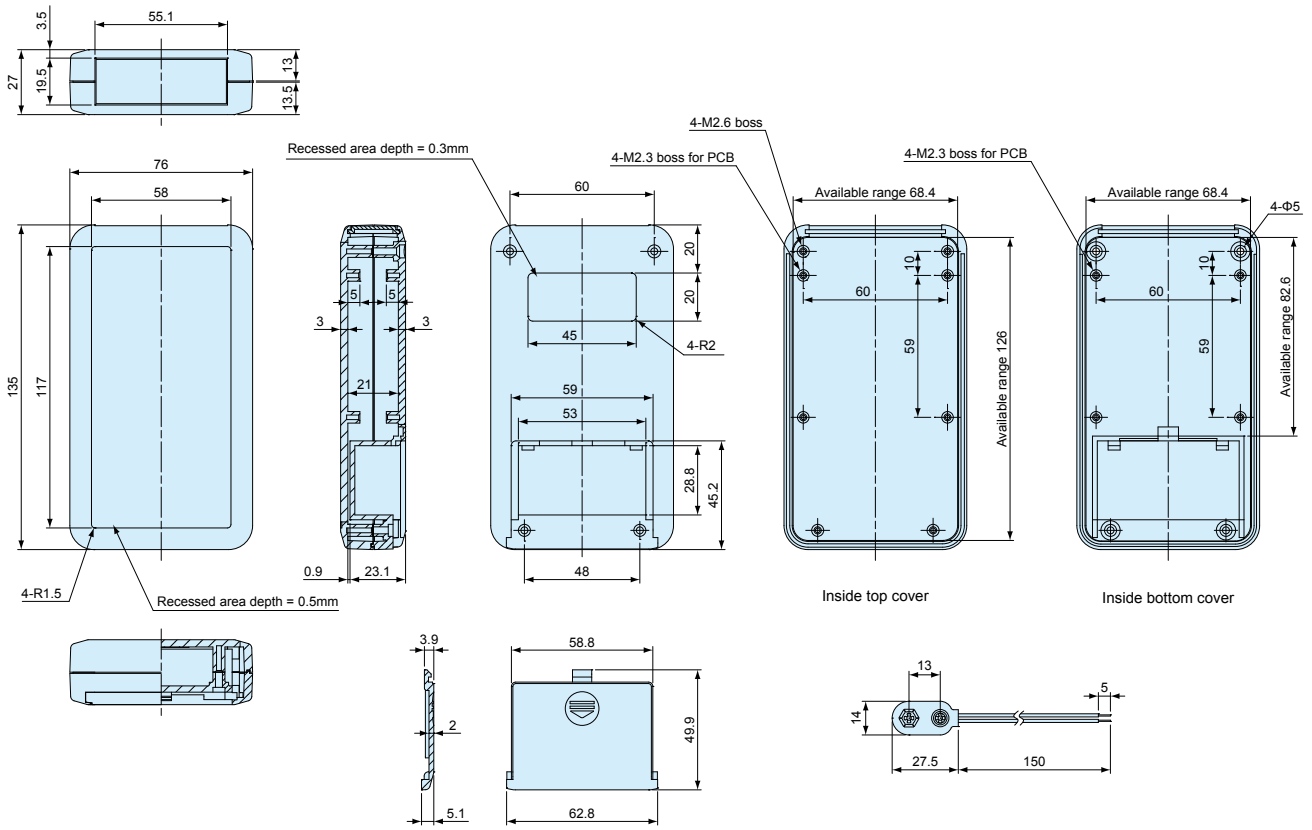
LCS135-M3 / LC135-M3



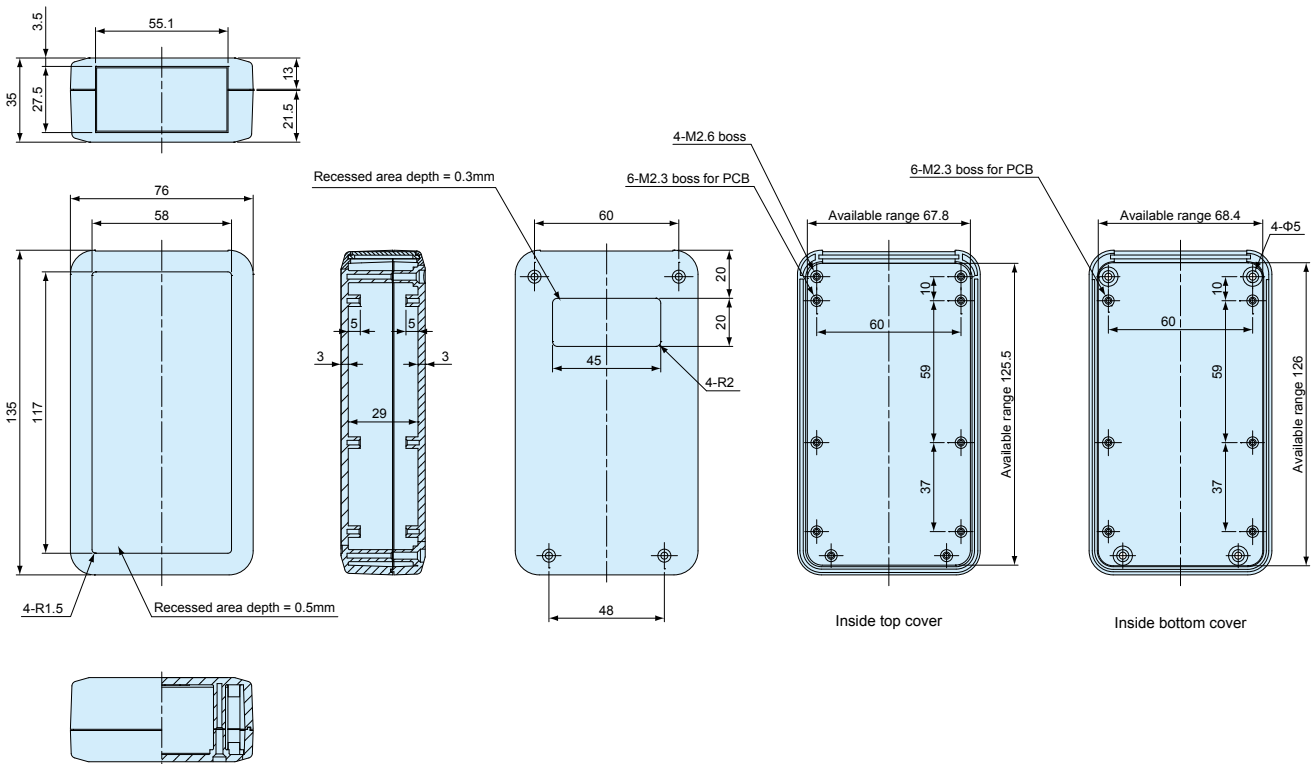
LCS / LC case Dimensions

LCS135-9V / LC135-9V

• CAD data is downloadable from our web.



LCS135H-N / LC135H-N

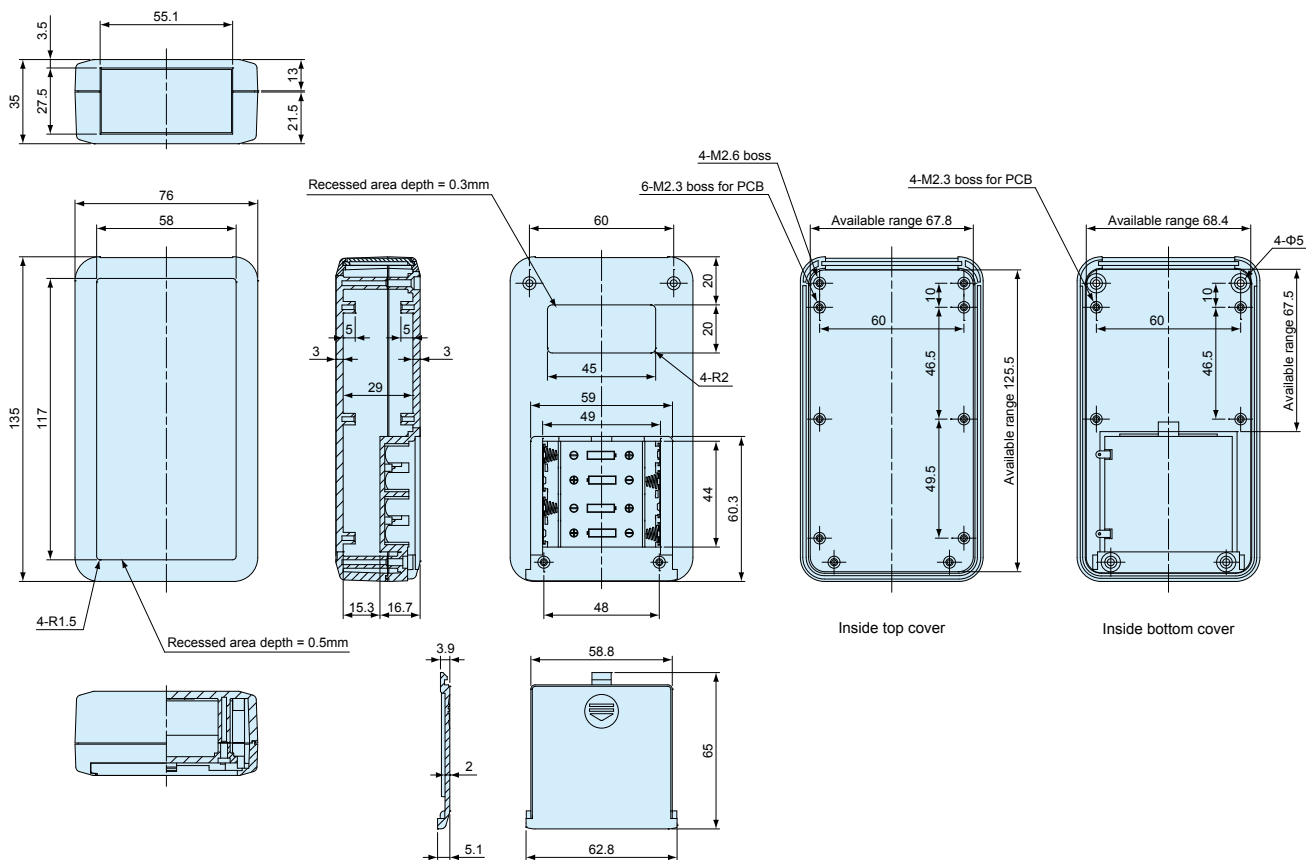


LCS / LC case Dimensions

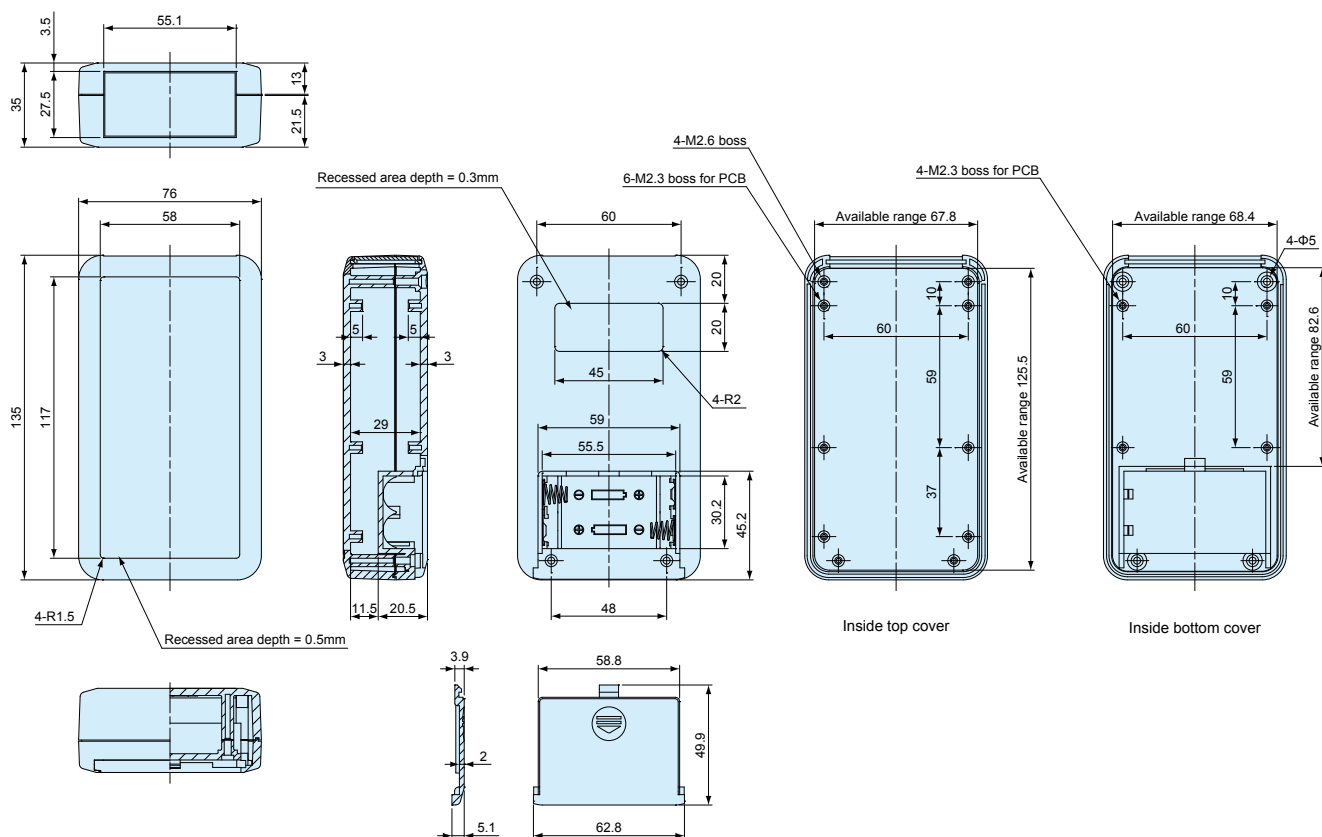
LCS SERIES

LCS135H-F4 / LC135H-F4

• CAD data is downloadable from our web.



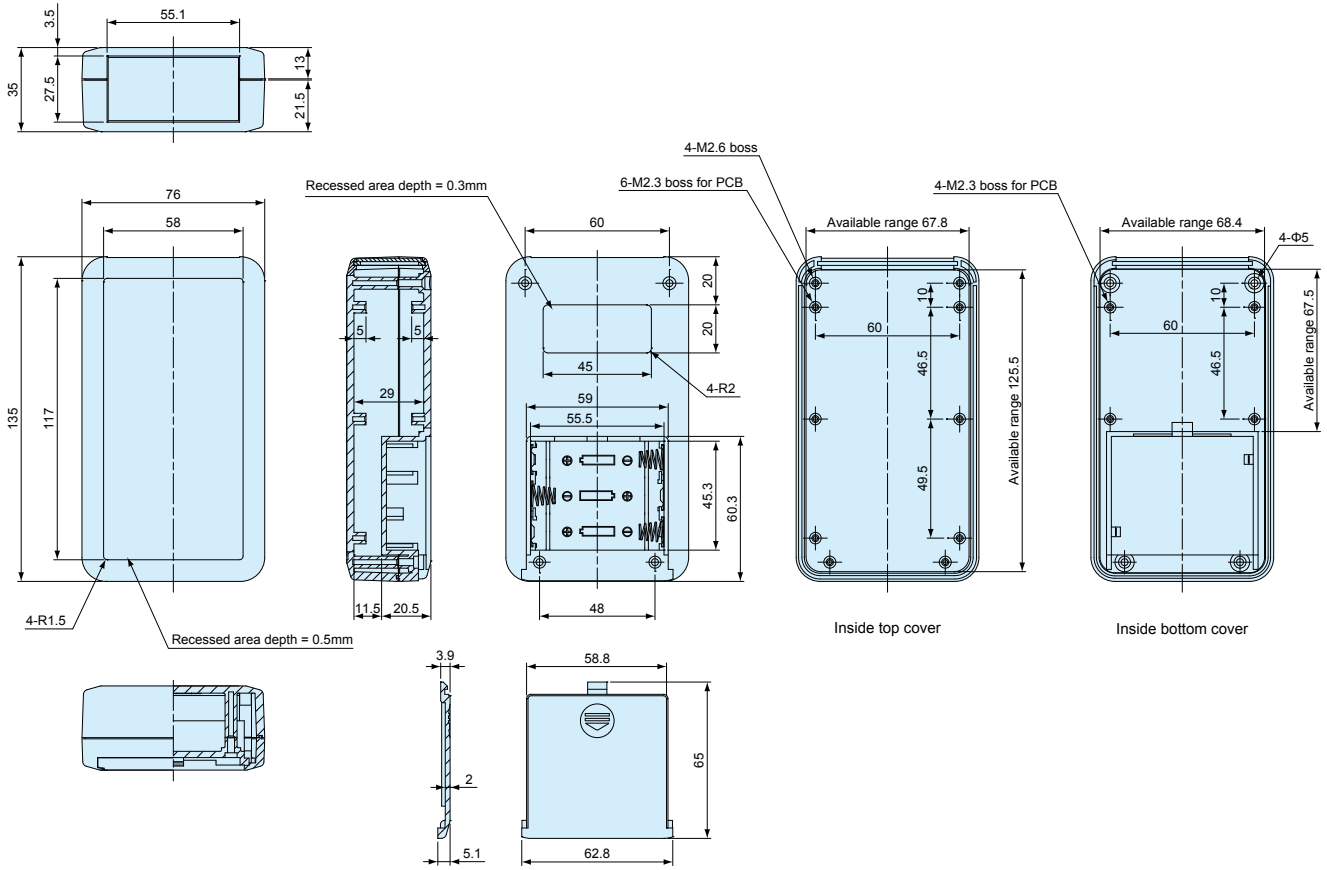
LCS135H-M2 / LC135H-M2



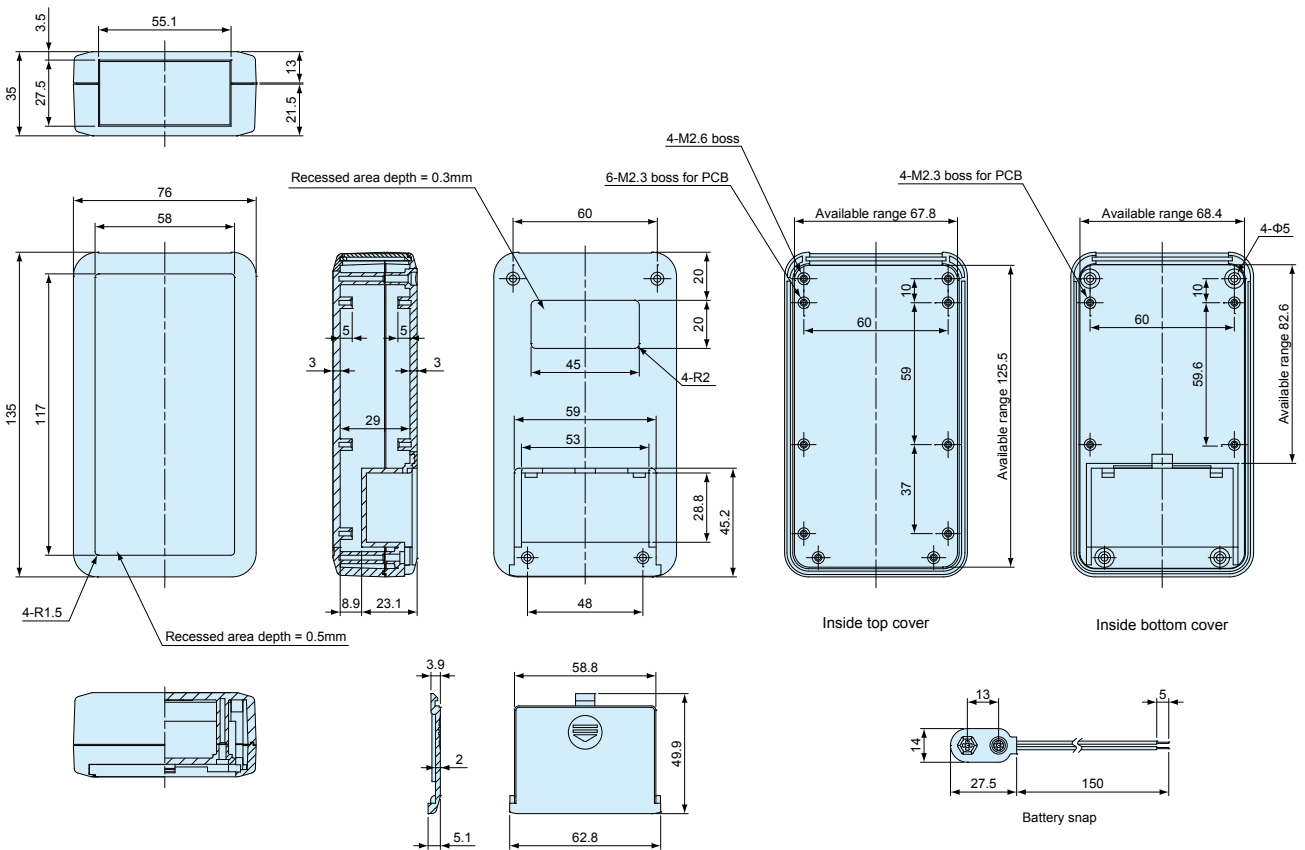
LCS / LC case Dimensions

LCS135H-M3 / LC135H-M3

• CAD data is downloadable from our web.



LCS135H-9V / LC135H-9V

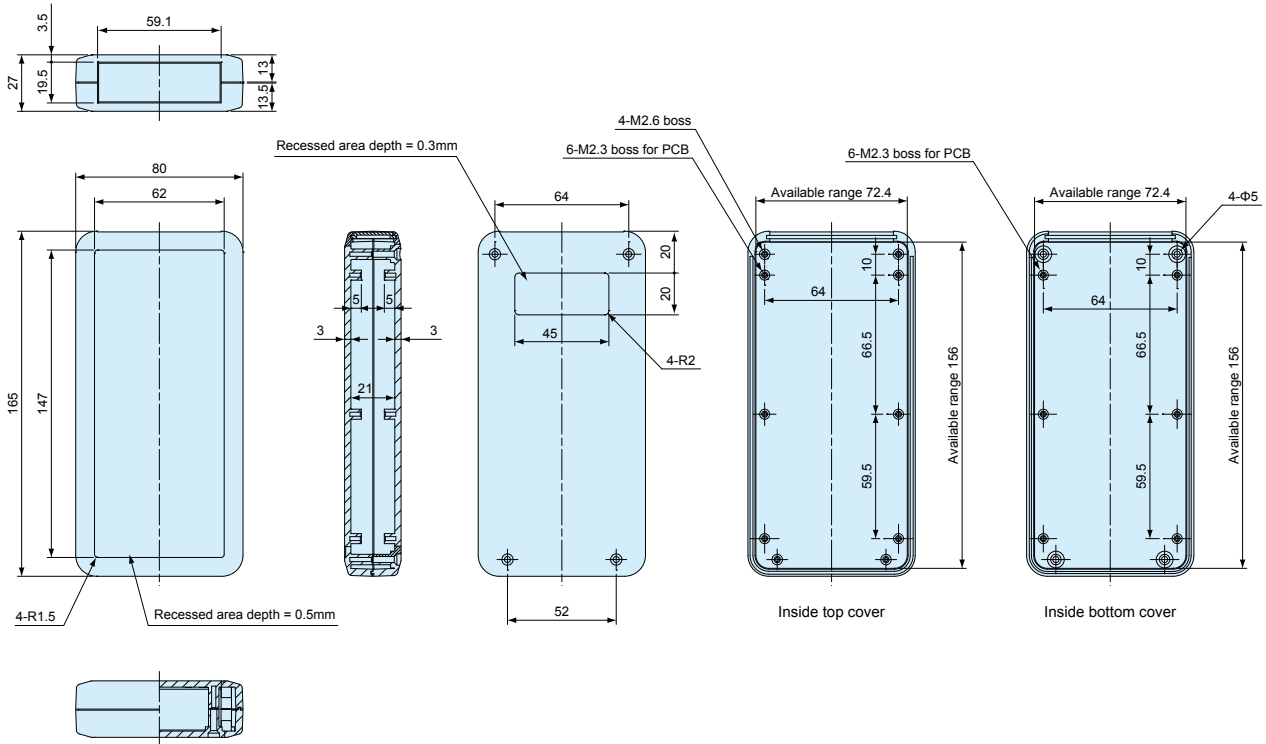


LCS / LC case Dimensions

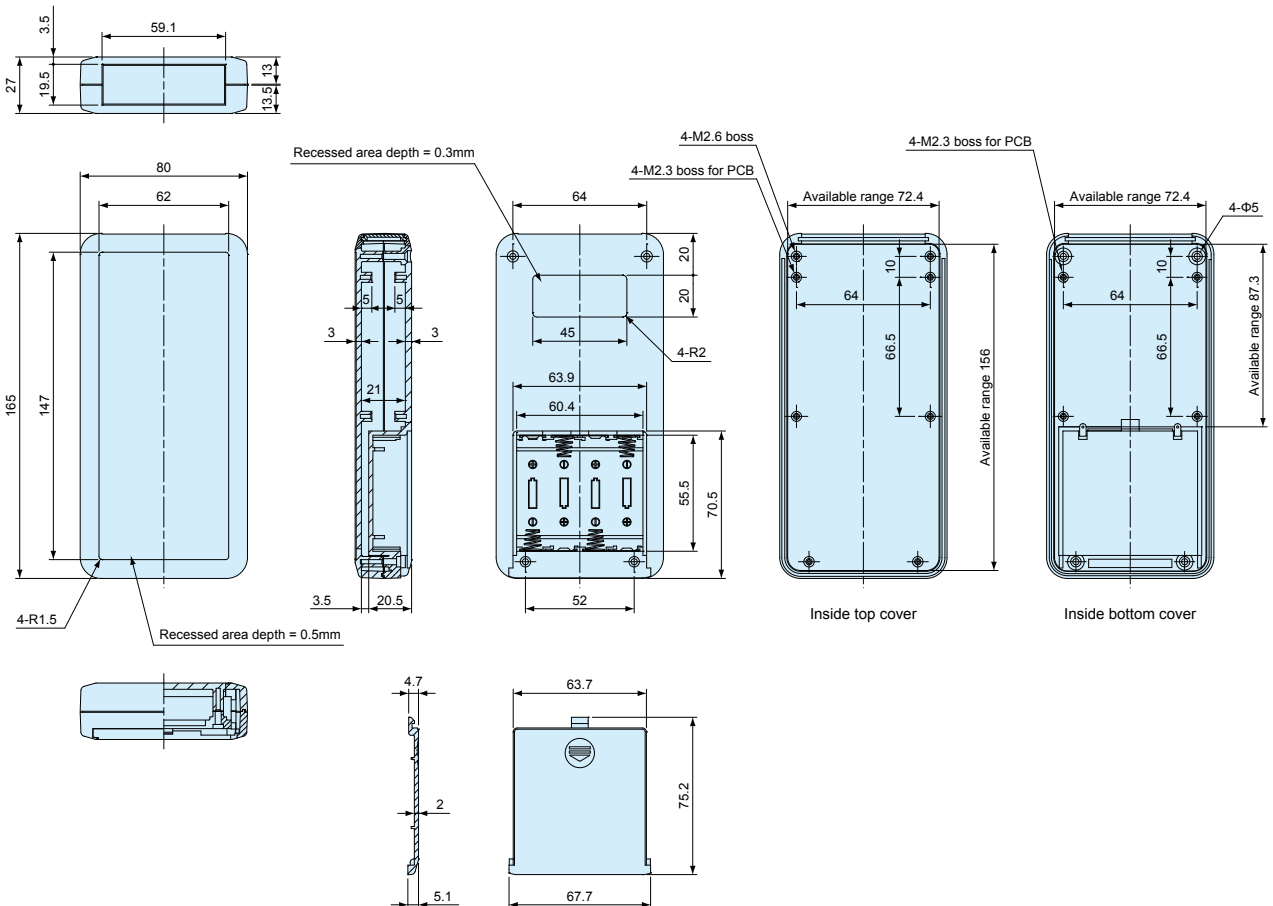
LCS SERIES

LCS165-N / LC165-N

• CAD data is downloadable from our web.



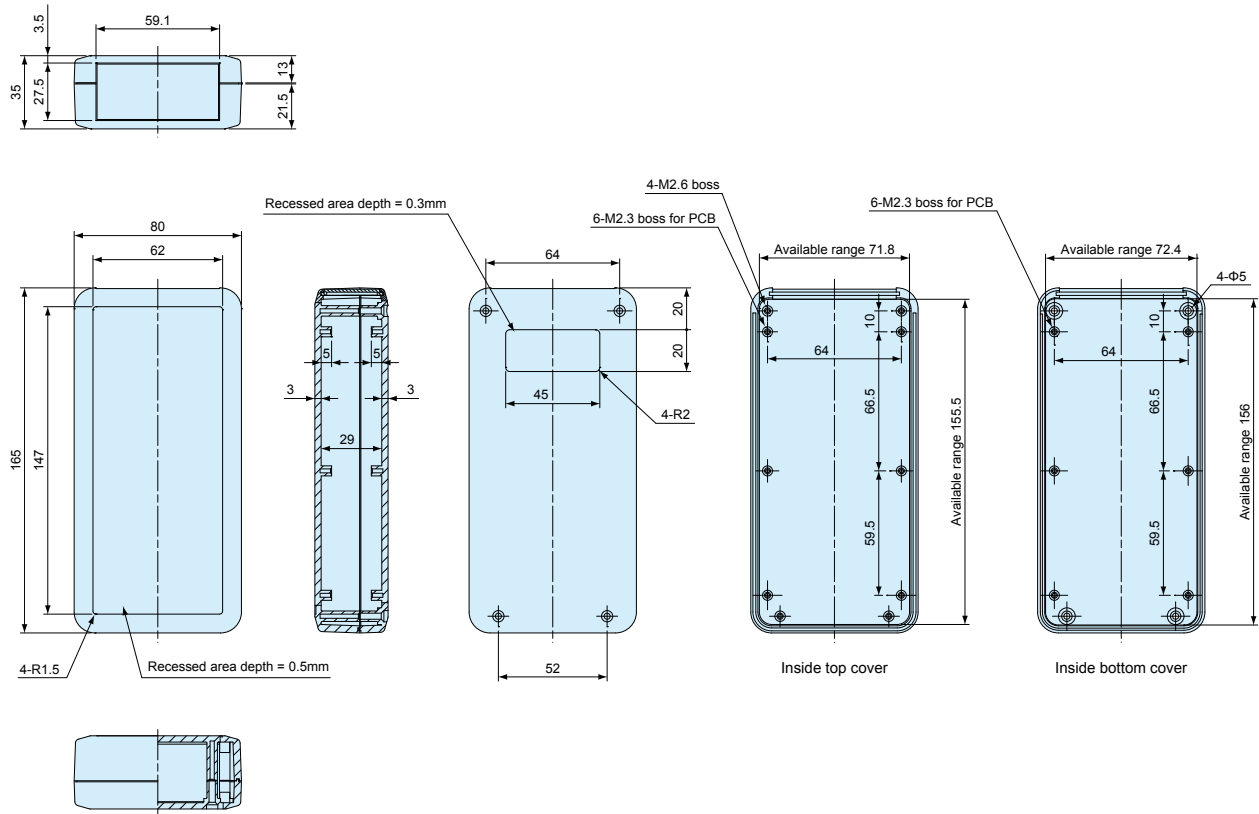
LCS165-M4 / LC165-M4



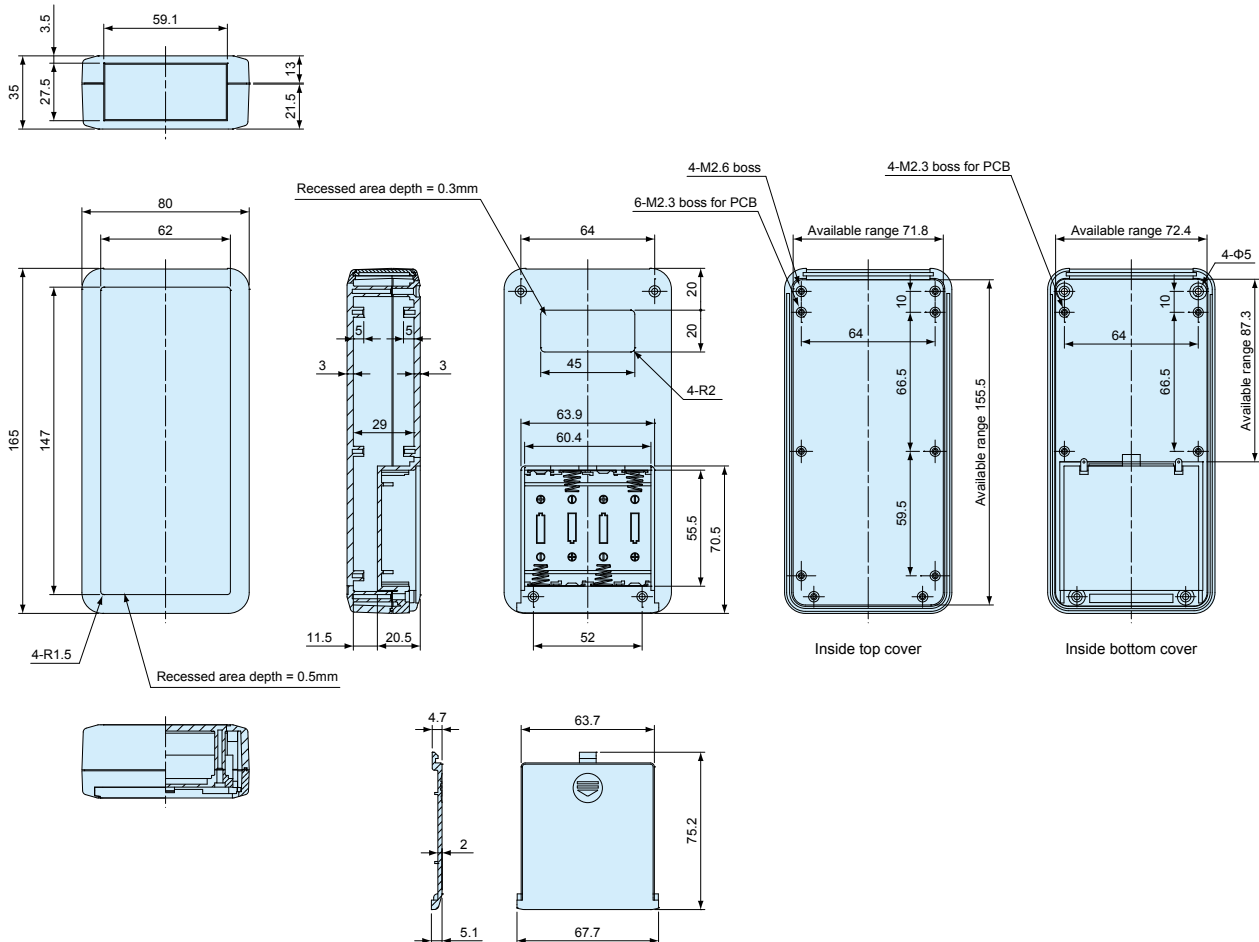
LCS / LC case Dimensions

LCS165H-N / LC165H-N

• CAD data is downloadable from our web.



LCS165H-M4 / LC165H-M4

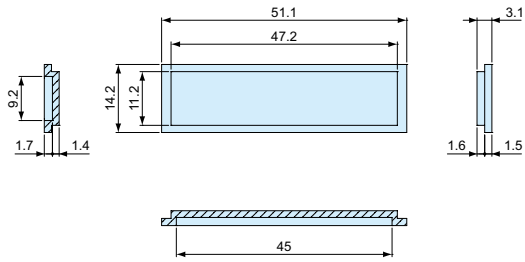


LCS / LC Panel dimensions

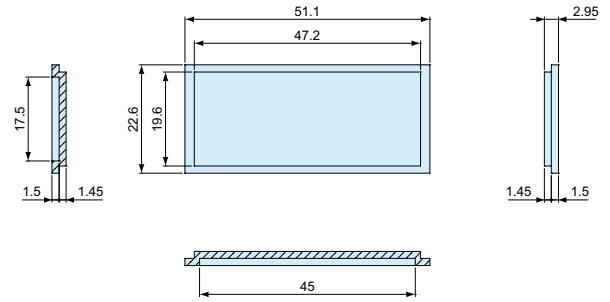
• CAD data is downloadable from our web.

LCS SERIES

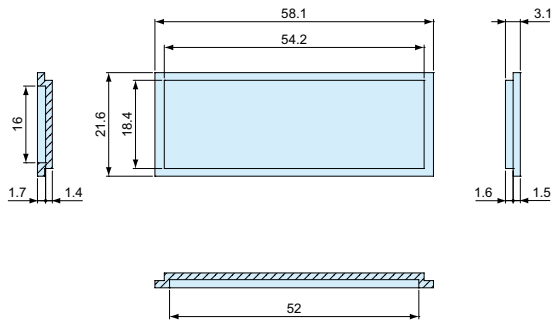
LCS115 / LC115 Panel



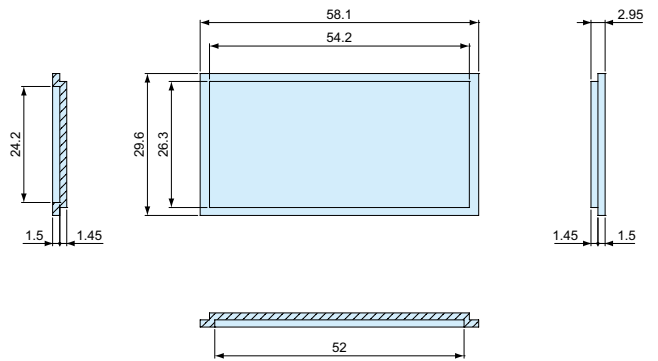
LCS115H / LC115H Panel



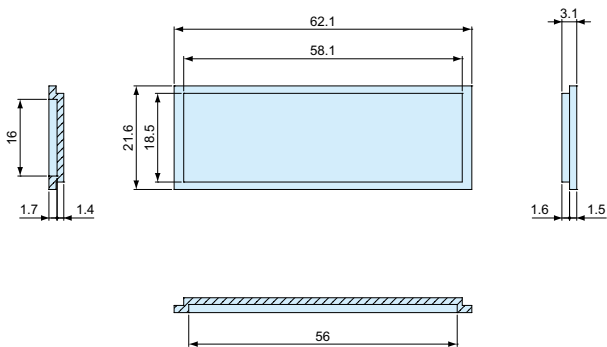
LCS135 / LC135 Panel



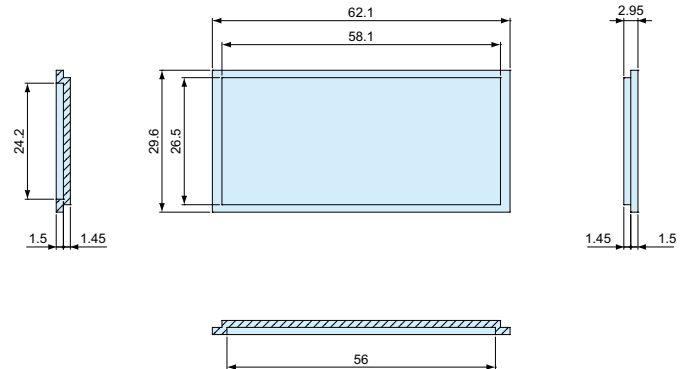
LCS135H / LC135H Panel



LCS165 / LC165 Panel









LCS165H / LC165H Panel



LCSC SERIES

LCSC SILICONE COVER

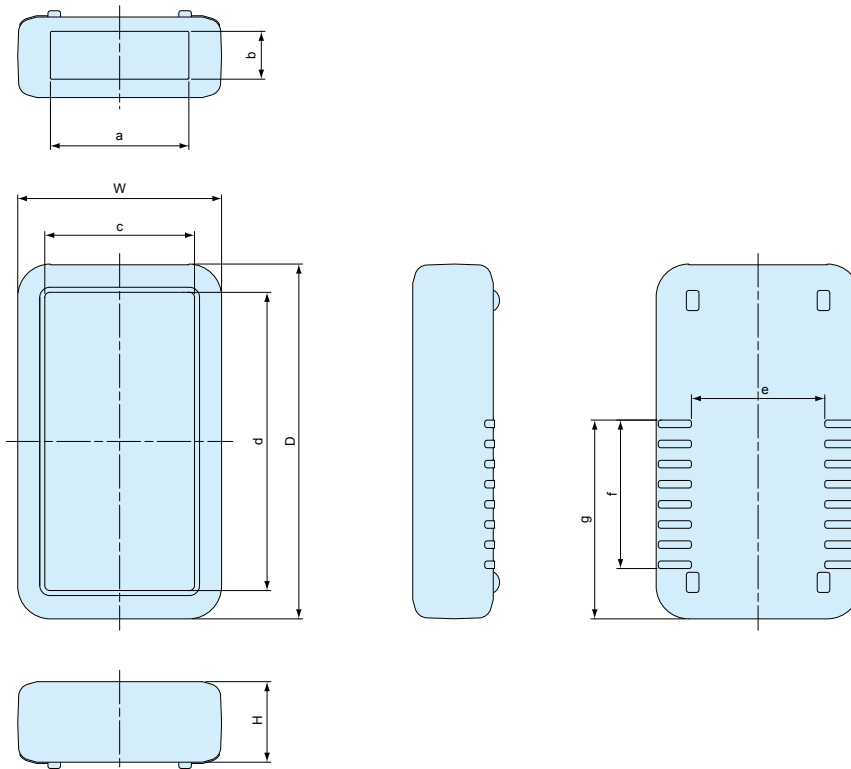
Color Type

Color						
Color code	Red R	Yellow Y	Green G	Blue B	Dark gray D	Light gray L

FEATURE

- Silicone cover for LC Series.
- Custom color is available from MOQ 500 pcs per order. If you would, please tell us the **PANTONE®** Color number or provide sample color.

LCSC Dimensions



Components

Part name	Pcs	Material	Color / Finish
Silicone cover	1	Silicone	Red · Yellow · Green · Blue · Dark gray · Light gray

Part no. / Dimensions

• Please suffix color code at the end of part number □ when ordering LCSC series.

Part no.	W	H	D	a	b	c	d	e	f	e	Suitable case	Weight(g)
LCSC115 - □	74	24	120	48.3	12	55.5	101.5	46	44.5	60.5	LC115	43
LCSC115H - □	74	32.5	120	48.3	20.5	55.5	101.5	46	44.5	60.5	LC115H	50
LCSC135 - □	81	32	141	55	19	59.5	118.5	53	59	79	LC135	70
LCSC135H - □	81	40	141	55	27	59.5	118.5	53	59	79	LC135H	75.5
LCSC165 - □	85	32	171	59	19	63.5	148.5	53	67	92	LC165	82.5
LCSC165H - □	85	40	171	59	27	63.5	148.5	53	67	92	LC165H	86

LC / LCS CUSTOMIZATION

CNC milling



Custom design and color silicone cover



Silk-screening



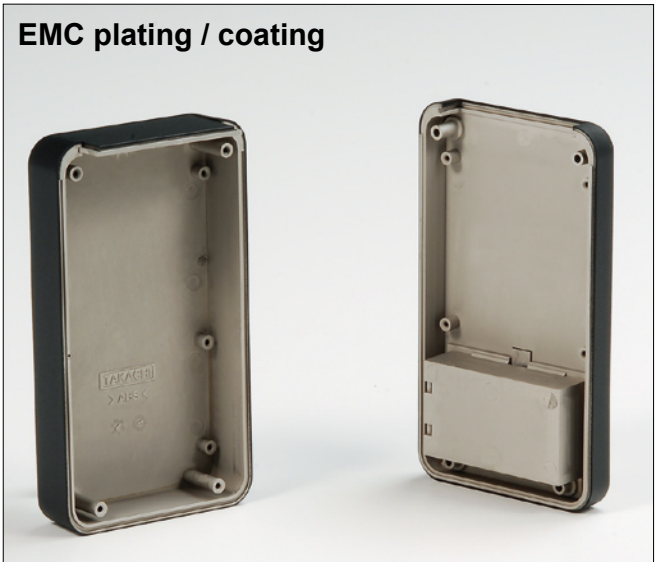
Decorative sheet



Painting

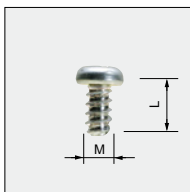


EMC plating / coating



EM·MR SERIES

EM TAPPING SCREW



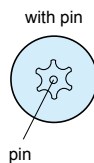
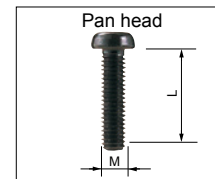
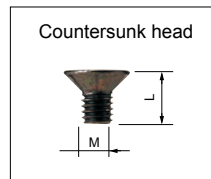
- Self-tapping screws are for mounting PCB on bosses or standoffs.
- EM-3-6 self-tapping screws are suitable for mounting PCB of 1.6mm or more thickness.

Part no. / Dimensions

1 pack = 50 pcs

Part no.	M	L	Material	Color / Finish	Sales unit	Applicable enclosure
EM-1.6	1.6	4	Steel	Trivalent chromate	50	CSS-CS-PS
EM-2	2	5	Steel	Trivalent chromate	50	TW-TWN-TWF (M2 size only)
EM-2.3	2.3	6	Steel	Trivalent chromate	50	LC-RG TW-TWN-TWF (M2.3 size only)
EM-3	3	5	Steel	Trivalent chromate	50	TW-TWN-TWF (M3 size only)
EM-3-6	3	6	Steel	Trivalent chromate	50	SS-SS-N-PR-SU-OP-PW-SY-SYH-GB-SB-PC-PK SX-EPR-YX-GHA-LM-SGP-SGM-GC

MR TORX SCREW



*Note: MR2.6-10□ and MR3-14□ are without pin.

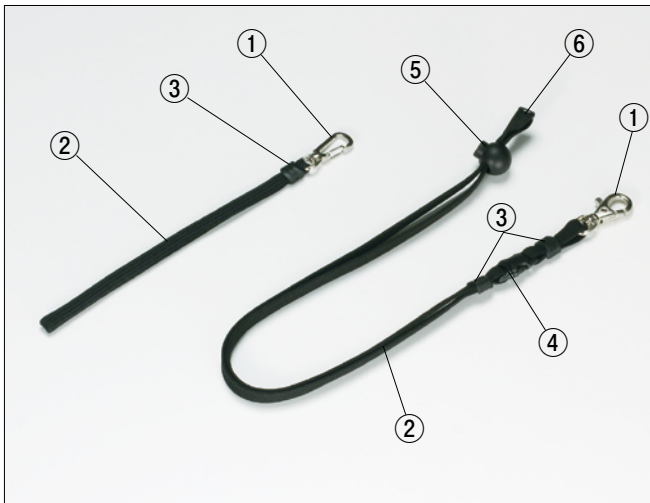
Part no. / Dimensions

1 pack = 20 pcs

Screw type	Part no.	M	L	TROX head no.	Material	Finished	Suitable enclosure
Countersunk head tapping screw	MR2.6-10S *	2.6	10	T 8	Steel	Nickel plated	TW5-2-5 · 5-3-5 TW/TWN4-2-5 · 4-2-6 · 4-2-8 · 5-2-7 · 5-3-7 · 5-4-7 · 8-2-8 · 8-4-8 TWF5-2-7 · 5-3-7 · 5-4-7
	MR2.6-10B *	2.6	10	T 8	Steel	Trivalent chromate	
	MR2.6-14S	2.6	14	T 8	Steel	Nickel plated	LC115-N · F2 · F3 TW/TWN7-2-11 · 7-4-11 · 7-5-11
	MR2.6-18S	2.6	18	T 8	Steel	Nickel plated	LC115H-N · F2 · F3 · M2 · 9V LC135-N · F4 · M2 · M3 · 9V LC135H-N · F4 · M2 · M3 · 9V LC165-N · M4 LC165H-N · M4
	MR3 -14S *	3	14	T10	Steel	Nickel plated	TW5-3-10 TW/TWN5-3-9 · 7-3-13 · 7-5-13 · 9-4-17 · 9-6-17 TWF7-3-13 · 7-5-13 · 9-4-17 · 9-6-17
	MR3 -14B *	3	14	T10	Steel	Trivalent chromate	
Pan head tapping screw	MR2.6-12PS	2.6	12	T 8	Steel	Nickel plated	LC115-F2 · F3
	MR2.6-14PS	2.6	14	T 8	Steel	Nickel plated	LC115H-F2 · F3 · M2 · 9V LC135-F4 · M2 · M3 · 9V LC135H-F4 · M2 · M3 · 9V LC165-M4 LC165H-M4

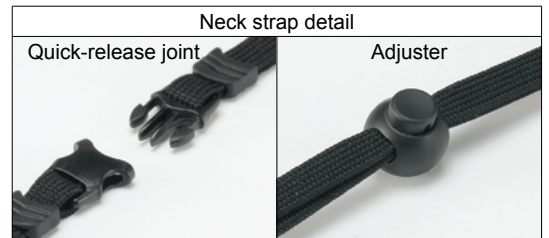
STP·CR SERIES

STP STRAP



FEATURE

- Strap with a metal hook.
- Recommended for using with CR key ring.



• Only the neck strap has a joint and an adjuster.

Components

Part no.	Part name	Pcs	Material	Color / Finish
1	Metal hook	1	Zn die-cast & steel	Nickel plated
2	Strap	1	Nylon / Polyester	Black
3	Cap	1/2	Polyurethane / Elastmer	Black
4	Joint (Neck strap only)	1	Polyacetal	Black
5	Adjuster (Neck strap only)	1	Nylon	Black
6	Clamp (Neck strap only)	1	PE	Black

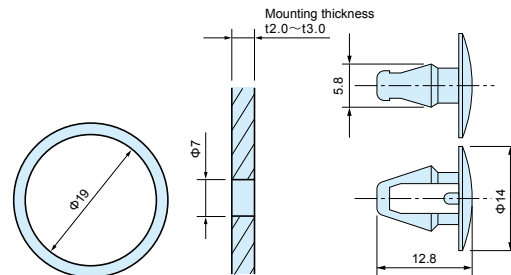
Part no. / Dimensions

Part no.	Strap width	Strap length	Strap material	Cap material
STP-200	8	200	Nylon	Plyuurethane
STP-450	10	450	Polyester	Elastmer

CR KEY RING



• Hole milling is required when installing on the case.



Components

Part name	Pcs	Material	Color / Finish
Ring	1	Steel	Nickel plated
Insert clip	1	Nylon	Black

Part no. / Dimensions

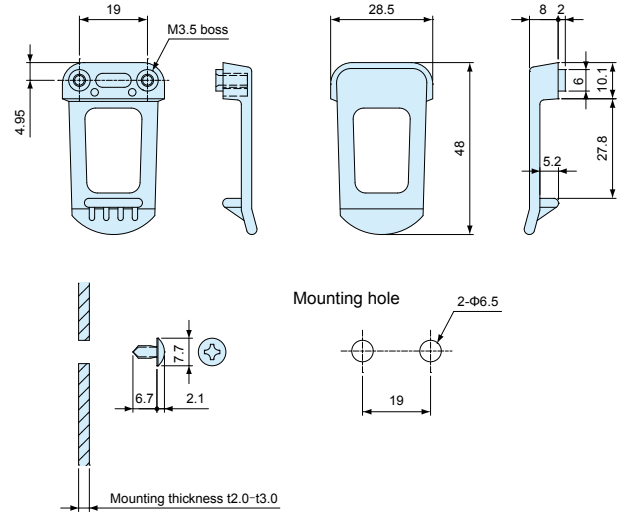
Part no.	Ring ϕ	Pcs	Installation hole	Mounting thickness
CR-20	$\phi 19$	1set	$\phi 7$	t2.0-t3.0

GDH·DK SERIES

GDH BELT CLIP



GDH Dimensions



Components

UL94HB

Ref. #	Part name	Pcs	Material	Color / Finish
1	Clip	1	ABS	White gray · Black
2	Screw	2	M3.5 steel	Zinc plated

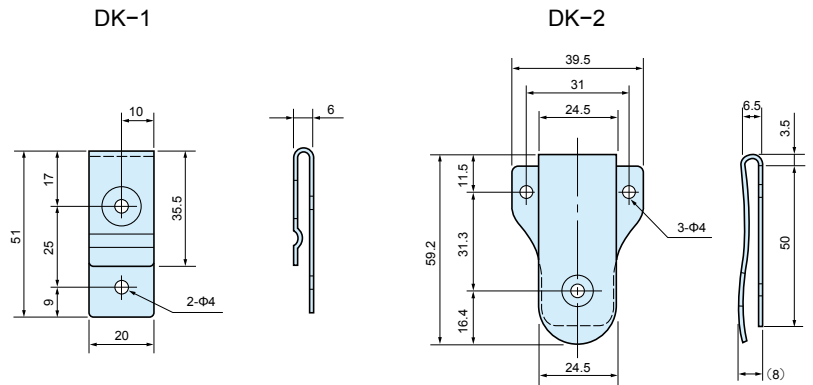
Part no. / Dimensions

Part no.	Color	W	H	D
GDH-1G	White gray	28.5	10	48
GDH-1B	Black	28.5	10	48

DK BELT CLIP



DK Dimensions



Part no. / Components

Part no.	Pcs	Material	Color / Finish
DK-1	1	Steel t1.0	Chrome plated
DK-2	1	Steel t0.8	Chrome plated