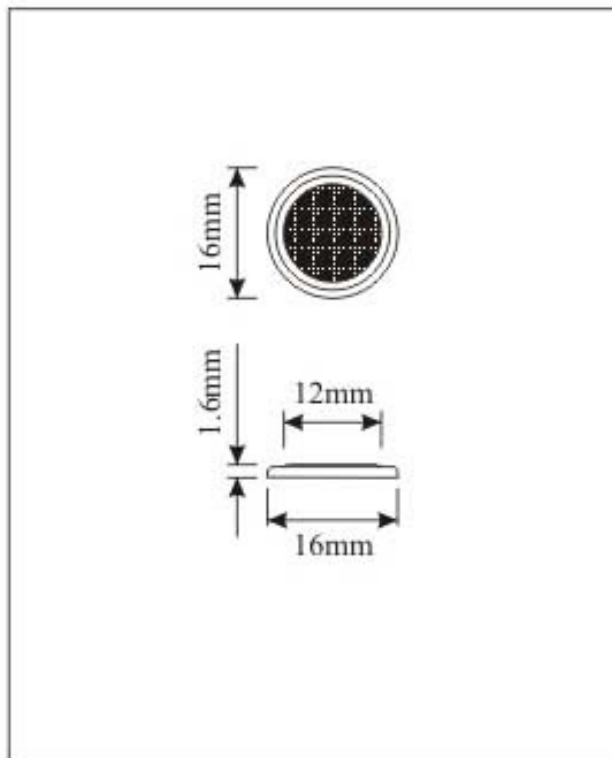
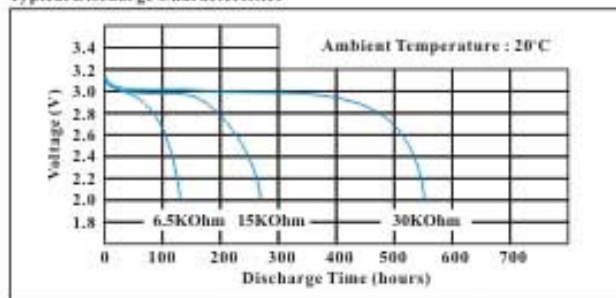


LITHIUM BATTERY

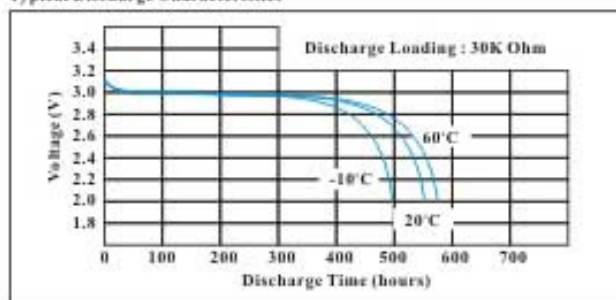
SPECIFICATIONS

Model	:	CR1616
Description	:	Lithium Coin Cell (LiMnO ₂), Mercury Free
Normal Capacity	:	50mAh at 30K Ohm continuous discharge
Nominal Voltage	:	3.0 V
Cut-Off Voltage	:	2.0 V
Weight	:	1.2 g
Self-Life	:	1 year ex-factory
Recommended Drain	:	Pulse - 8mA Standard - 0.1mA Low - 0.002mA
Service Life	:	275 hrs at 15K Ohm continuous discharge 550 hrs at 30K Ohm continuous discharge
Application	:	Memory Backup, Electronic Watches, Calculators, Cameras, Electronic Translators, Low Power Cordless Application

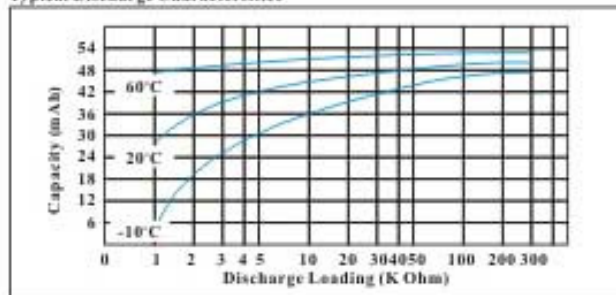
Typical Discharge Characteristics



Typical Discharge Characteristics



Typical Discharge Characteristics



Typical Discharge Characteristics (Pulse Discharge)

