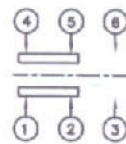
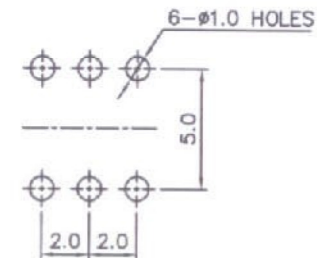


CIRCUIT DIAGRAM

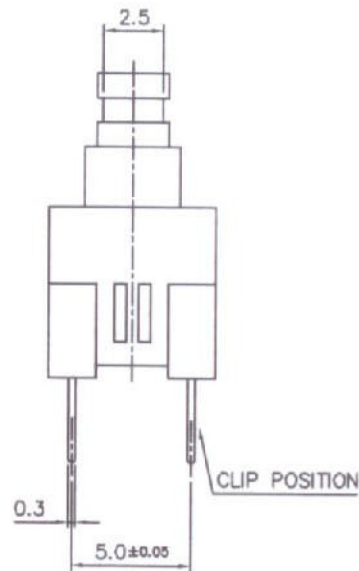
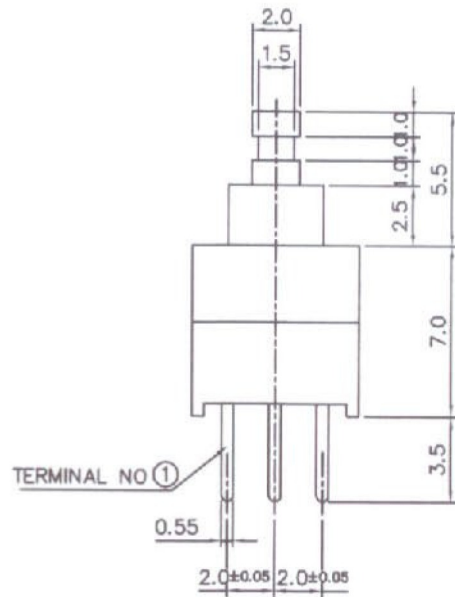


PCB DIMENSION



NOTE

1. RATING : DC 30V 0.1A
2. CIRCUIT : 2C - 2P
3. TIMING : NON SHORTING
4. OPERATING FORCE : 200±80gf
5. STROKE : FULL : 2.5mm
LOCK : 1.5mm
6. OPERATING MODE : SELF LOCK
7. MANUFACTURING SPECIFICATION WOULD BE IN ACCORDANCE WITH HP0101



PART NO	PART NAME	Q'TY	MATERIAL	STANDARD	DISPOSITION	REMARKS
△			TRIGON-OMETRY	UNIT	SCALE	PUSH SWITCH
△			APPD	CHKD	BSGD	
△						
△						
△						
NO	CORRECTION				MODEL	SW-PYP 2271