

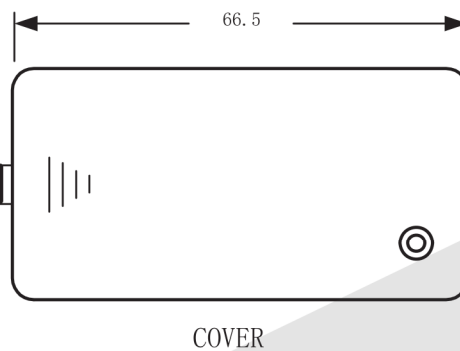
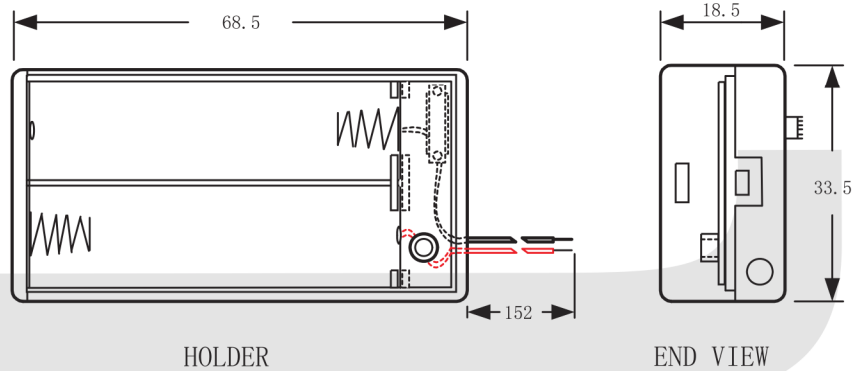
FUSE AND FUSE HOLDER



Cell Box Series

KLS5-805 UM-3 OR "AA" Cell Box Series

WIRE: UL 1007, # 26 AWG
BLACK & RED: 150 MM 5MM
STRIP & TIN: 5 MM 1MM
MATERIAL: A. B. S. RESIN, BLACK COLOR
SPRING: .6 MM 65C SPRING WIRE
DESCR: FOR TWO "AA" CELLS, ON-OFF Sliding Switch
WITH COVER & SCREW
SERIES CONNECTION, 3 VOLTS



ORDER INFORMATION

Product NO.: **KLS5-805-B**

Part Number
Cell Box Series

TYPE:
B:With Wire And with switch L=15cm or other