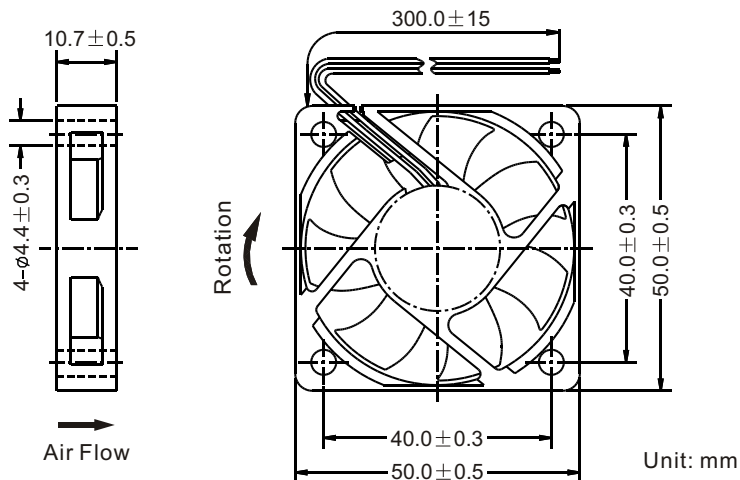


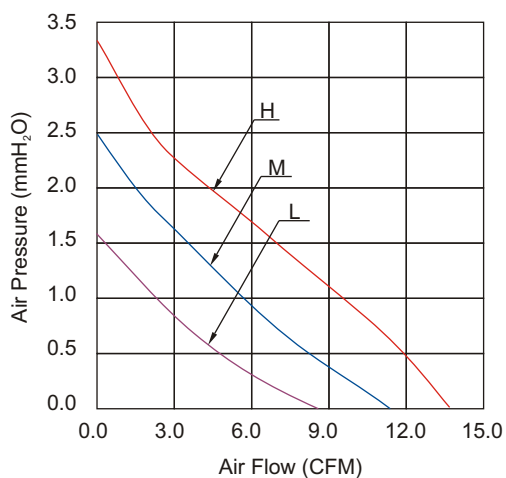
50x50x10mm



■ Dimensions Drawing



■ Performance Curves



General Specification:

- Frame and Impeller : Thermal Plastic , UL 94V-0
- Lead Wires : UL Type  
(+) : Red (-) : Black
- Operation Temperature : -10°C~70°C、  
35%~85%RH
- Storage Temperature : -40°C~80°C、  
35%~85%RH



Listed Model	Bearing System	Rated Voltage	Operation Voltage	Rated Current	Rated Speed	Air Flow	Air Pressure	Noise Level	Available Features (Optional)				Weight
		VDC	VDC	A	RPM	CFM	mmH <sub>2</sub> O	dBA	Tachometer Output	Rotation Detector	Thermal Control	Pulse Width Modulation	g
RDH5010S5	Sleeve	5	3.5~5.75	0.30	5,300	13.2	3.3	32	•	•			19
RDM5010S5			3.5~5.75	0.20	4,500	11.0	2.5	28	•	•			
RDL5010S5			3.5~5.75	0.14	3,500	8.6	1.6	22	•	•			
RDH5010B5	Ball		3.5~5.75	0.30	5,300	13.2	3.3	32	•	•			
RDM5010B5			3.5~5.75	0.20	4,500	11.0	2.5	28	•	•			
RDL5010B5			3.5~5.75	0.14	3,500	8.6	1.6	22	•	•			
RDH5010S	Sleeve	12	6.0~13.8	0.16	5,300	13.2	3.3	32	•	•			
RDM5010S			6.0~13.8	0.08	4,500	11.0	2.5	28	•	•			
RDL5010S			7.0~13.8	0.07	3,500	8.6	1.6	22	•	•			
RDH5010B	Ball		6.0~13.8	0.16	5,300	13.2	3.3	32	•	•			
RDM5010B			6.0~13.8	0.08	4,500	11.0	2.5	28	•	•			
RDL5010B			7.0~13.8	0.07	3,500	8.6	1.6	22	•	•			

Notes: ©All readings are typical values at rated voltage.  
©Specifications are subjected to change without prior notice.