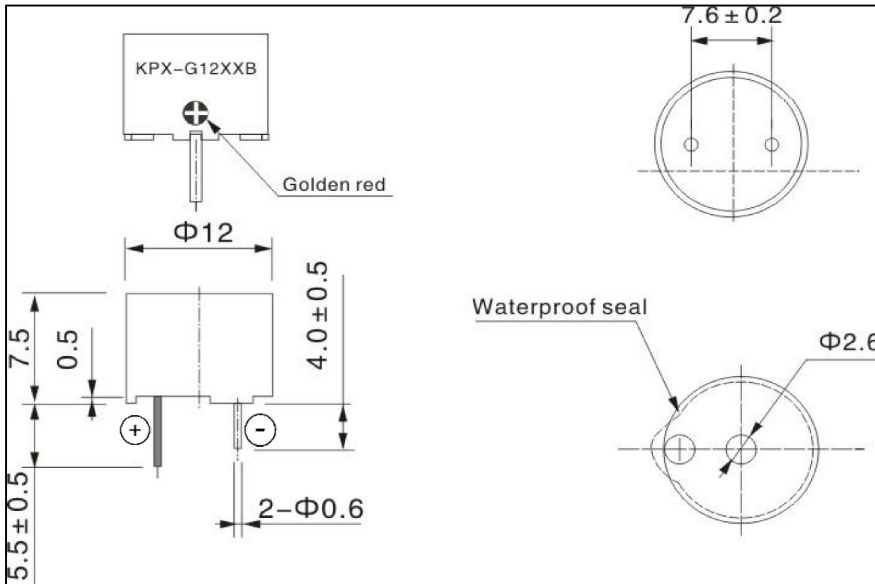


Technical datasheet: KPX-G1212B-K6401

Specifications:

Operating Temperature	-20°C to +70°C
Storage Temperature	-30°C to +80°C
Rated Voltage	12VDC
Operating Voltage	8VDC to 15VDC
Max. Rated Current	30mA at 12VDC
Resonant Frequency	3.1kHz±0.5kHz
Min SPL	85dB/ 12VDC/ 10cm
Weight	2g
Case Material/Color	PBT/Black
Tone Nature	Continuous

Dimensions:



Frequency Response:

