

Part-number description

Code of series	Code name	Contact structure	Operation mode	Lamp type	◆ Operation position of selector and key-lock type	Lamp color	Lamp and buzzer's voltage	The crust material
	AGQ	11 1NO1NC	Z Latching type	D Dot	2 Two position	R Red	AC/DC 6V	S Stainless steel
	AGQ30	22 2NO2NC	X Selector type Y Key-lock type M Buzzer SM Flash buzzer No letter means momentary	E Ring	3 Three positions	G Green Y Yellow O Orange B Blue W White	AC/DC 12V AC/DC 24V AC/DC 110V AC/DC 220V Note: Other voltage can be made to order	A Aluminium Alloy (Black anodized)

Note: Pls read the catalog carefully, and choose the right part-number according to the sign

Switch Rating

Rated Insulation Voltage Ui		250V			
Thermal Current Ith		5A			
Rated voltage		12V	24V	110V	220V
Rated Operation Current	AC 50/60Hz	Resistive load	—	—	1A 0.5A
		Inductive load	—	—	0.7A 0.5A
Current	DC	Resistive load	1A	1A	0.2A —
		Inductive load	0.7A	0.7A	0.1A —
Contact material		Silver Alloy			

Minimum load: 3V AC/DC, 5mA (Reference)

Application scope depends on operating environment and load type

Lamp Ratings

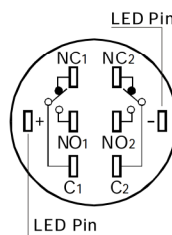
Lamp Type	LED Lamp (AC/DC)
LED Color	R G Y O B W
Life	40000 hours (Reference)
Rated Voltage	AC/DC6V, AC/DC12V, AC/DC110V AC/DC24V, AC/DC36V, AC/DC220V
Rated Current	About 15mA; About 2mA
Dropping life	Inner resistance; Outer resistance when using 6V lamp.
Lamp Circuit Diagram	Using AC/DC LED lamp, the terminals have no difference of anode and cathode: Using inner resistance, do not need connect outer resistance

Note: DC LED and other voltage can be made to order

Certification



Terminal Description



Two sets at most

C1, NO1, NC1 and C2, NO2, NC2

are one set respectively. C is common used,

NO is normal opened, NC is normal closed;

+ , - are lamp terminals, the standard LED

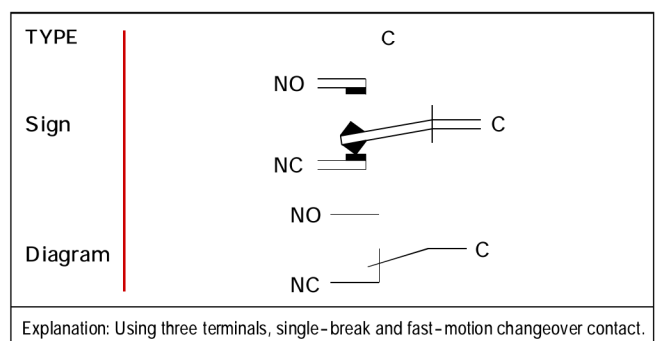
have no difference of anode and cathode;

Lamp and switch are relatively independent

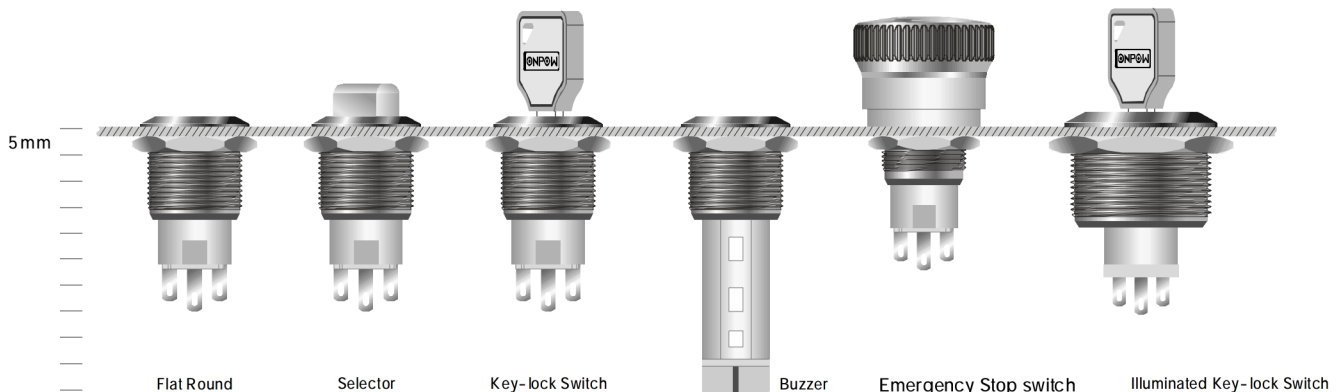
and can use switch or peripheral circuit to

control the lamp state.

Switching Operation



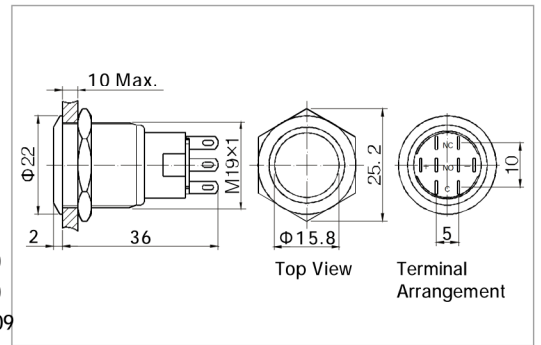
Installation Effect



Metal push button



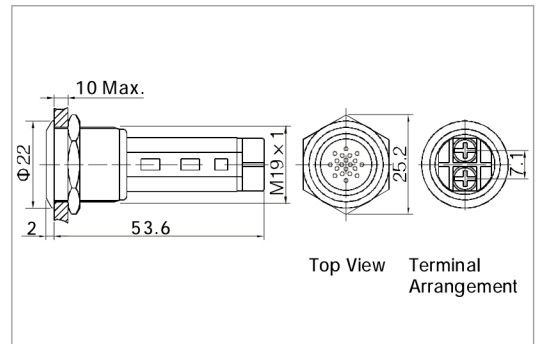
- ⊙ Φ 19mm Diameter
- ⊙ Switch Rating: Ith:5A, Ui:250V
- ⊙ Contact Configuration(□): 1NO1NC(11)
2NO2NC(22)
- ⊙ Operation Type(■): Momentary /
Latching(Z)
- ⊙ The Crust Material(○): Stainless steel(S)
/Aluminium Alloy black anodized(A)
- ⊙ IP Degree: IP65(IP67 made to order),IK09



Metal buzzer



- ⊙ Φ 19mm Diameter
- ⊙ Buzzer(M) / Flicker Buzzer(SM)
- ⊙ Color(Δ): R G Y O B W
- ⊙ Rated Voltage(▲): DC12V / DC24V
AC110V / AC220V
- ⊙ Sound Intensity: ≥85dB(0.1m)
- ⊙ The Crust Material: Stainless steel
- ⊙ IP Degree: IP50,IK04



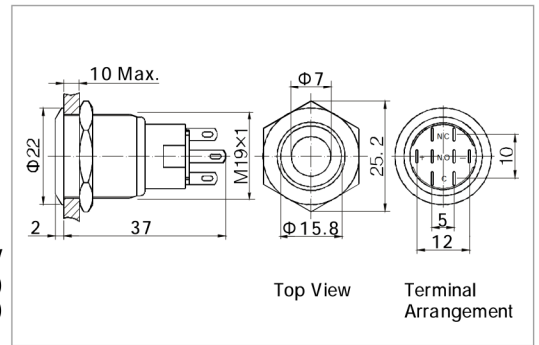
Specification	LAS1-AGQ-□■/○	LAS1-AGQ-■/▲
The Front Shape	Flat Round	Flat Round Honeycomb
Terminal Type	Pin Terminal(2.8×0.5mm)	Screw Terminal
Switching	C(single-break fast-motion changeover contact)	---
Max. Switch Rating	Ith:5A Ui:250V	---
Contact Resistance	≤50mΩ	---
Insulation Resistance	≥1000MΩ	---
Dielectric Intensity	2000VAC	2000VAC
Operating Temp	-20℃ ~ +55℃	-20℃ ~ +55℃
Mechanical Life	1,000,000 cycles	---
Electrical Life	50,000 cycles	---
Panel Thickness	1 ~ 10mm	1 ~ 10mm
Torque	5 ~ 14Nm	5 ~ 14Nm
Operation Pressure	3 ~ 5N	---
Operation Travel	About 3.1 mm	---
IP Degree	IP65(IP67 made to order),IK09	IP50,IK04
Material	Contact	Silver Alloy
	Button	Stainless Steel / Aluminum alloy
	Body	Stainless Steel / Aluminum alloy
	Base	PBT
	RoHS	Made to order
Buzzer	Type	---
	Rated Voltage	---
Spec.	Color	---
	Sound Intensity	---

LAS1-AGQ

Metal dot illuminated push button



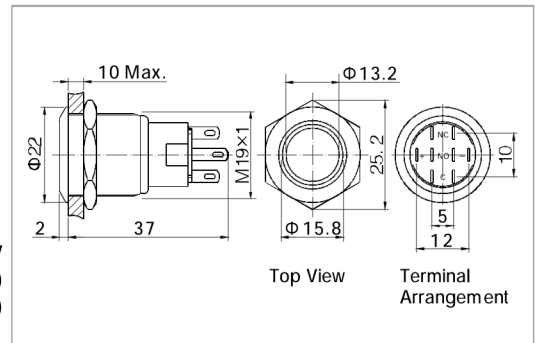
- ◎ Φ 19mm Diameter
- ◎ Switch Rating: Ith:5A, Ui:250V
- ◎ Contact Configuration(□):1NO1NC(11)
2NO2NC(22)
- ◎ Operation Type(■): Momentary / Latching(Z)
- ◎ Dot illuminated
- ◎ LED Color(△): **R G Y O B W**
- ◎ LED Voltage(▲): 6V/12V/24V/110V/220V
- ◎ The Crust Material(◎): Stainless steel(S) /Aluminium Alloy black anodized(A)
- ◎ IP Degree: IP65(IP67 made to order), IK09



Metal ring illuminated push button



- ◎ Φ 19mm Diameter
- ◎ Switch Rating: Ith:5A, Ui:250V
- ◎ Contact Configuration(□):1NO1NC(11)
2NO2NC(22)
- ◎ Operation Type(■): Momentary / Latching(Z)
- ◎ Ring illuminated
- ◎ LED Color(△): **R G Y O B W**
- ◎ LED Voltage(▲): 6V/12V/24V/110V/220V
- ◎ The Crust Material(◎): Stainless steel(S) /Aluminium Alloy black anodized(A)
- ◎ IP Degree: IP65(IP67 made to order), IK09

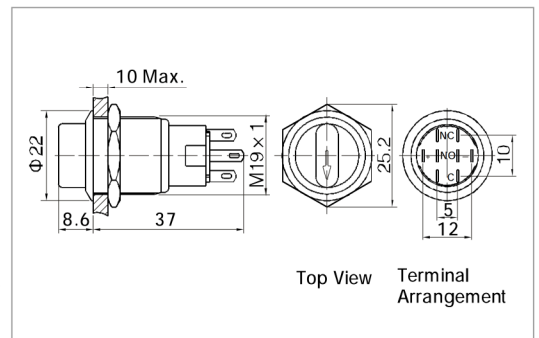


Specification	LAS1-AGQ-□■D/△/▲/◎	LAS1-AGQ-□■E/△/▲/◎
The Front Shape	Flat Round	Flat Round
Terminal Type	Pin Terminal(2.8×0.5mm)	Pin Terminal(2.8×0.5mm)
Switching	C(single-break fast-motion changeover contact)	C(single-break fast-motion changeover contact)
Max. Switch Rating	Ith:5A Ui:250VAC	Ith:5A Ui:250VAC
Contact Resistance	≤ 50mΩ	≤ 50mΩ
Insulation Resistance	≥ 1000MΩ	≥ 1000MΩ
Dielectric Intensity	2000VAC	2000VAC
Operating Temp	-20℃ ~ +55℃	-20℃ ~ +55℃
Mechanical Life	1,000,000 cycles	1,000,000 cycles
Electrical Life	50,000 cycles	50,000 cycles
Panel Thickness	1 ~ 10mm	1 ~ 10mm
Torque	5 ~ 14Nm	5 ~ 14Nm
Operation Pressure	3 ~ 5N	3 ~ 5N
Operation Travel	About 3.1mm	About 3.1mm
IP Degree	IP65(IP67 made to order),IK09	IP65(IP67 made to order),IK08
Material	Contact	Silver Alloy
	Button	Stainless Steel / Aluminum alloy(Black)
	Body	Stainless Steel / Aluminum alloy(Black)
	Base	PBT
	RoHS	Made to order
LED	Type	Dot Illuminated(LED)
	Rated Voltage	6V / 12V / 24V / 110V / 220V
Spec.	Color	R G Y O B W
	Life	40000 hours

Metal (illuminated) selector switch



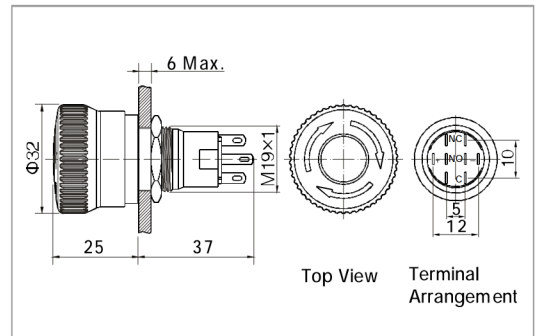
- Φ 19mm Diameter
- Switch Rating: Ith:5A, Ui:250V
- Contact Configuration(□): 1NO1NC(11)
2NO2NC(22)
- Operation Position(◆):
Two position Maintain(2)
Three position Maintain(3)
- Arrowhead Illuminated
- LED Color(Δ): R G Y O B W
- LED Voltage(▲): 6V/12V/24V/110V/220V
- The Crust Material: Stainless steel
- IP Degree: IP65(IP67 made to order), IK02



Metal emergency stop switch



- Φ 19mm Diameter
- Switch Rating: Ith:5A, Ui:250V
- Contact Configuration(□): 1NO1NC(11)
2NO2NC(22)
- Operation Type: Push-lock Turn-reset
- The Crust Material: Aluminium alloy
- IP Degree: IP65, IK02



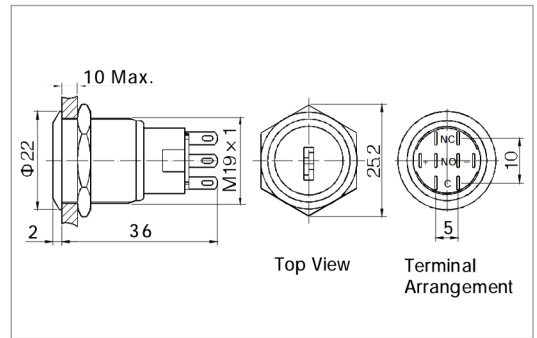
Specification	LAS1-AGQ-□X/◆/△/▲/☆	LAS1-AGQ-□TS			
The Front Shape	Selector	Mushroom			
Terminal Type	Pin Terminal(2.8×0.5mm)	Pin Terminal(2.8×0.5mm)			
Switching	C(single-break fast-motion changeover contact)	C(single-break fast-motion changeover contact)			
Max. Switch Rating	Ith:5A Ui:250V	Ith:5A Ui:250V			
Contact Resistance	≤50mΩ	≤50mΩ			
Insulation Resistance	≥1000MΩ	≥1000MΩ			
Dielectric Intensity	2000VAC	2000VAC			
Operating Temp	-20℃ ~ +55℃	-20℃ ~ +55℃			
Mechanical Life	500,000 cycles	200,000 cycles			
Electrical Life	50,000 cycles	50,000 cycles			
Panel Thickness	1 ~ 10mm	1 ~ 10mm			
Torque	5 ~ 14Nm	5 ~ 14Nm			
IP Degree	IP65(IP67 Made to order),IK02	IP65(IP67 Made to order),IK02			
Material	Contact	Silver Alloy			
	Button	Stainless Steel			
	Body	Stainless Steel			
	Base	PBT			
	RoHS	Made to order			
LED Spec.	Type	Arrowhead(LED)			
	Rated Voltage	6V / 12V / 24V / 110V / 220V			
	Color	R G Y O B W			
	Life	40000 hours			
LAS1-AGQ State chart in operation	Position	Contact	Left	Center	Right
	90° Two position	1NO1NC	NO NC		NO NC
		2NO2NC	NO NC NO NC 左触点C 右触点C		NO NC NO NC 左触点C 右触点C
45° Three position	2NO2NC	NO NC NO NC 左触点C 右触点C	NO NC NO NC 左触点C 右触点C	NO NC NO NC 左触点C 右触点C	

Metal key lock switch



LAS1-AGQ-□Y/◆●

- Φ 19mm Diameter
- Switch Rating: Ith:5A, Ui:250V
- Contact Configuration(□): 1NO1NC(11)
2NO2NC(22)
- Operation Type(◆●):
Two Position Maintain(21)
Two Position Return(23)
Three Position Maintain(31)
- The Crust Material: Stainless steel
- IP Degree: IP65, IK02

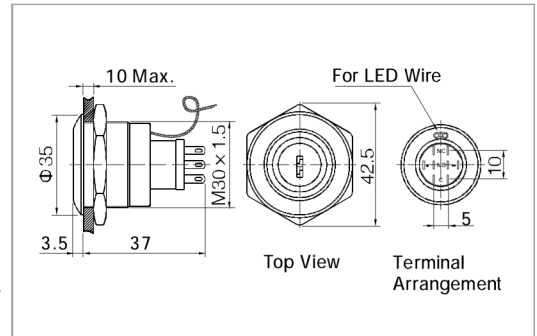


Metal illuminated key lock switch



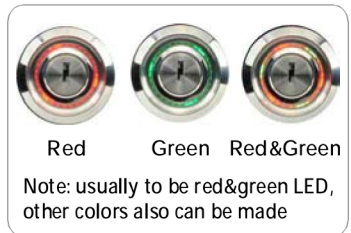
LAS1-AGQ30-□Y/◆●/△△/▲

- Φ 30mm Diameter
- Switch Rating: Ith:5A, Ui:250V
- Contact Configuration(□): 1NO1NC(11)
2NO2NC(22)
- Operation Type(◆●):
Two Position Maintain(21)
Two Position Return(23)
Three Position Maintain(31)
- Ring Illuminated
- LED Color(△): R G Y O B W
- LED Voltage(▲): 6V/12V/24V/110V/220V
- IP Degree: IP40, IK03



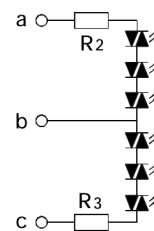
Specification	LAS1-AGQ-□Y/◆●	LAS1-AGQ30-□Y/◆●/△△/▲			
The Front Shape	Key Lock	Key Lock			
Terminal Type	Pin Terminal(2.8×0.5mm)	Pin Terminal(2.4×0.3mm)			
Switching	C(single-break fast-motion changeover contact)	C(single-break fast-motion changeover contact)			
Max. Switch Rating	Ith:5A Ui:250V	Ith:5A Ui:250V			
Contact Resistance	≤50mΩ	≤50mΩ			
Insulation Resistance	≥1000MΩ	≥1000MΩ			
Dielectric Intensity	2000VAC	2000VAC			
Operating Temp	-20℃ ~ +55℃	-20℃ ~ +55℃			
Mechanical Life	500,000 cycles	500,000 cycles			
Electrical Life	50,000 cycles	50,000 cycles			
Panel Thickness	1 ~ 10mm	1 ~ 10mm			
Torque	5 ~ 14Nm	8 ~ 18Nm			
IP Degree	IP65,IK02	IP40,IK03			
Material	Contact	Silver Alloy			
	Button	Stainless Steel			
	Body	Stainless Steel			
	Base	PBT			
LED	RoHS	Made to order			
	Type	---			
	Rated Voltage	---			
	Color	---			
Spec.	Life	---			
		40000 hours			
LAS1-AGQ State chart in operation	Position	Contact	Left	Center	Right
	90° 2 Two position	1NO1NC			
		2NO2NC			
	45° 3 Three position	2NO2NC			

Flame Display



Implication

- Do not need outer resistance
- Many LED color to choose
- Special color through mixed flame color
- Different select by changing contact open - close state



LAS1-AGQ