

Part-number Description >>

GQ	★	■	- □	◇	/ ◆	/ △	/ ▲	/ ©
Code of series	Mounting hole 8 Φ8mm 12 Φ12mm 16 Φ16mm 19 Φ19mm	The Front shape B Domed F Flat Round H High Round M Doorbell Push Button S Square <i>Note: Square type is just for GQ12</i>	Contact structure 10 1NO	Lamp type D Dot E Ring	Connect type J Pin terminal No letter means screw terminal	Lamp color and colorized button R Red G Green Y Yellow O Orange B Blue W White N Black	Lamp voltage AC/DC 6V AC/DC 12V AC/DC 24V AC/DC 36V <i>Note: Other voltage can be made to order</i>	The crust material N Nickel-plated Brass G Gold-plated Brass S Stainless steel A Zn-Al alloy (black) T Zn-Al (silvery white) PC Engineering plastic

Note: 1、Pls read the catalog carefully, and choose the right part-number according to the sign.
2、Φ16(NC) and Φ19(NC) can be made to order for the screw terminal type.

Lamp Ratings >>

Lamp Type	LED lamp(AC/DC)				Lamp Circuit diagram
Rated Voltage	AC/DC6V	AC/DC12V	AC/DC6V	AC/DC12V	
Rated Current	About 15mA				
LED Color	R G Y O B W				
Life	40000 hours(Reference)				

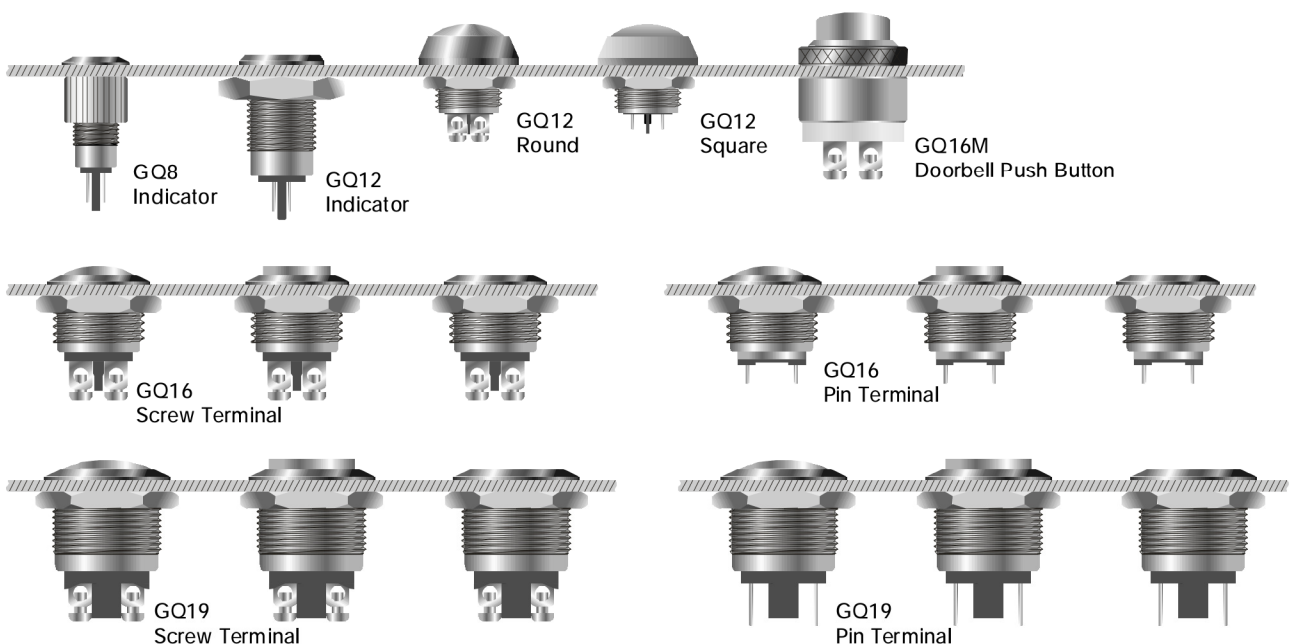
Using AC/DC LED lamp, the terminals have no difference of anode and cathode: Using inner resistance, do not need connect outer resistance. **GQ16 haven't inner resistance, need connect outer resistance.**

Note: DC LED and other voltage can be made to order.

Switching Operation >>

Type	Sign	Diagram	Explanation
X			Using two terminals, double-break and slow-motion contact. <i>Y type NC switch can be made to order for individual product, pls check the product description.</i>
Y			

Installation Effect >>

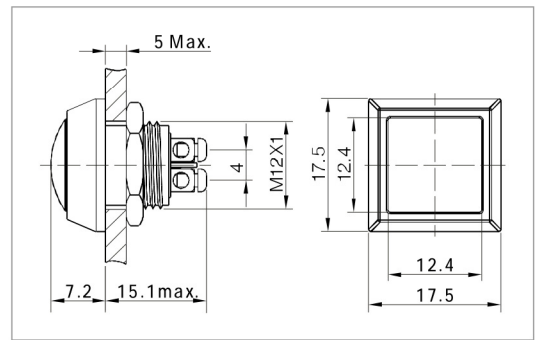


Check the detailed part number from P2

Square colored push button



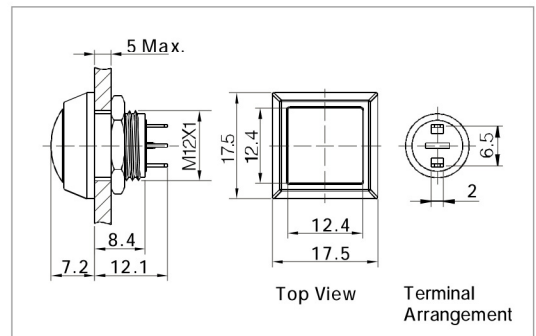
- ◎ Φ12mm Diameter
- ◎ Switch Rating: 2A/36VDC
- ◎ Contact Configuration: 1NO
- ◎ Operation Type: Momentary
- ◎ The Crust Material: Zn-Al Alloy (A: black, T:silvery white)
- ◎ Material of actuator: PBT
- ◎ Head Color: R G Y O B W N
- ◎ IP Degree: IP65,IK08



Square colored push button



- ◎ Φ12mm Diameter
- ◎ Switch Rating: 2A/36VDC
- ◎ Contact Configuration: 1NO
- ◎ Operation Type: Momentary
- ◎ The Crust Material: Zn-Al Alloy (A: black, T:silvery white)
- ◎ Material of Actuator: PBT
- ◎ Head Color: R G Y O B W N
- ◎ IP Degree: IP65,IK08



Specification	GQ12S-10/Δ/◎	GQ12S-10/J/Δ/◎
The Front Shape	Square	Square
Terminal Type	Screw Terminal	Pin Terminal(2×0.5mm)
Switching	X(double-break slow-motion contact)	X(double-break slow-motion contact)
Max. Switch Rating	2A/36VDC	2A/36VDC
Contact Resistance	≤50mΩ	≤50mΩ
Insulation Resistance	≥1000MΩ	≥1000MΩ
Dielectric Intensity	2000VAC	2000VAC
Operating Temp	-20℃ ~ +55℃	-20℃ ~ +55℃
Mechanical Life	1,000,000 cycles	1,000,000 cycles
Electrical Life	200,000 cycles	200,000 cycles
Panel Thickness	1 ~ 5mm	1 ~ 5mm
Torque	5 ~ 14Nm	5 ~ 14Nm
Operation Pressure	About 5N	About 5N
Operation Travel	About 2.5mm	About 2.5mm
IP Degree	IP65,IK08	IP65,IK08
Material	Contact	Sliver Alloy
	Button	PBT
	Body	Zn-Al Alloy
	Base	PBT
	RoHS	Made to order
Head Color	R G Y O B W N	R G Y O B W N