

TERMINAL BLOCK Connector



PCB Series

KLS2-128I-5.00/5.08 Series Pitch=5.00mm/5.08mm

Electrical :

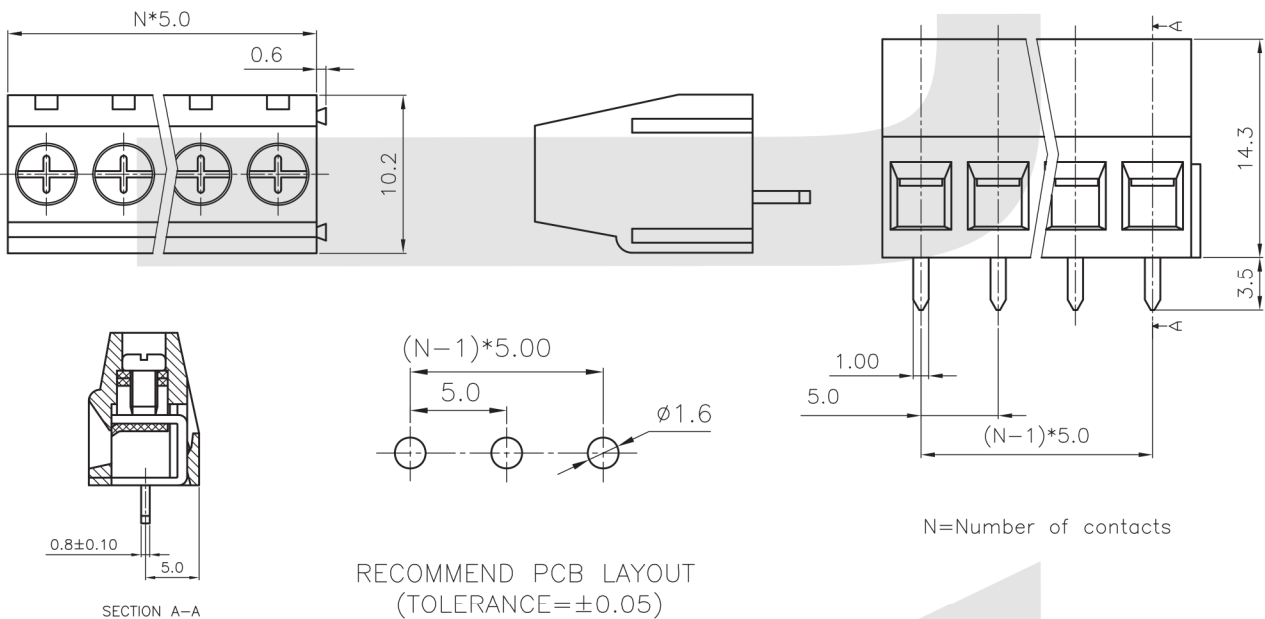
Rated voltage: 300V
 Rated current: 16A
 Contact resistance: 20mΩ
 Insulation resistance: 5000MΩ/1000V
 Withstanding Voltage: AC1500V/1Min
 Wire range: 24-12AWG 2.5mm²

Material

Screws: M2.5 steel Zinc plated
 Contact: Brass
 Pin header: Brass, Tin plated
 Housing: PA66, UL94V-0

Mechanical

Temp. Range: -40°C~+105°C
 MAX Soldering: +250°C for 5 Sec.
 Torque: 0.4Nm (3.6lb.in)
 Strip length: 6-7mm



ORDER INFORMATION

Product NO.: KLS2-128I-5.00-XXP X X X

Pos. NO.	Customer Request
Series No.	Screw: C=Cross Screw S=Slot Screw
Pitch: 5.00=5.00mm 10.00=10.00mm 5.08=5.08mm 10.16=10.16mm	Color: 1=Gray 2=Blue 3=Black 4=Green 5=Orange 6=Red 7=Transparent 8=Yellow 9=White
Number of Pole	