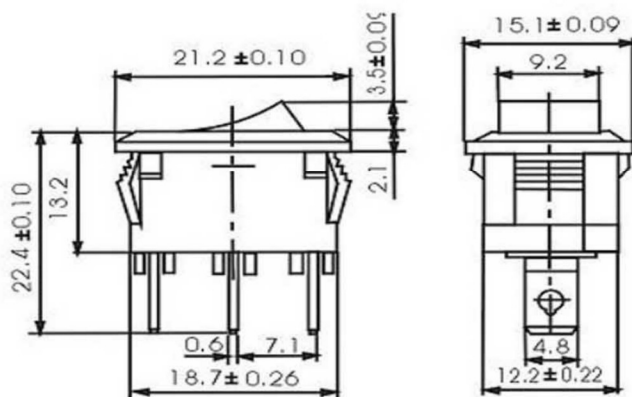
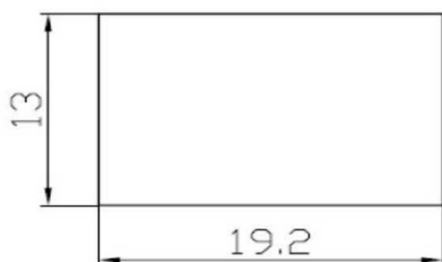


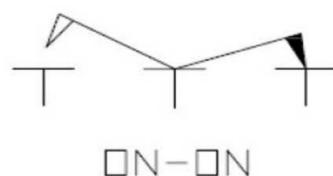
## 外型图 (Outline Drawing)



## 安装尺寸 (Mounting)



## 电路图 (Circuitry)



## 技术特性

1. 规格

2. 接触电阻

3. 绝缘电阻

4. 耐电压

5. 操作温度

6. 电气寿命

## Specification

**Rating:**

**6A125V 3A250VAC**

**10A125V 6A250VAC**

**Contact Resistance:**

**35mΩ max**

**Insulation Resistance:**

**500VDC 100MΩ min**

**Dielectric Strength:**

**1500VAC, 1Minute**

**Operating Temperature:**

**-25°C ~ +85°C**

**Electrical Life:**

**10000 Cycles**