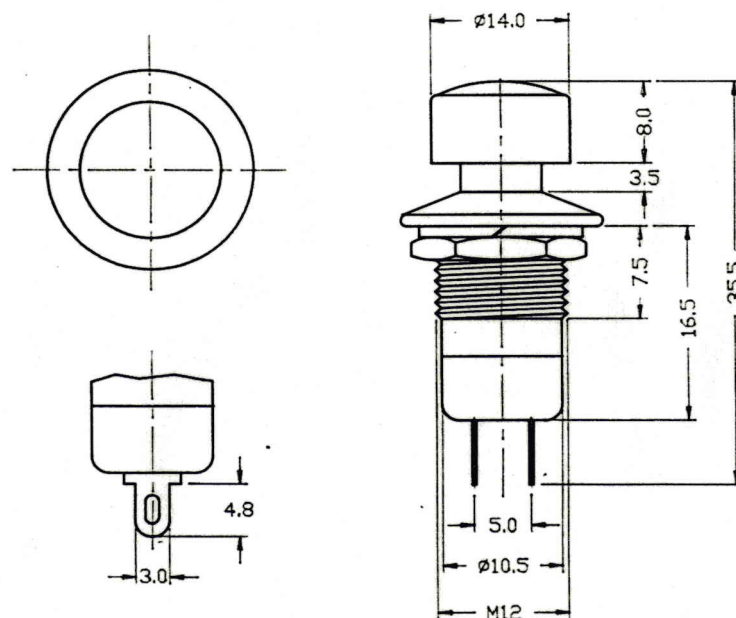


CHARACTERISTICS		Rating	3A 125VAC
		Terminal	
		Item No.	PB-301A ON-OFF PB-301B OFF-(ON) PB-301C ON-(OFF)
Contact resistance	50mΩ max. (initial)		
Insulation resistance	100MΩ min. (at 500 VDC)		
Dielectric strength	1,000 VAC,50/60Hz for 1 minute between		
Mechanically service life	100,000 operations min.		
Electrically service life	50,000 operations min.		



海立電氣有限公司
HIGHLY ELECTRIC CO LTD

修正REVISION	日期DATE	說明DESCRIPTION	審核CHECKED	單位UNIT	材質MATERIAL	日期DATE	料號
			劉克威 11/4	m/m		81.11.13	PB-301
			繪圖DRAWN	比例SCALE	公差TOLERANCE	加工PROCESS	檔名
			CHIN	1.5=1.	±0.15		PB-301