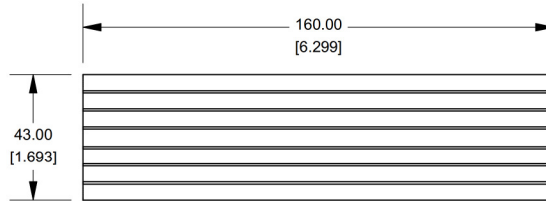
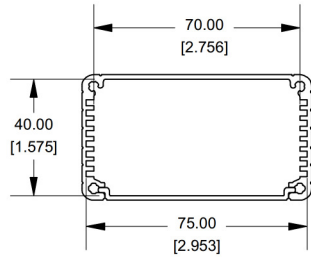
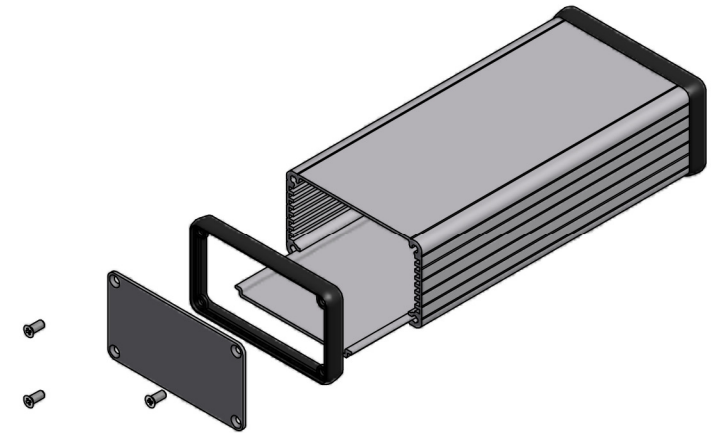


Extrusion

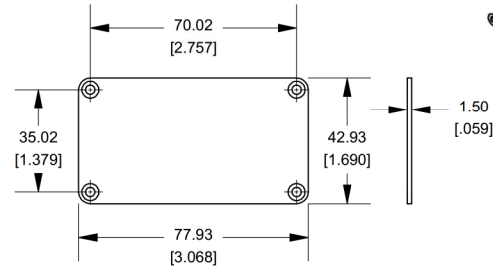
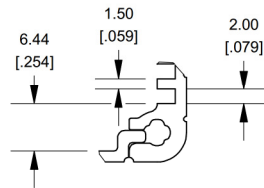


EXTRUSION DESIGNED FOR 75MM WIDE PC BOARD

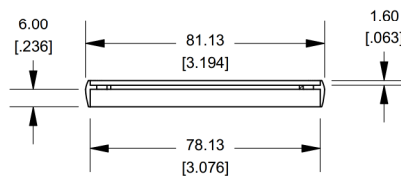
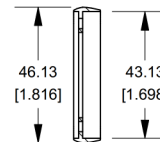
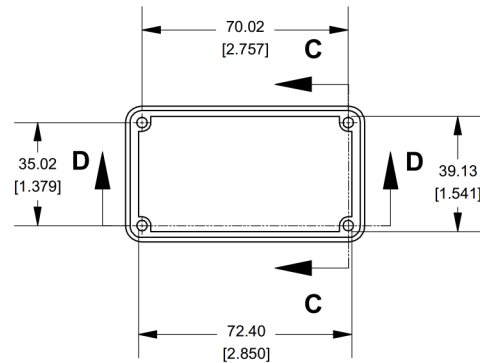
End Plate



Slot Details



Open Bezel



OPTIONAL FLANGE END PANELS 1455KF

NOTE
Purchased assembly includes box, plastic bezels, end panels, #6 Taptight screws and self adhesive rubber feet.
Box made from Extruded Aluminum 6063.
Bezels made with polycarbonate.

1455K1601	
PART NUMBERS	
Clear Anodized	1455K1601
Black Anodized	1455K1601BK
ACCESSORIES	
See website for accessories.	



Enclosures can be Factory Modified (Milling, Drilling, Printing etc.)
Solid models of this enclosure available in STEP or IGES.
Contact Factory mjm@hammondmfg.com