

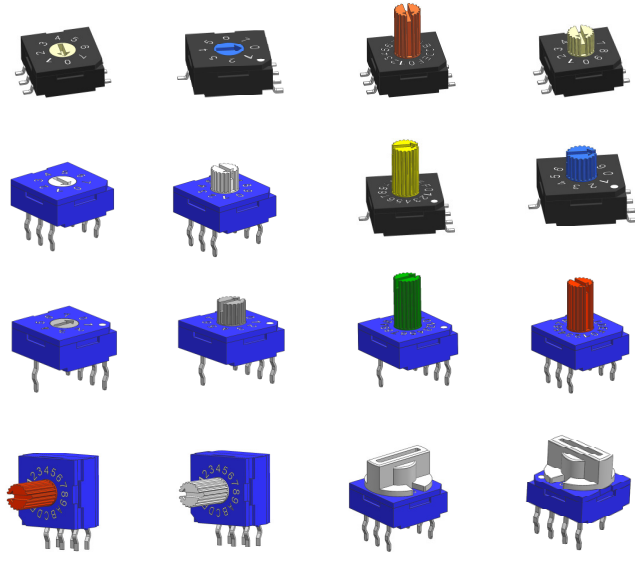


Features

- ◆ Sealed Construction; No Tape Seal Required.
- ◆ Surface Mount or Thru-Hole Style.
- ◆ Tube or Tape and Reel Packaging.
- ◆ Octal, BCD, and Hexadecimal Code.
- ◆ In Real or Complement.
- ◆ Standard and Right Angle Mount.
- ◆ Flush or Extended Actuators.
- ◆ Gold-Plated Contacts.
- ◆ Waterproof.

Specifications

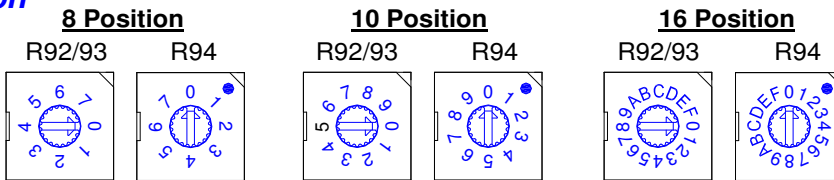
- ◆ Contact Rating
 - Switching : 5VDC 20mA (Min. AC/DC 20mA 1μA)
 - Non Switching : Max. 50VDC 100mA
- ◆ Contact Resistance : 100mΩ Max
- ◆ Insulation Resistance : 1,000MΩ Min. at 100VDC
- ◆ Dielectric Strength : 250VAC for 1 minute
- ◆ Operating Force : 250gf/cm
- ◆ Life : 20,000 Steps
- ◆ Operating Temperature : -40°C ~+85°C
- ◆ Storage Temperature : -40°C ~+125°C(Reflow Soldering)
- ◆ Wave Soldering : 270°C 5 Sec. Max.
- ◆ Reflow Soldering : 260°C 10~30 Sec. Max.
- ◆ Hand Soldering : 350°C 3 Sec. Max



Code Format

| No. of positions | | (10 positions) | | | | | | | | | | (16 positions) | | | | | | |
|------------------|--------------------|----------------|---|---|---|---|---|---|---|---|---|----------------|---|---|---|---|---|--|
| | | (08 positions) | | | | | | | | 8 | 9 | A | B | C | D | E | F | |
| Position | | 0 | 1 | 2 | 3 | 4 | 5 | 6 | 7 | 8 | 9 | A | B | C | D | E | F | |
| Code | Real code | 8 | | | | | | | | | | | | | | | | |
| | | 4 | | | | | • | • | | • | | | | | | | | |
| | | 2 | | | • | • | | | | • | | | | | | | | |
| | Complementary code | 1 | | • | | | | | | | | | | | | | | |
| | | 8 | • | • | • | • | • | • | • | • | | | | | | | | |
| | | 4 | • | • | • | • | | | | | • | • | | | | | | |
| | | 2 | • | • | | | | | | | | | | | | | | |
| | | 1 | • | | | | | | | | | | | | | | | |

Position



Order Information

R9=10*10mm (9.9*9.9mm)
Contact area with Gold-plated
Terminal with Tin-plated

Special Code
None=Standard
K=Black(Thru-Hole)
W=White

Number of pins
2=3+2pin
3=3+3pin
4=4+1pin

No. of positions
08:8 positions
10:10 positions
16:16 positions

Code:
R=BCD(Real)
C=BCD(Complementary)

Terminal Type
H=Thru Hole
S=SMD
V=Right Angle 2.54mm Pitch (Thru hole)
Y=Right Angle 5.08mm Pitch (Thru hole)
T=Thru Hole for Relow Soldering

Halogen Free
None=RoHS & REACH compliant
U=Halogen Free

Packing
None=Tube
R=Tape & Reel (0&1 Rotor only)

Rotor Style
0=Flat(Arrow)
1=0.5mm(Minus S;ot)
3=3mm(Minus Slot)
7=7mm(Minus Slot)

Order Example: R9 K 3 10 R 0 S -R -U

Package

| P/N | No. Of Pole | Quantity per Tube |
|-----------|--------------|-------------------|
| R92__H | 08 / 10 / 16 | 50 |
| R92__S | 08 / 10 / 16 | 50 |
| R92__V | 08 / 10 / 16 | 50 |
| R92__Y | 08 / 10 / 16 | 50 |
| R92__T | 08 / 10 / 16 | 50 |
| R93__H | 08 / 10 / 16 | 50 |
| R93__S | 08 / 10 / 16 | 50 |
| R93__V | 08 / 10 / 16 | 50 |
| R93__Y | 08 / 10 / 16 | 50 |
| R93__T | 08 / 10 / 16 | 50 |
| R94__H | 08 / 10 / 16 | 50 |
| R94__S | 08 / 10 / 16 | 50 |
| R94__V | 08 / 10 / 16 | 50 |
| R94__T | 08 / 10 / 16 | 50 |
| P/N | No. Of Pole | Quantity per Reel |
| R92__OS-R | 08 / 10 / 16 | 800 |
| R93__OS-R | 08 / 10 / 16 | 800 |
| R94__OS-R | 08 / 10 / 16 | 800 |

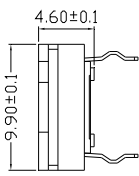
Knob Order Information

| KR1 | 08 Knob Color |
|-----|---------------|
| KR1 | 00:Blue |
| KR1 | 02:Green |
| KR1 | 03:Light Grey |
| KR1 | 04:Yellow |
| KR1 | 05:Dark Grey |
| KR1 | 06:White |
| KR1 | 08:Red |
| KR1 | 09:Black |

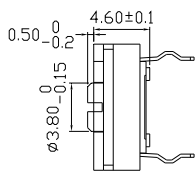


Rotor

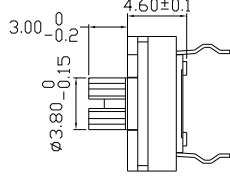
Flat



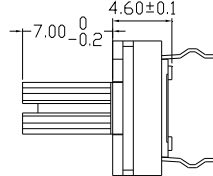
0.5mm



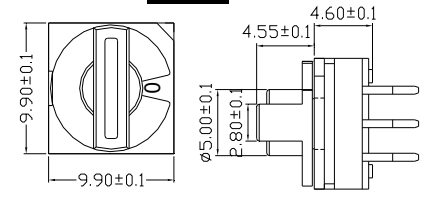
3mm



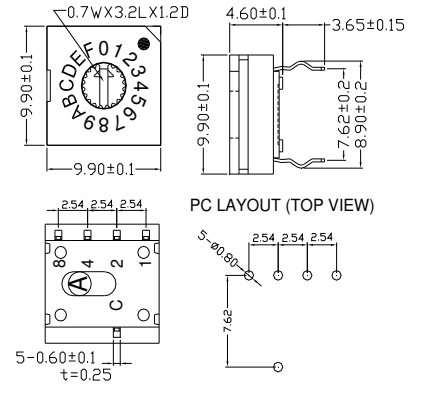
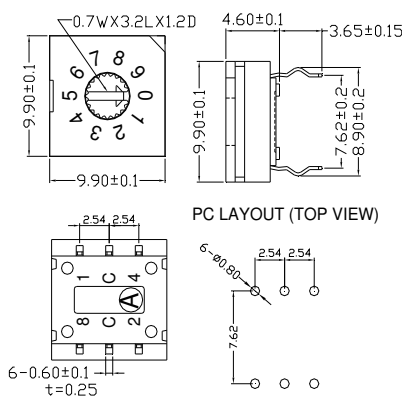
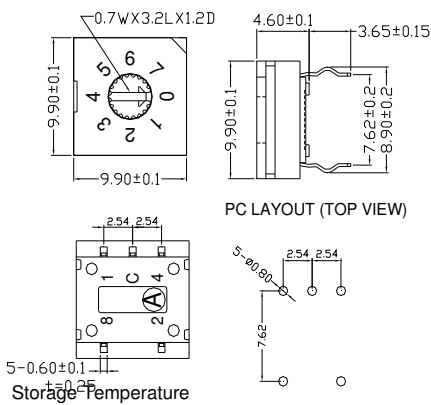
7mm



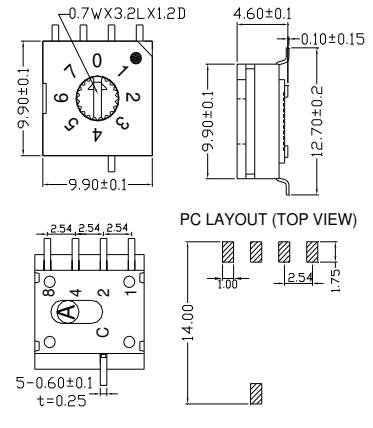
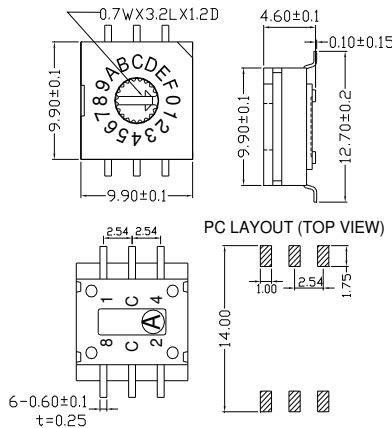
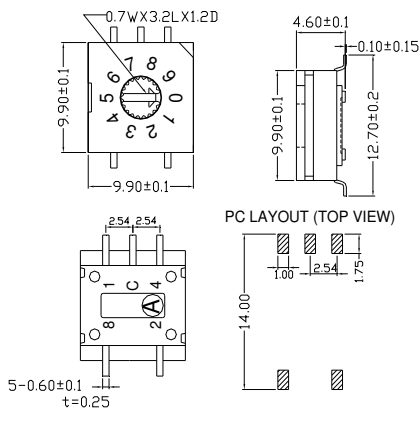
Knob



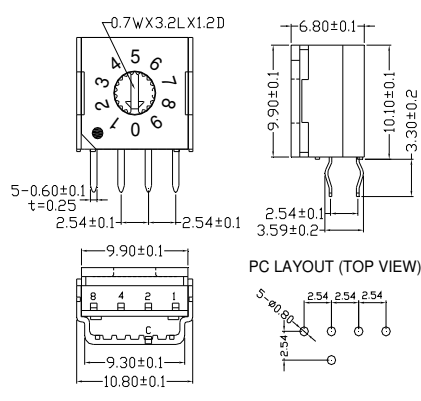
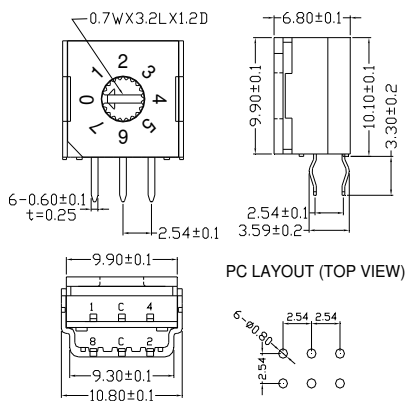
R9--H (Thru-Hole)



R9--S (SMD)



R9--V (Right Angle 2.54mm)



R9--Y (Right Angle 5.08mm)

