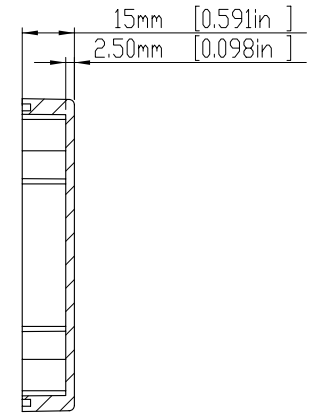
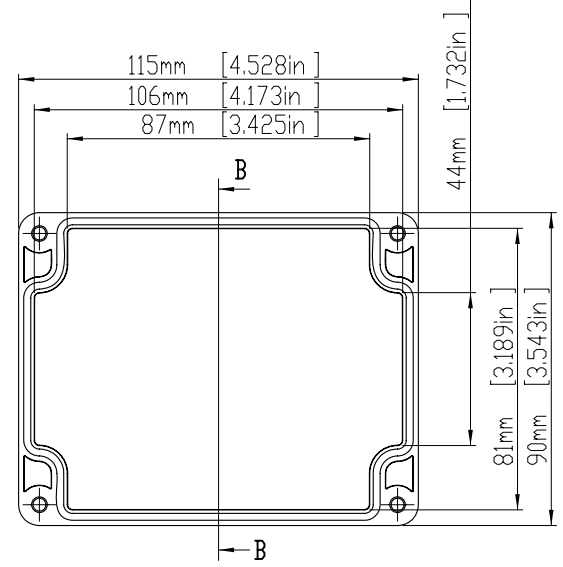


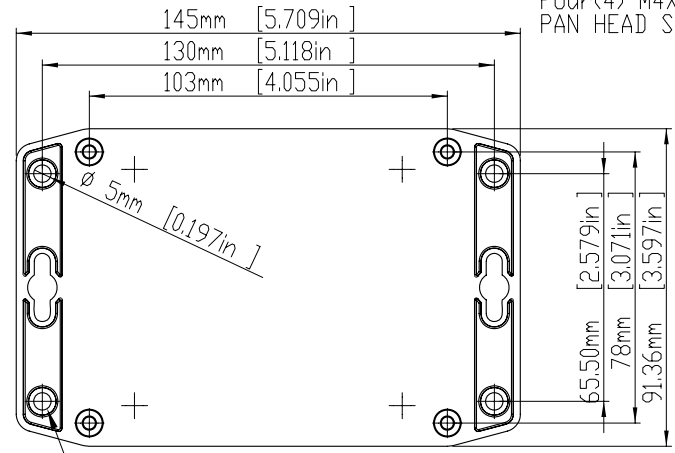
HOLES(4) ARE DESIGNED FOR M3X4mm SELF-TAPPING SCREWS USE.

2010/12  
115X90X40 mm

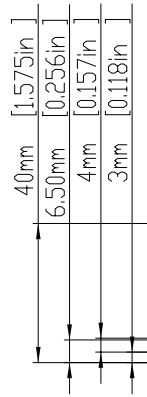
Four(4) M4X20mm PAN HEAD SCREWS.



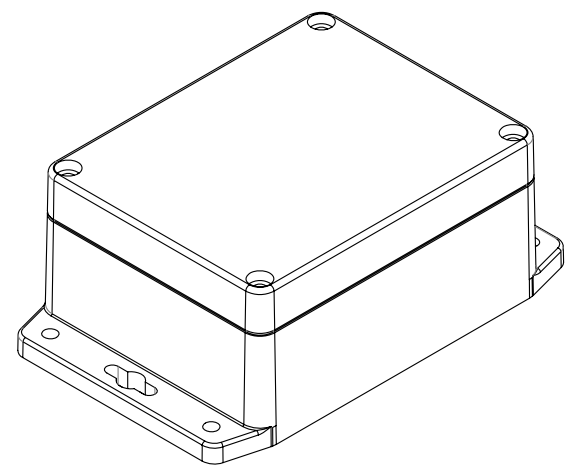
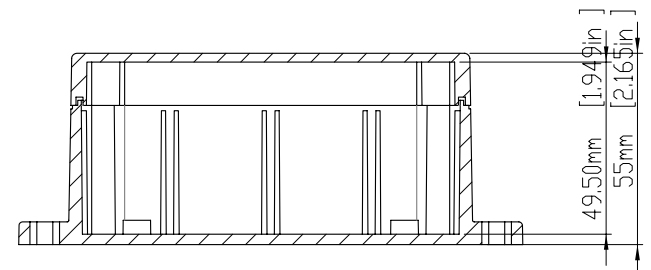
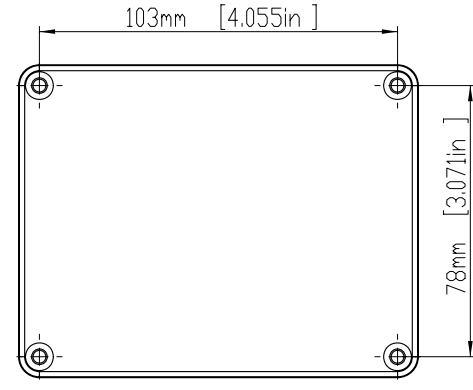
SECTION B-B  
SCALE 2 : 3



HOLES(4) ARE DESIGNED FOR M4 PAN HEAD MACHINE SCREWS USE.



SECTION A-A  
SCALE 2 : 3



TOLERANCES: +/- 0.30 mm (+/- 0.012in)

宜又實業有限公司 GAINTA INDUSTRIES LTD.	繪圖	DRA'D BY	日期	DATE	材質	MATE.	圖名TITLE:	圖號DWG NO:	版次REVISID:
		JACKY	2010/11/8		PC ; ABS		G212MF ; G311FW		A

STOCK NO.	MATERIAL	BASE-COLOR	COVER-COLOR
G212MF	POLYCARBONATE UL94-HB	LIGHT GRAY(RAL7035)	LIGHT GRAY(RAL7035)
G212CMF	POLYCARBONATE UL94-HB	LIGHT GRAY(RAL7035)	CLEAR
G311MF	ABS UL94-HB	DARK GRAY(RAL7000)	DARK GRAY(RAL7000)