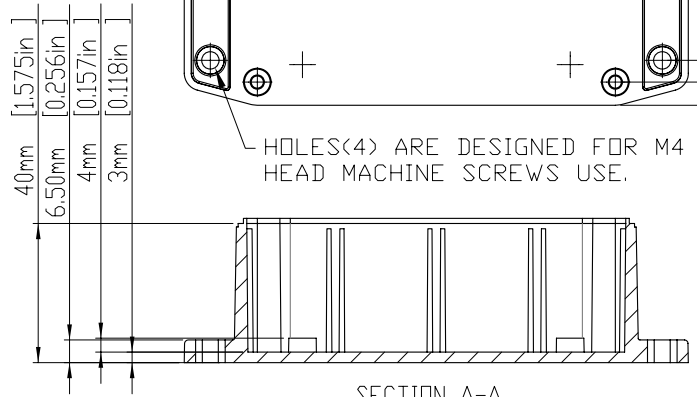
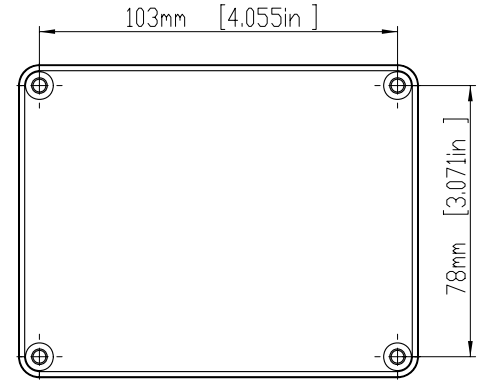
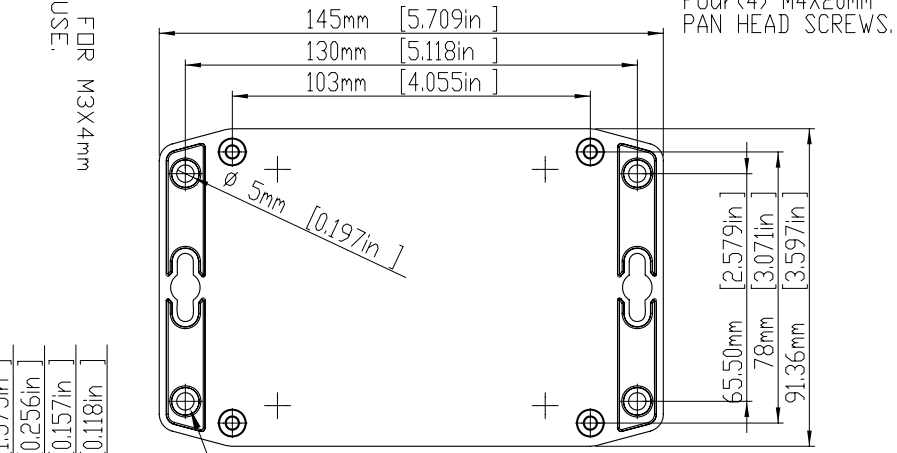
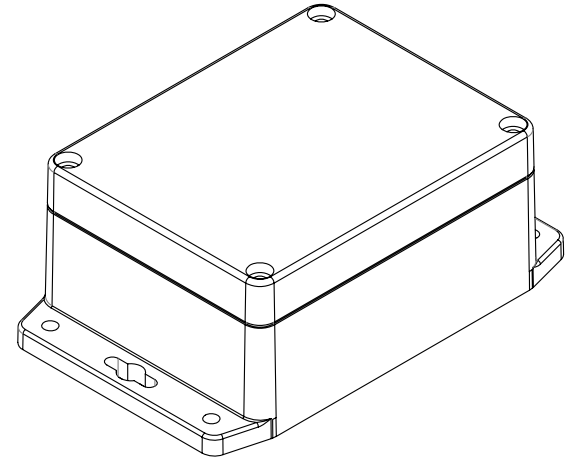
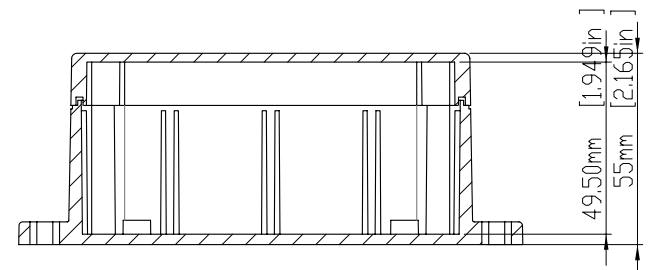


SECTION B-B  
SCALE 2 : 3



SECTION A-A  
SCALE 2 : 3



TOLERANCES: +/- 0.30 mm (+/- 0.012in)

|                                    |    |          |           |      |          |       |                 |           |            |
|------------------------------------|----|----------|-----------|------|----------|-------|-----------------|-----------|------------|
| 宜又實業有限公司<br>GAINTA INDUSTRIES LTD. | 繪圖 | DRA'D BY | 日期        | DATE | 材質       | MATE. | 圖名TITLE:        | 圖號DWG NO: | 版次REVISID: |
|                                    |    | JACKY    | 2010/11/8 |      | PC ; ABS |       | G212MF ; G311FW |           | A          |

| STOCK NO. | MATERIAL                 | BASE-COLOR          | COVER-COLOR         |
|-----------|--------------------------|---------------------|---------------------|
| G212MF    | POLYCARBONATE<br>UL94-HB | LIGHT GRAY(RAL7035) | LIGHT GRAY(RAL7035) |
| G212CMF   | POLYCARBONATE<br>UL94-HB | LIGHT GRAY(RAL7035) | CLEAR               |
| G311MF    | ABS UL94-HB              | DARK GRAY(RAL7000)  | DARK GRAY(RAL7000)  |