

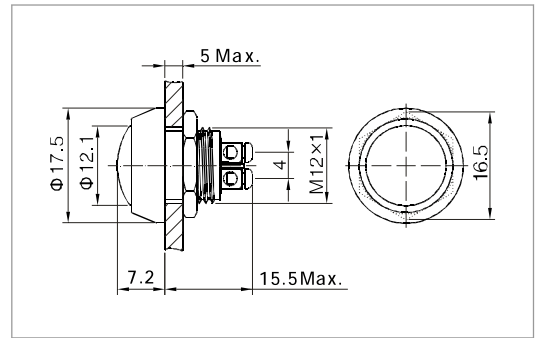
Check the detailed part number from P2

Anti-vandal push button



GQ12B-10/0

- ⊙ Φ12mm Diameter
- ⊙ Switch Rating: 2A/36VDC
- ⊙ Contact Configuration: 1NO
- ⊙ Operation Type: Momentary
- ⊙ The Crust Material: Stainless Steel/
Nickel Plated Brass
- ⊙ IP Degree: IP65,IK08

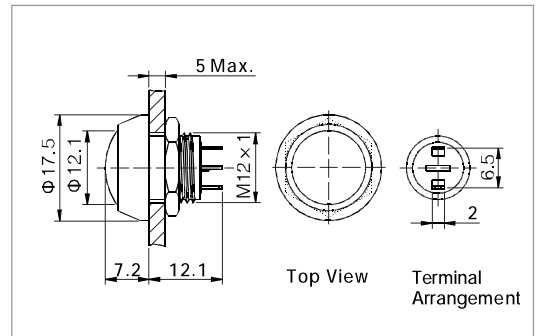


Anti-vandal push button



GQ12B-10/J/0

- ⊙ Φ12mm Diameter
- ⊙ Switch Rating: 2A/36VDC
- ⊙ Contact Configuration: 1NO
- ⊙ Operation Type: Momentary
- ⊙ The Crust Material: Stainless Steel/
Nickel Plated Brass
- ⊙ IP Degree: IP65,IK08

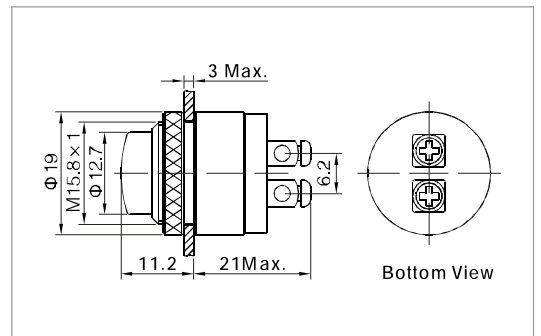


Door bell push button



GQ16M-10

- ⊙ Φ16mm Diameter
- ⊙ Switch Rating: 2A/36VDC
- ⊙ Contact Configuration: 1NO
- ⊙ Operation Type: Momentary
- ⊙ The Crust Material: Brass (bronze-coloured)
- ⊙ IP Degree: IP40,IK09



Specification	GQ12B-10/0	GQ12B-10/J/0	GQ16M-10
Terminal Type	Screw Terminal	Pin Terminal(2 × 0.5mm)	Screw Terminal
Switching	X(double-break slow-motion contact)	X(double-break slow-motion contact)	X(double-break slow-motion contact)
Max. Switch Rating	2A/36VDC	2A/36VDC	2A/36VDC
Contact Resistance	≤50mΩ	≤50mΩ	≤50mΩ
Insulation Resistance	≥1000MΩ	≥1000MΩ	≥1000MΩ
Dielectric Intensity	2000VAC	2000VAC	2000VAC
Operating Temp	-20℃ ~ +55℃	-20℃ ~ +55℃	-20℃ ~ +55℃
Mechanical Life	1,000,000 cycles	1,000,000 cycles	1,000,000 cycles
Electrical Life	200,000 cycles	200,000 cycles	200,000 cycles
Panel Thickness	1 ~ 5mm	1 ~ 5mm	1 ~ 3mm
Torque	5 ~ 14Nm	5 ~ 14Nm	5 ~ 14Nm
Operation Pressure	About 5N	About 5N	About 8N
Operation Travel	About 2.5mm	About 2.5mm	About 3mm
IP Degree	IP65,IK08	IP65,IK08	IP40,IK09
Material	Contact	Sliver Alloy	Sliver Plated Brass
	Button	Stainless Steel/Nickel Plated Brass	Stainless Steel/Nickel Plated Brass
	Body	Stainless Steel/Nickel Plated Brass	Brass (Bronze-coloured)
	Base	PBT	PBT
	RoHS	Made to order	Made to order
Head Color	—	—	Bronze-coloured