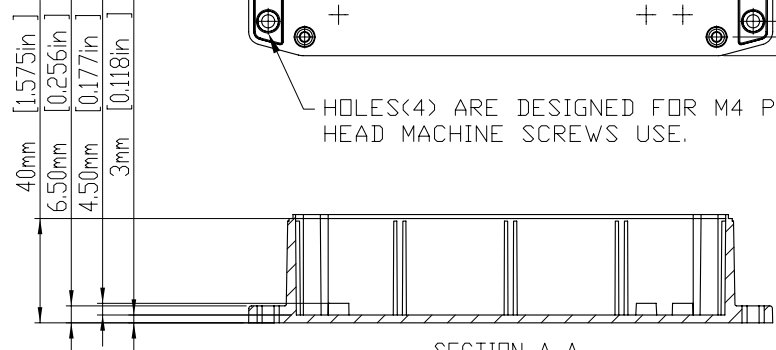
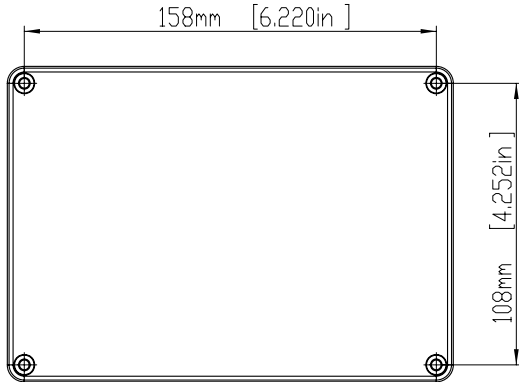
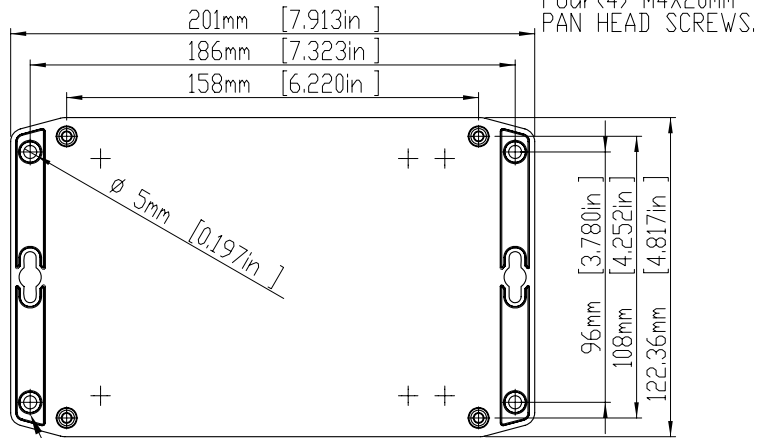
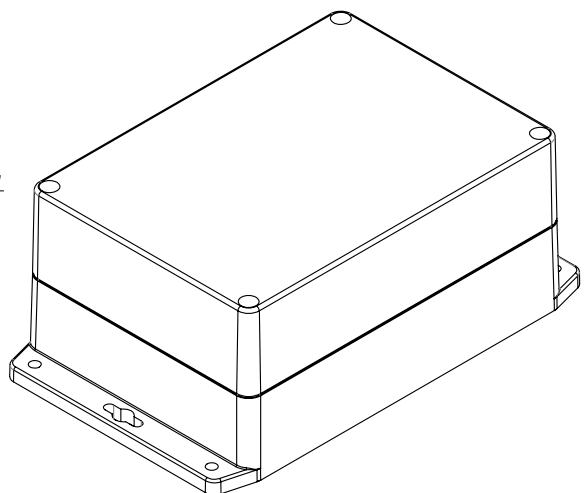
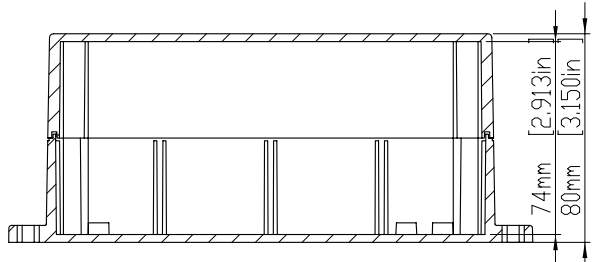


SECTION B-B



SECTION A-A



TOLERANCES: +/- 0.30 mm (+/- 0.012in)

宣又實業有限公司 GAINTA INDUSTRIES LTD.	繪圖	DRA'D BY	日期	DATE	材質	MATE.	圖名TITLE:	圖號DWG NO:	版次REVISID:
		JACKY	2010/11/8		PC ; ABS		G223MF ; G340MF		A

STOCK NO.	MATERIAL	BASE-COLOR	COVER-COLOR
G223MF	POLYCARBONATE UL94-HB	LIGHT GRAY(RAL7035)	LIGHT GRAY(RAL7035)
G223CMF	POLYCARBONATE UL94-HB	LIGHT GRAY(RAL7035)	CLEAR
G340MF	ABS UL94-HB	DARK GRAY(RAL7000)	DARK GRAY(RAL7000)