

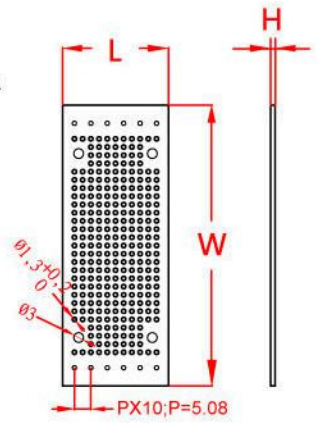


## PCB of position " A" for DXMG use

Part No.	EXTERNAL DIMENSION (mm)		
	LENGTH	WIDTH	THICKNESS
D2MG-PCB-A	32.8	86.9	1.6
D3MG-PCB-A	50	86.9	1.6
D4MG-PCB-A	67.8	86.9	1.6
D6MG-PCB-A	102.8	86.9	1.6
D9MG-PCB-A	156.2	86.9	1.6

Example:

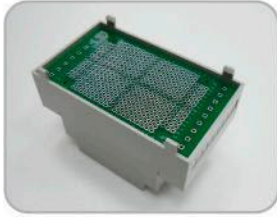
D2MG-PCB-A



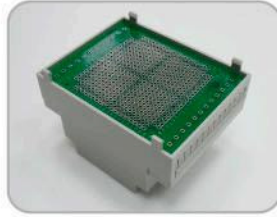
Example:



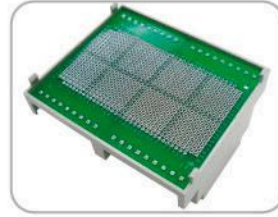
D2MG  
with D2MG-PCB-A



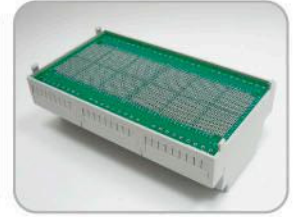
D3MG  
with D3MG-PCB-A



D4MG  
with D4MG-PCB-A



D6MG  
with D6MG-PCB-A



D9MG  
with D9MG-PCB-A



## 3WAY of terminal block for DXMG use

Part No.	Product description
DXMG-3WAY	3WAY terminal block for D2MG /D3MG/D4MG/D6MG/D9MG use

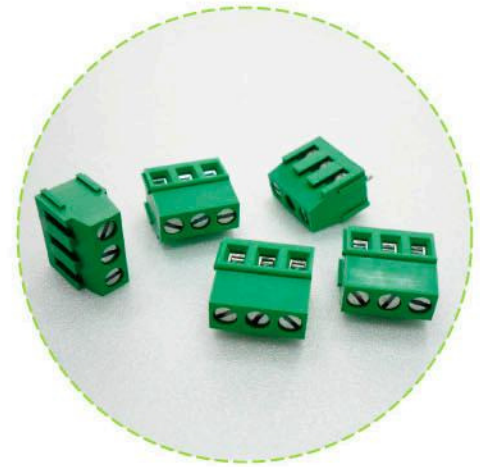
Example:



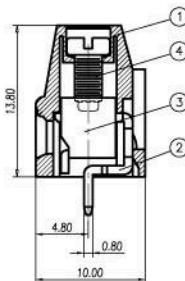
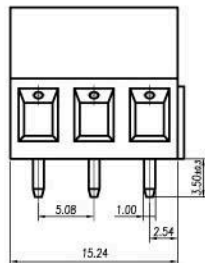
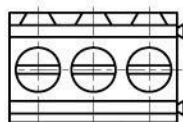
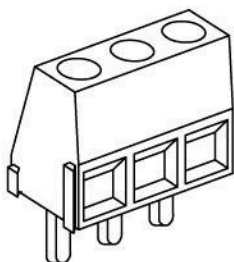
D2MG with  
3WAY of terminal block



D6MG with  
3WAY of terminal block



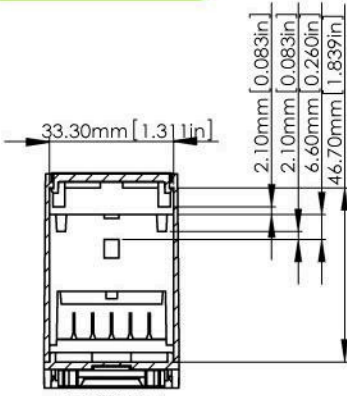
### DXMG-3WAY DRAWING:



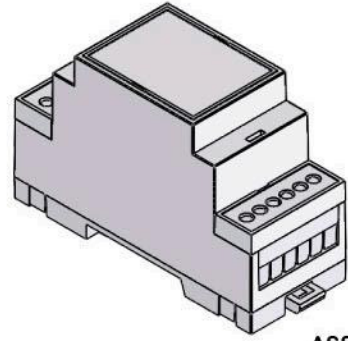
#### NOTES:

1. Rating: 300V 20A (IEC 250V 24A)  
PITCH: 5.08mm
2. Insulation Withstands Voltage:  
AC 2000V at 1 minute
3. Insulation Resistance:  
500M  $\Omega$  or more at DC500V
4. Using Temperature Range:  
-40°C~+105°C
5. Suitable Electric Wire:  
24~12AWG(IEC 0.5~2.5mm<sup>2</sup>)
6. Torque Value: 4 kg-cm
7. RoHS compliance

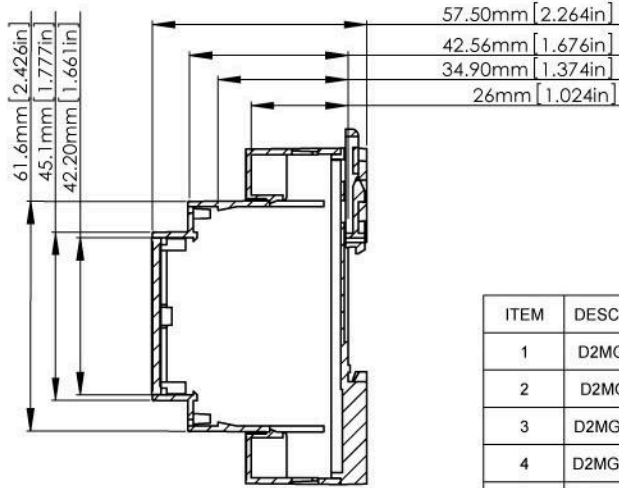
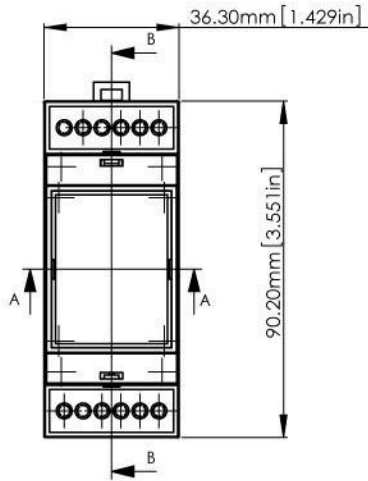
# D2MG



SECTION A-A  
SCALE 1 : 1



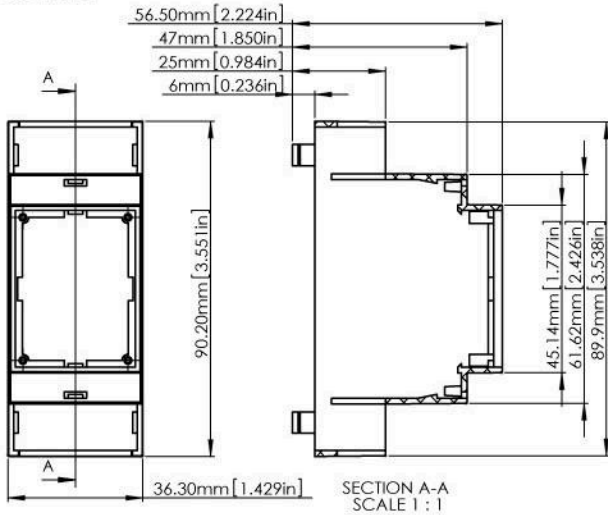
ASSEMBLY



SECTION B-B  
SCALE 1 : 1

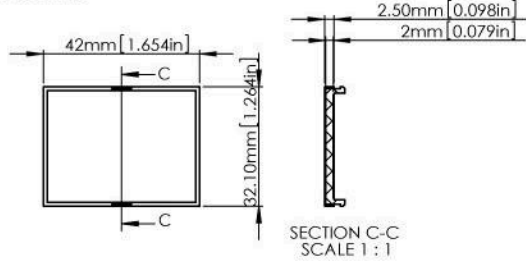
ITEM	DESCRIPTION	MATERIAL	COLOUR	UNIT
1	D2MG-BODY	PC/ABS(UL94-V0)	GREY	1
2	D2MG-BASE	PC/ABS(UL94-V0)	GREY	1
3	D2MG-COVER	PC/ABS(UL94-V0)	GREY	1
4	D2MG-GUARD	PC/ABS(UL94-V0)	GREY	2
5	D2MG-WALL CLIP	NYLON66(UL94-V0)	DARK GREY	1

## D2MG-BODY



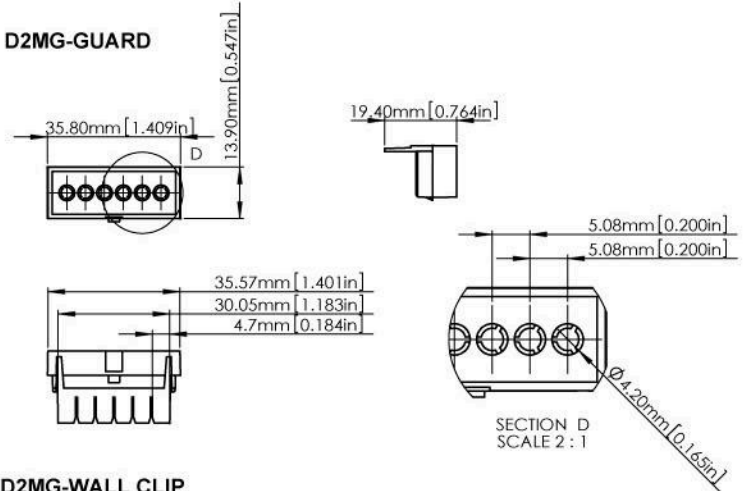
SECTION A-A  
SCALE 1 : 1

## D2MG-COVER



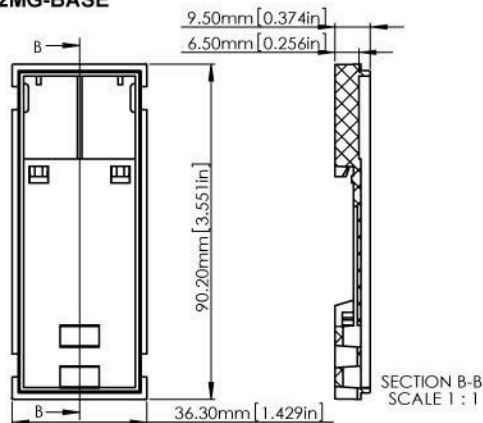
SECTION C-C  
SCALE 1 : 1

## D2MG-GUARD



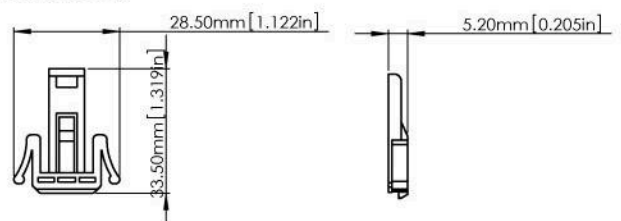
SECTION D  
SCALE 2 : 1

## D2MG-BASE

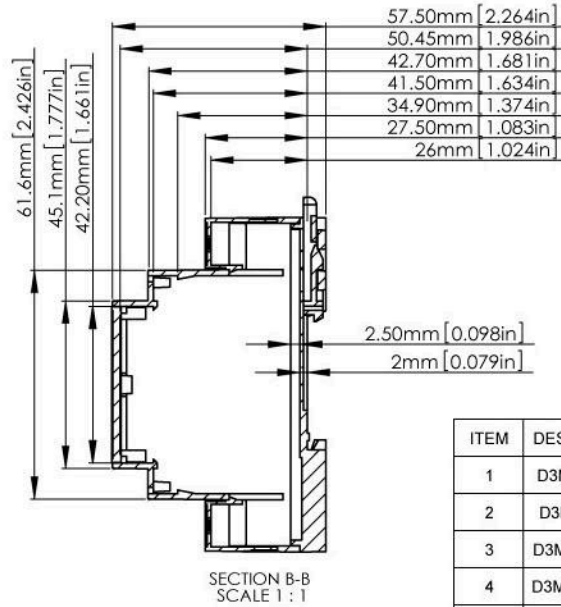
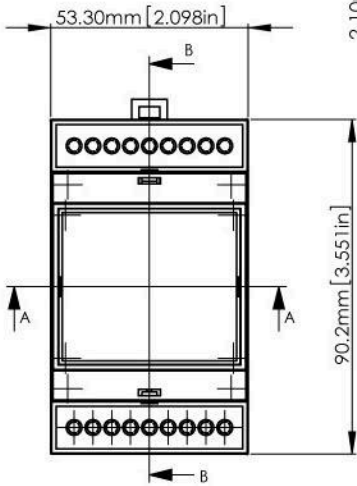
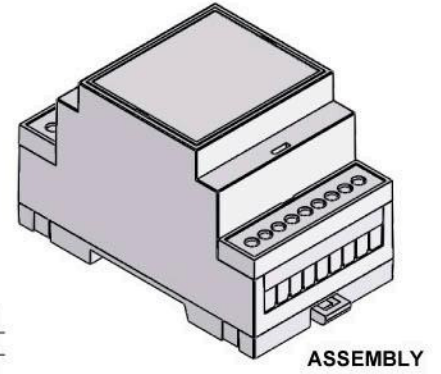
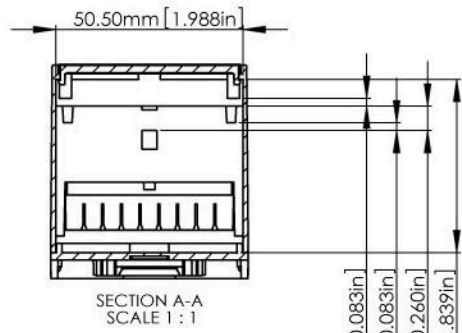


SECTION B-B  
SCALE 1 : 1

## D2MG-WALL CLIP

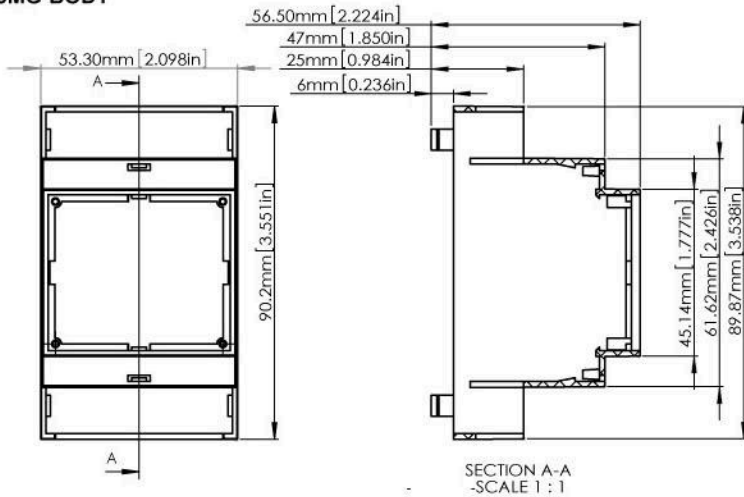


# D3MG

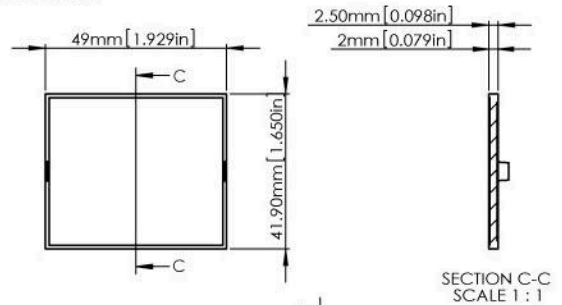


ITEM	DESCRIPTION	MATERIAL	COLOUR	UNIT
1	D3MG-BODY	PC/ABS(UL94-V0)	GREY	1
2	D3MG-BASE	PC/ABS(UL94-V0)	GREY	1
3	D3MG-COVER	PC/ABS(UL94-V0)	GREY	1
4	D3MG-GUARD	PC/ABS(UL94-V0)	GREY	2
5	D3MG-WALL CLIP	NYLON66(UL94-V0)	DARK GREY	1

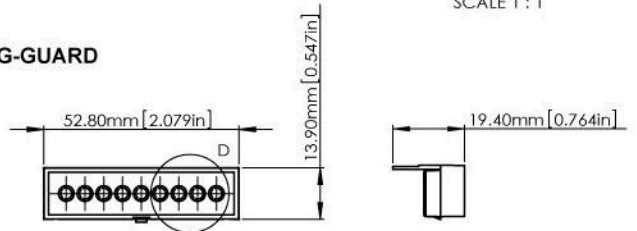
## D3MG-BODY



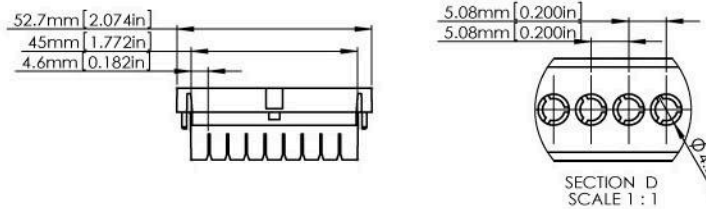
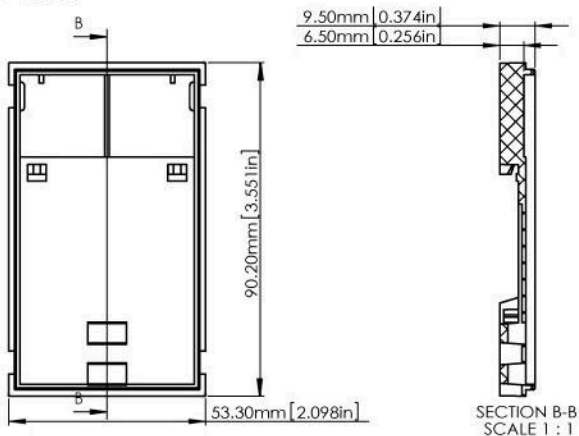
## D3MG-COVER



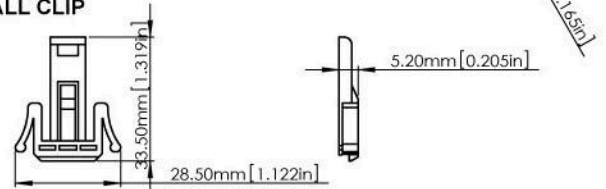
## D3MG-GUARD



## D3MG-BASE

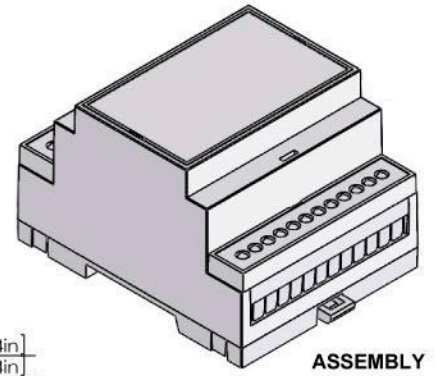
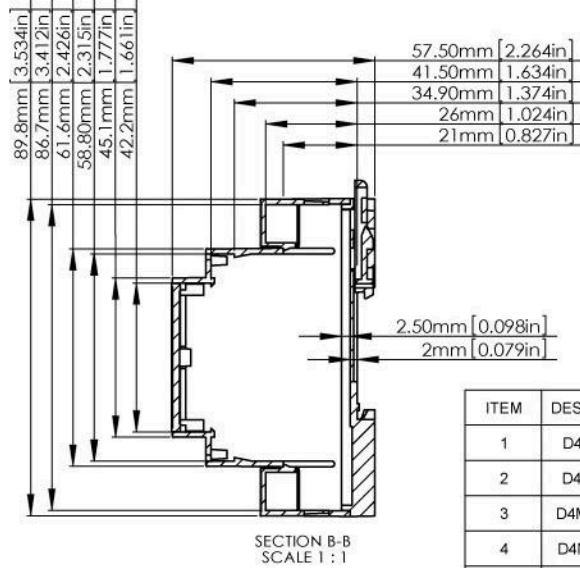
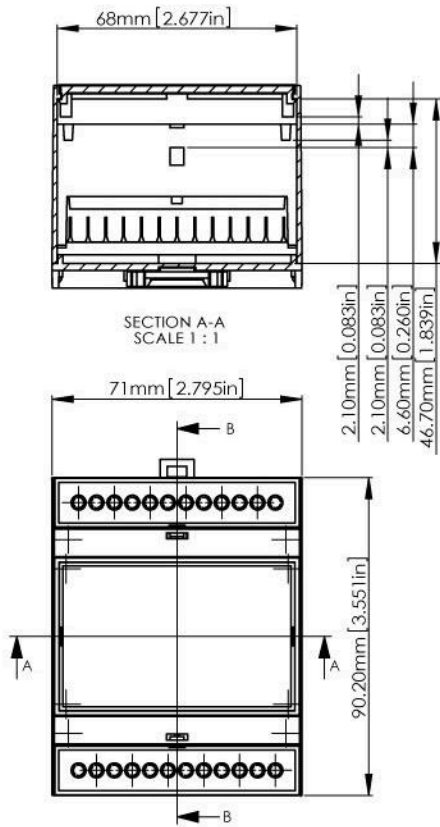


## D3MG-WALL CLIP



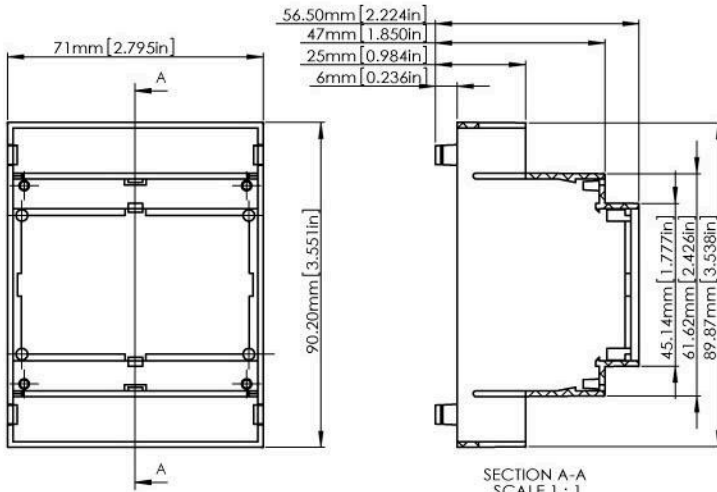


# D4MG

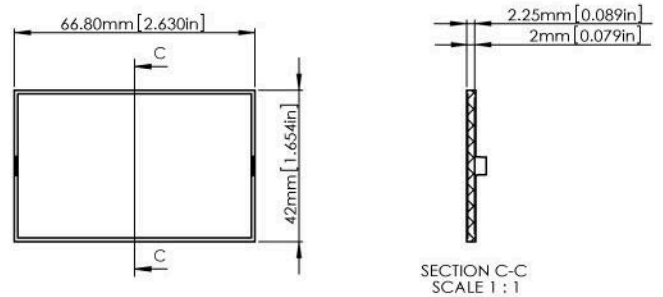


ITEM	DESCRIPTION	MATERIAL	COLOUR	UNIT
1	D4MG-BODY	PC/ABS(UL94-V0)	GREY	1
2	D4MG-BASE	PC/ABS(UL94-V0)	GREY	1
3	D4MG-COVER	PC/ABS(UL94-V0)	GREY	1
4	D4MG-GUARD	PC/ABS(UL94-V0)	GREY	2
5	D4MG-WALL CLIP	NYLON66(UL94-V0)	DARK GREY	1

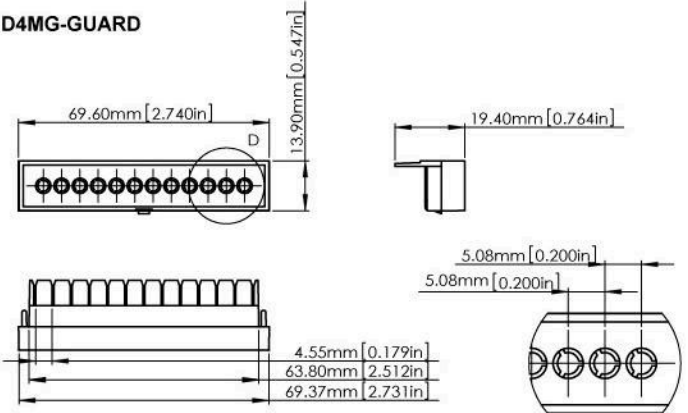
## D4MG-BODY



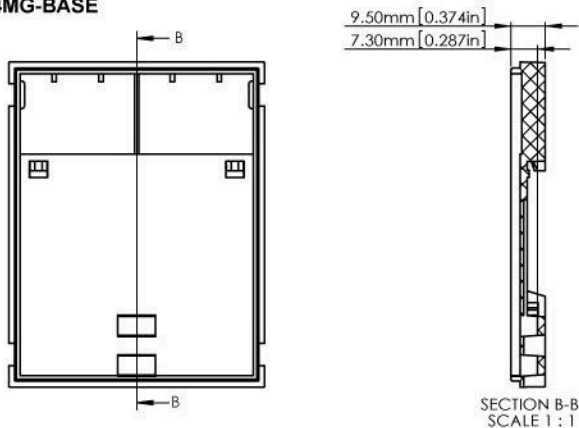
## D4MG-COVER



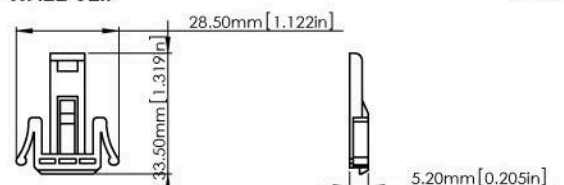
## D4MG-GUARD



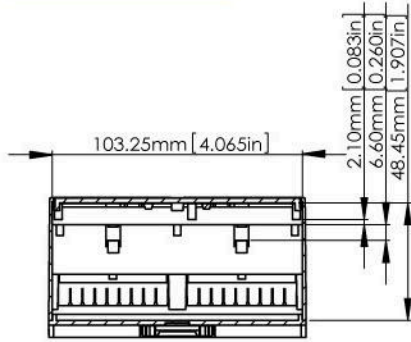
## D4MG-BASE



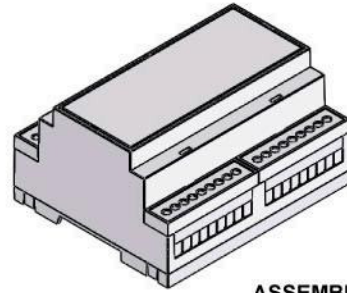
## D4MG-WALL CLIP



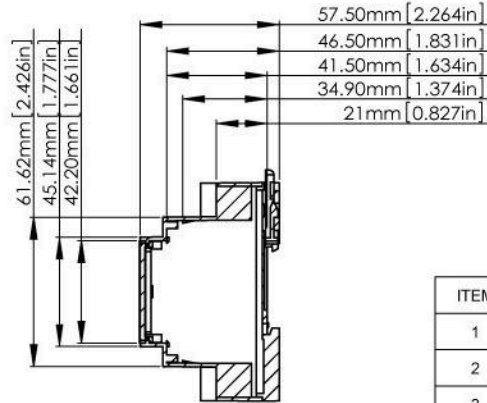
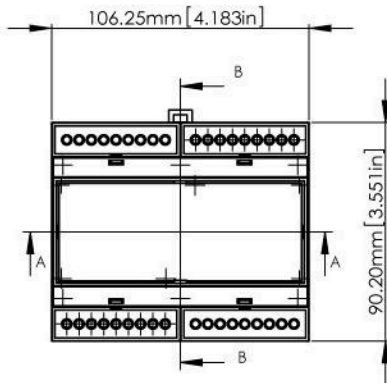
# D6MG



SECTION A-A  
SCALE 2 : 3



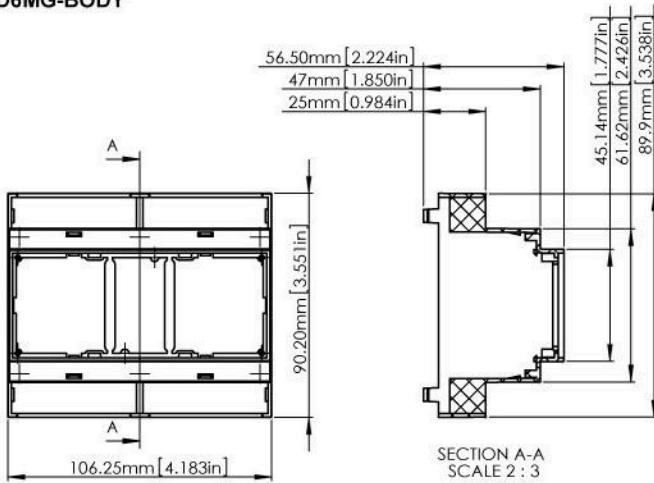
ASSEMBLY



SECTION B-B  
SCALE 2 : 3

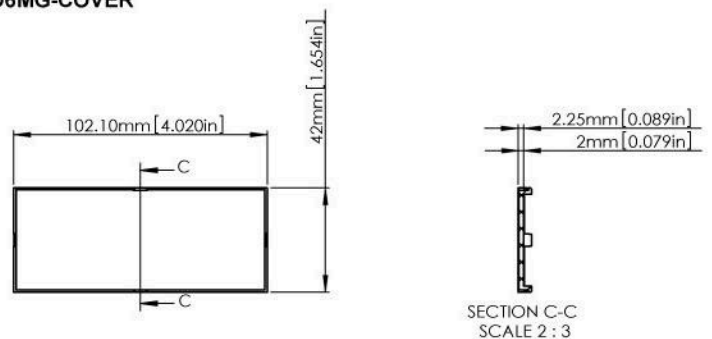
ITEM	DESCRIPTION	MATERIAL	COLOUR	UNIT
1	D6MG-BODY	PC/ABS(UL94-V0)	GREY	1
2	D6MG-BASE	PC/ABS(UL94-V0)	GREY	1
3	D6MG-COVER	PC/ABS(UL94-V0)	GREY	1
4	D6MG-GUARD	PC/ABS(UL94-V0)	GREY	4
5	D6MG-WALL CLIP	NYLON66(UL94-V0)	DARK GREY	1

## D6MG-BODY



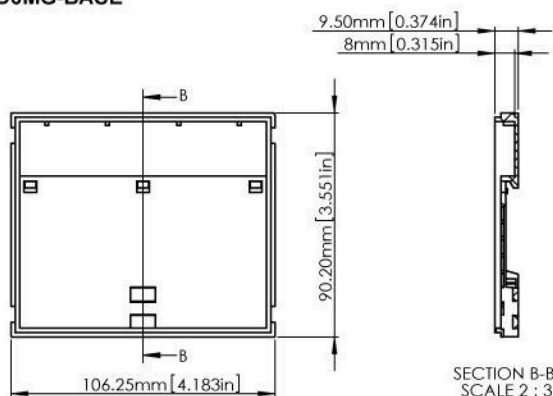
SECTION A-A  
SCALE 2 : 3

## D6MG-COVER



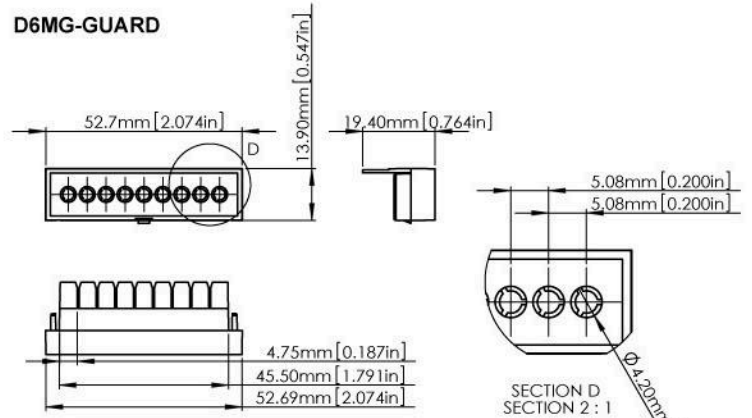
SECTION C-C  
SCALE 2 : 3

## D6MG-BASE



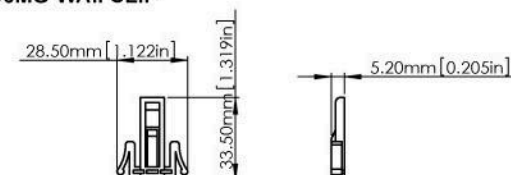
SECTION B-B  
SCALE 2 : 3

## D6MG-GUARD

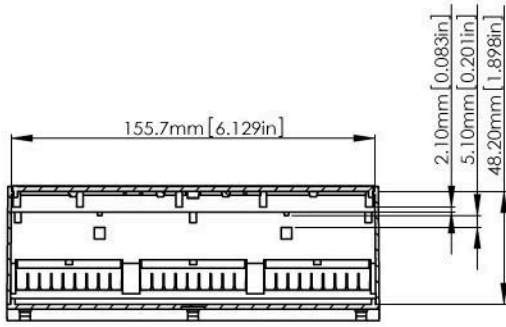


SECTION D  
SECTION 2 : 1

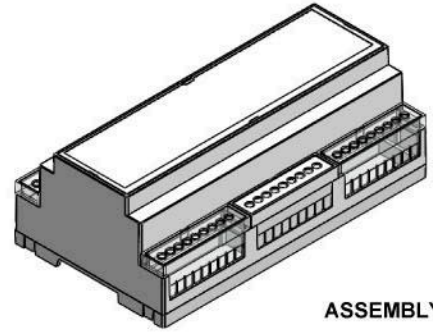
## D6MG-WALL CLIP



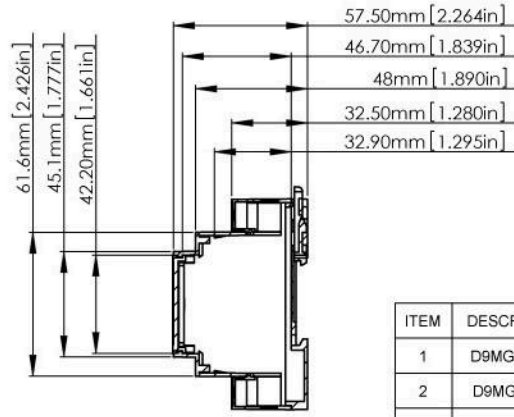
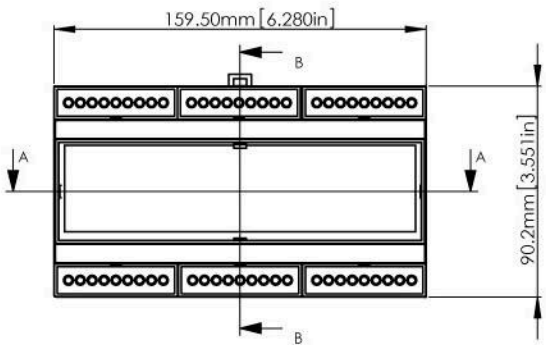
# D9MG



SECTION A-A  
SCALE 2 : 3



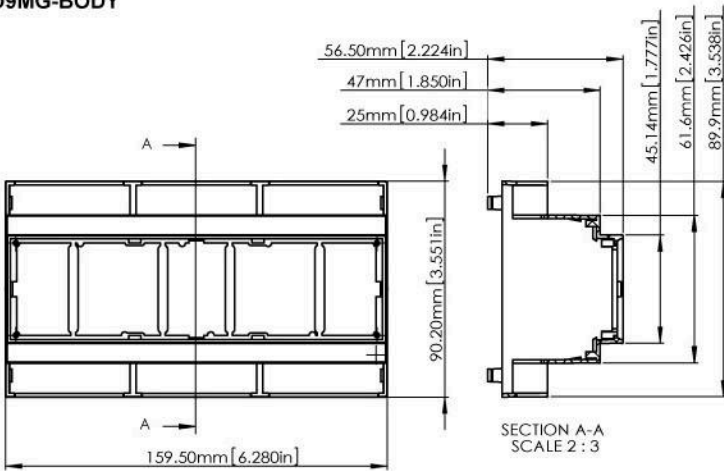
ASSEMBLY



SECTION B-B  
SCALE 2 : 3

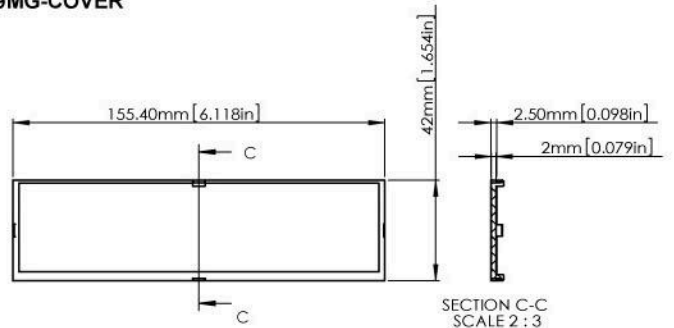
ITEM	DESCRIPTION	MATERIAL	COLOUR	UNIT
1	D9MG-BODY	PC/ABS(UL94-V0)	GREY	1
2	D9MG-BASE	PC/ABS(UL94-V0)	GREY	1
3	D9MG-COVER	PC/ABS(UL94-V0)	GREY	1
4	D9MG-GUARD	PC/ABS(UL94-V0)	GREY	6
5	D9MG-WALL CLIP	NYLON66(UL94-V0)	DARK GREY	1

## D9MG-BODY



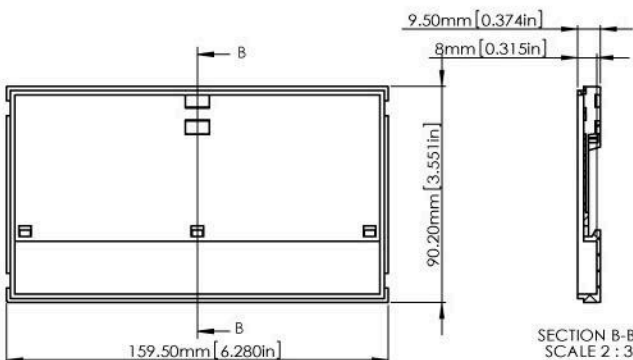
SECTION A-A  
SCALE 2 : 3

## D9MG-COVER



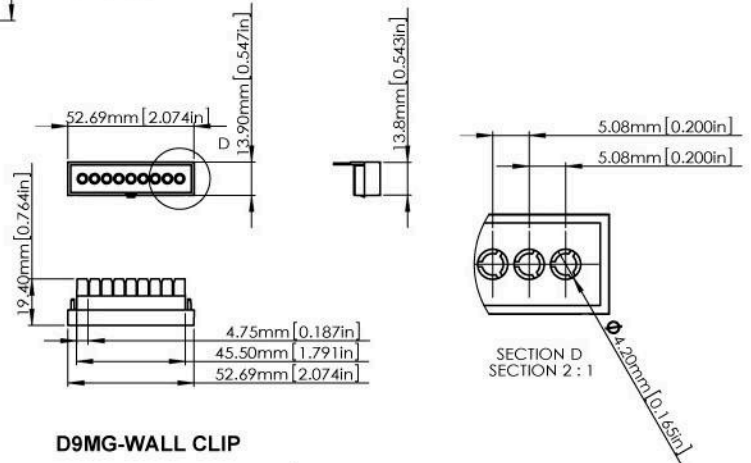
SECTION C-C  
SCALE 2 : 3

## D9MG-BASE



SECTION B-B  
SCALE 2 : 3

## D9MG-GUARD



SECTION D  
SECTION 2 : 1

## D9MG-WALL CLIP

