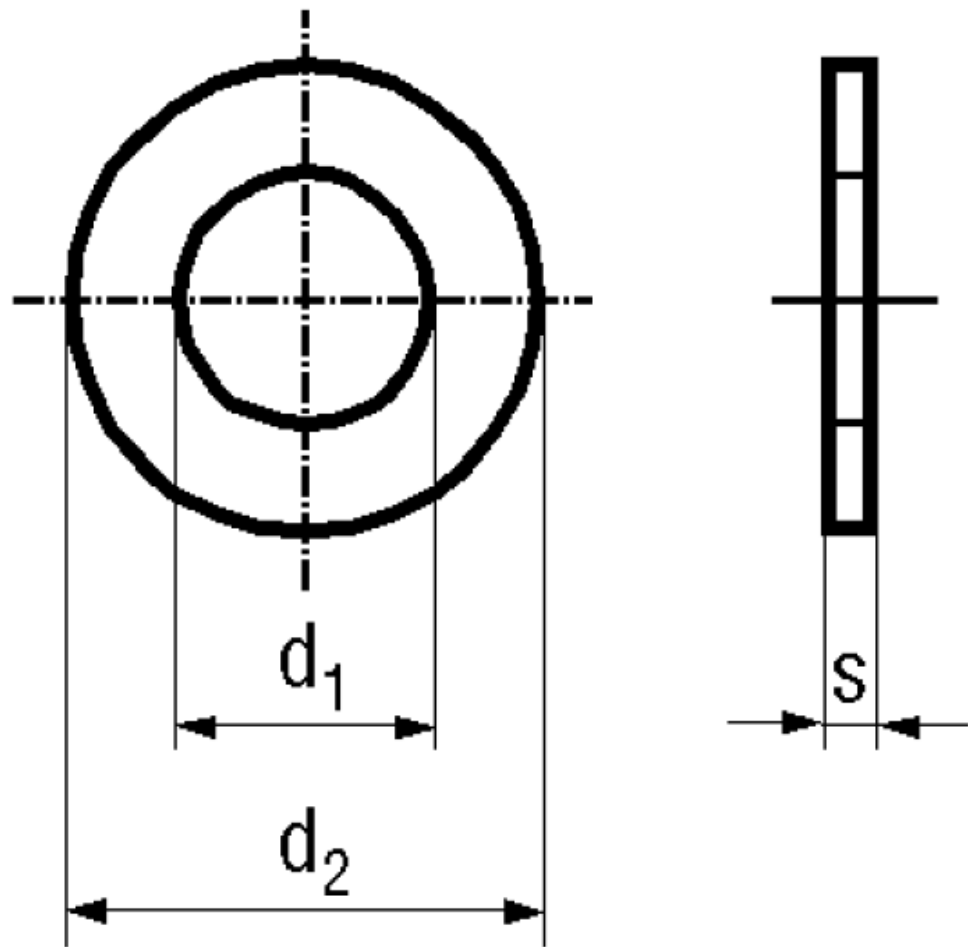


BN 1076 - ~DIN 125 A - ~ISO 7089

Flat washers
without chamfer

~DIN 125 A
~ISO 7089
~UNI 6592



Material Color

Article No. - 1405063	
for thread	M3
d_1	3,2
d_2	7
s	0,5

DIN 125: Standard withdrawn
M1,7; M2,3; M2,6; M3,5; M7: Not included in ISO 7089.