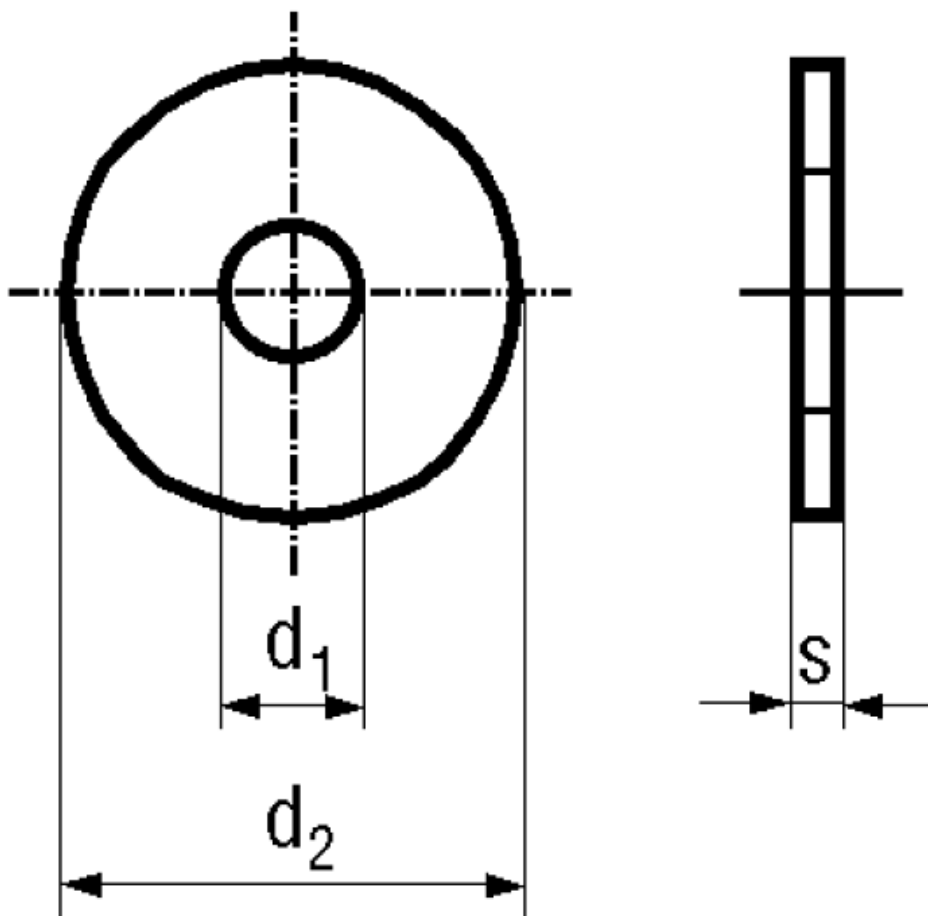


## BN 1356 - DIN 9021 - ~ISO 7093

Flat washers  
without chamfer

DIN 9021  
~ISO 7093  
~UNI 6593



Material	Stainless steel	Hardness	140 HV
Quality	A2	Hardness grade	140 HV

### Article No. - 1117122

fit for	M3
$d_1$	3,2
$d_2$	9
$s$	0,8

DIN 9021: Standard withdrawn