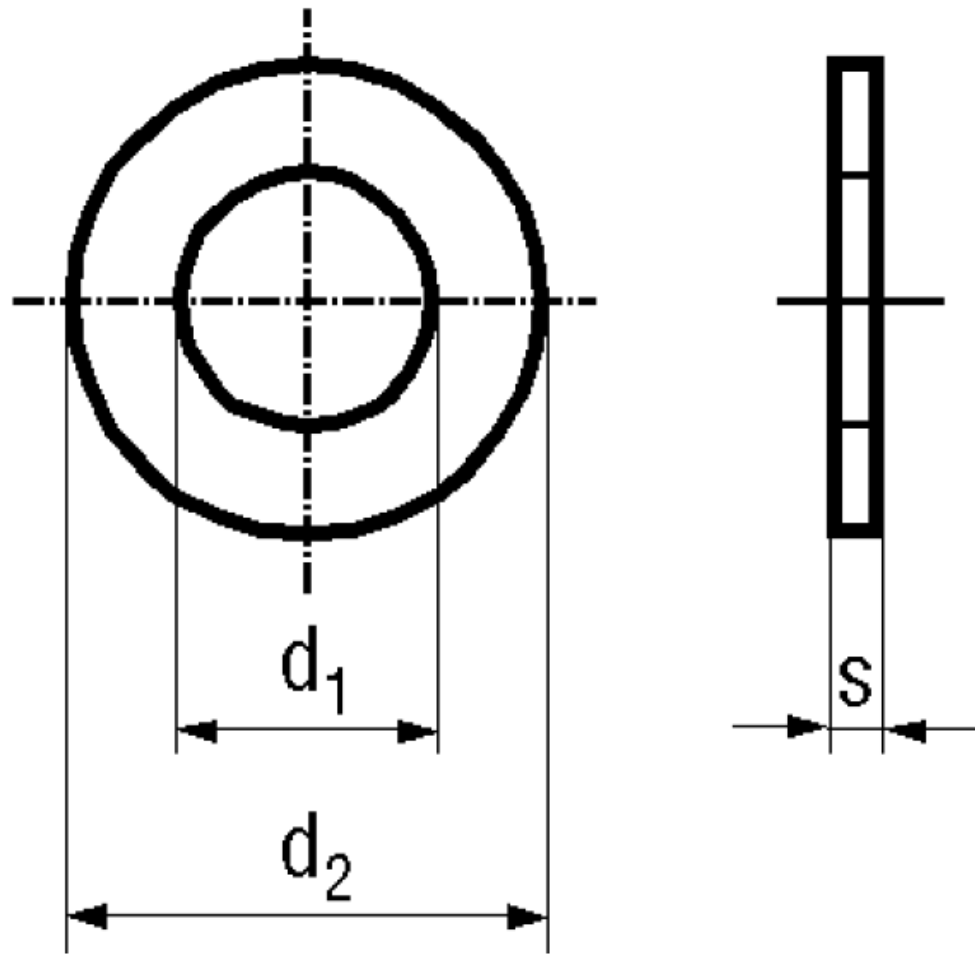


BN 671 - DIN 125 A - ~ISO 7089

Flat washers
without chamfer

DIN 125 A
~ISO 7089
VSM 13904
~UNI 6592



Material	Stainless steel	Hardness grade	140 HV
Quality	A4		

Article No. - 1755560	
fit for	M2,5
d_1	2,7
d_2	6
s	0,5

DIN 125: Standard withdrawn