
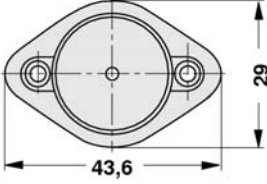
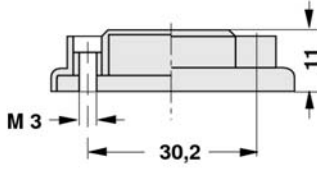

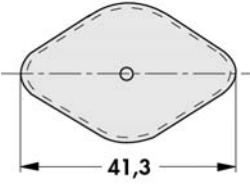
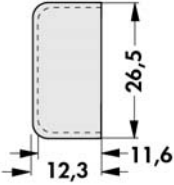


Insulating caps and insulator sleeves

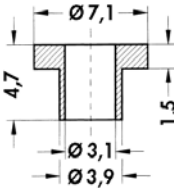
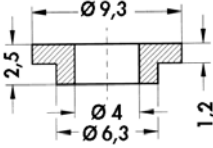
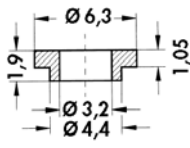
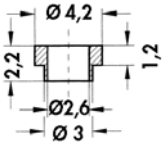
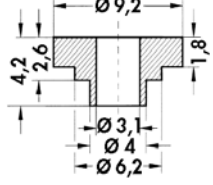
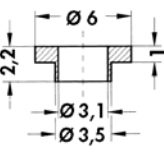
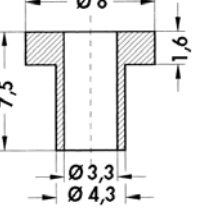
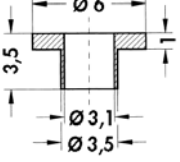
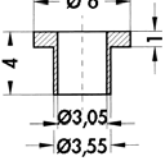
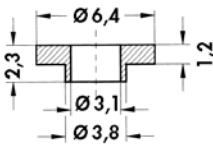
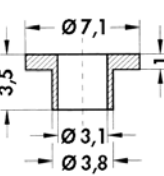
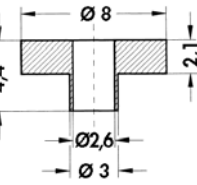
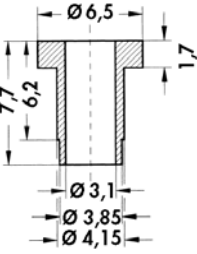
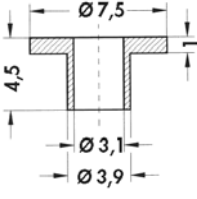
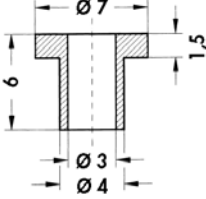
Insulating caps

different transistor flange levels will be compensated by the impressed sleeves

art. no.			
IK 341 3			
art. no.			
IK 3			

material	polyamide, GF reinforced (caps)
pressed-in sleeves	brass, nickel-plated
flammability	UL 94 V-0

Insulator sleeves

				
art. no. IB 1 / IBT 1	art. no. IB 2 / IBT 2	art. no. IB 3 / IBT 3	art. no. IB 4 / IBT 4	art. no. IB 5 / IBT 5
				
art. no. IB 6 / IBT 6	art. no. IB 7 / IBT 7	art. no. IB 8 / IBT 8	art. no. IB 9 / IBT 9	art. no. IB 10 / IBT 10
				
art. no. IB 11 / IBT 11	art. no. IB 12 / IBT 12	art. no. IB 13 / IBT 13	art. no. IB 14 / IBT 14	art. no. IB 15 / IBT 15

	IB 1 - IB 7	IB 8 - IB 15	IBT 1 - IBT 15
material	polyamide 4.6, GF reinforced	thermoplastic resin	PTFE (teflon)
form stability	-40 °C ... +163 °C	-10 °C ... +200 °C	-260 °C ... +250 °C
dielectric strength	>30 KV/mm	>38 KV/mm	>40 KV/mm
flammability	UL 94 V-0	accordant UL 94 V-0	UL 94 V-0

Mica wafers
Thermal conductive material
Mounting for TO 3 angle
Kapton insulator washers

→ E ?
→ E ? - ?
→ A ?
→ E ?

Aluminium oxide wafers
Thermal conductive paste
Thermal conductive glue
Distance sleeves

→ E ? - ?
→ E ?
→ E ?
→ E ? - ?

A
B
C
D
E
F
G
H
I
K
L
M
N