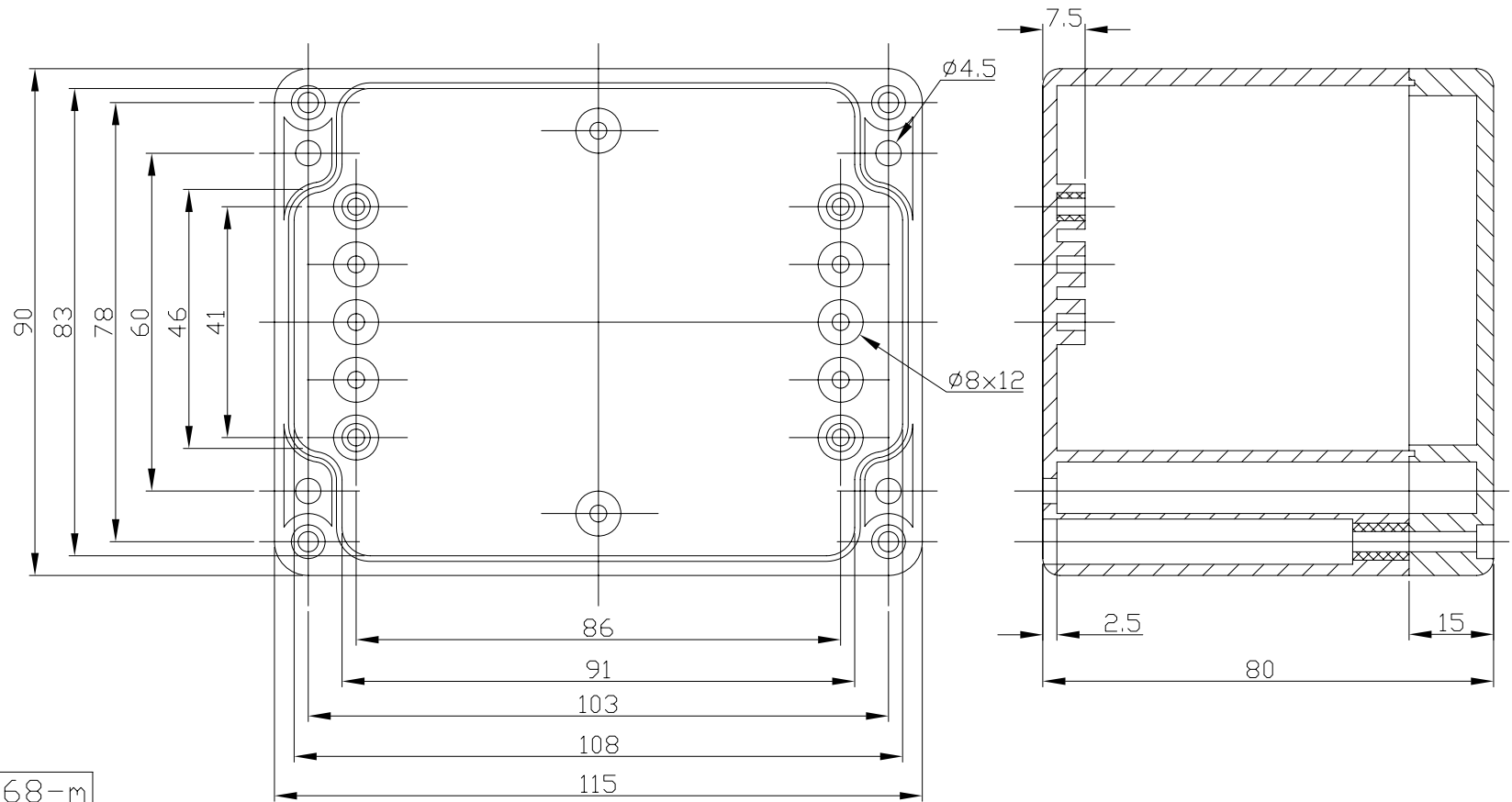


G331/G221



According to ISO 2768-m

Measuring DIM.=L	Tolerance
$0.5 < L \leq 3.0$ mm	± 0.1 mm
$3.0 < L \leq 6.0$ mm	± 0.1 mm
$6.0 < L \leq 30.0$ mm	± 0.2 mm
$30.0 < L \leq 120.0$ mm	± 0.3 mm
$120.0 < L \leq 400.0$ mm	± 0.5 mm
$400.0 < L \leq 1000.0$ mm	± 0.8 mm

宣又實業有限公司
GAINTA INDUSTRIES LTD.

設計 DES'D BY
Spencer

繪圖 DRA'D BY
Spencer

核圖 CHK'D BY

比例 SCALE

日期 DATE
Sep.18,2006

材質 MATE.
ABS,PC

圖名 TITLE:
G331,G221

圖號 DWG NO.:

版次 REVISION	說明 DESCRIPTION
B	