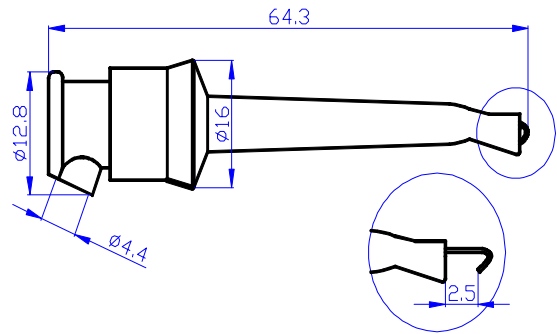




产品名称 (Name) : Test Probe

产品型号 (Model) : A-4.102



Material:

Body: brass

Spring: stainless steel

Insulation: Polyamide

Ratings:

Rated Current: 30ac-60Vdc/Max.10A

Temperature:Max.102 °C

常州市艾迈斯电子有限公司 (Changzhou AMASS Electronics Co., Ltd)

地址(Add): 江苏省常州市武进区礼嘉镇青洋南路6公里处

(QingYang Road, Lijia Town, Wujin Dis. Changzhou City, Jiangsu Pro.)

电话(Phone): 86-519-86731695 传真(Fax): 86-519-86735861

邮编(Zip): 213176 E-mail: hzy@china-amass.com

网址(Web): www.china-amass.com www.amassmodel.com