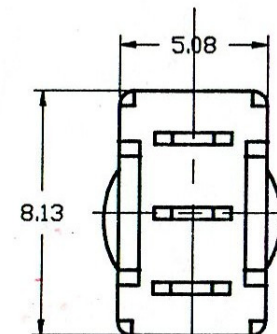
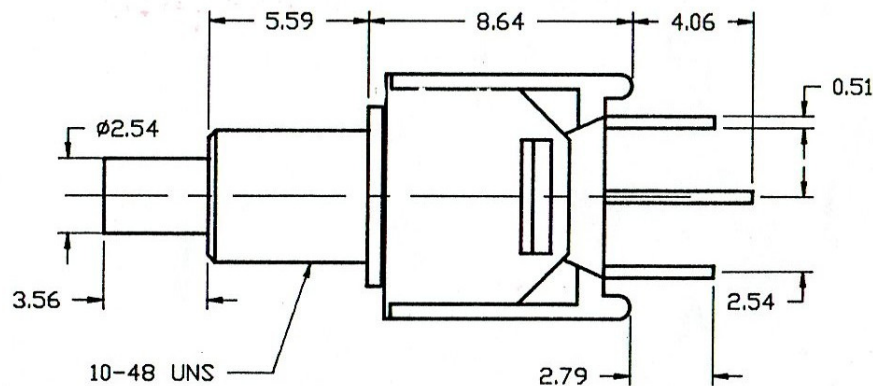
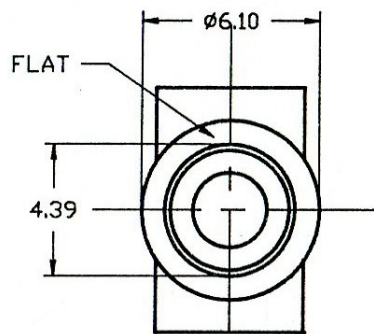


SPECIFICATIONS		Model No.	TYPE	
CONTACT RATING	1 A With resistive load @ 120VAC or 28VDC	TS-22	ON	MOM
ELECTRICAL LIFE	60,000 make-and-break cycles at full load	Term CONN	2-1	2-3
CONTACT RESISTANCE	20mΩ max.initial @ 2-4VDC 100mA for both coin silver and gold plated contact:			
INSULATION RESISTANCE	100MΩ min.			
DIELECTRIC STRENGTH	1,000 volts RMS @ sea level.			
OPERATING TEMPERATURE	-30°C TO 85°C			



海立電氣有限公司 HIGHLY ELECTRIC CO LTD	修正REVISION	日期DATE	說明DESCRIPTION	審核CHECKED	單位UNIT m/m	材質MATERIAL	日期DATE 84.01.12	料號 TYPE NO	TS-22
				繪圖DRAWN Tseng	比例SCALE 4=1	公差TOLERANCE ±0.1	加工PROCESS	檔名 FILE NO	TS-22