

REV.	DESCRIPTION	DRAWN	CHECKED	APPROVED
A	NEW RELEASE	YCH 08/17/07'	~	

NOTES:

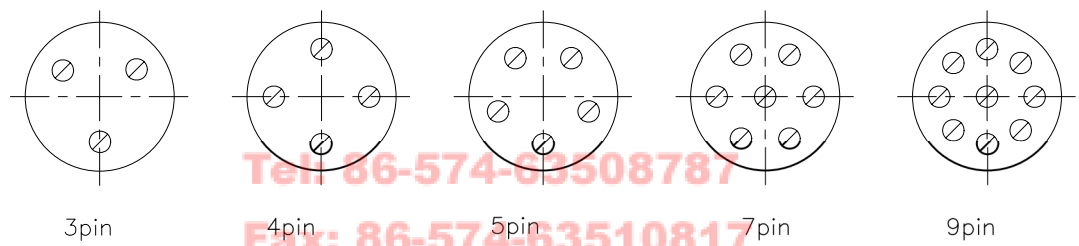
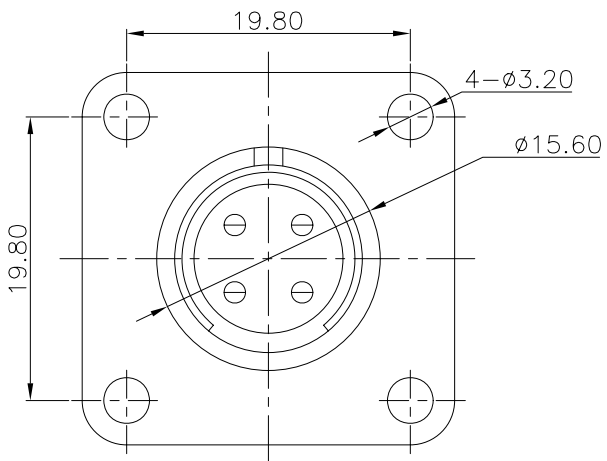
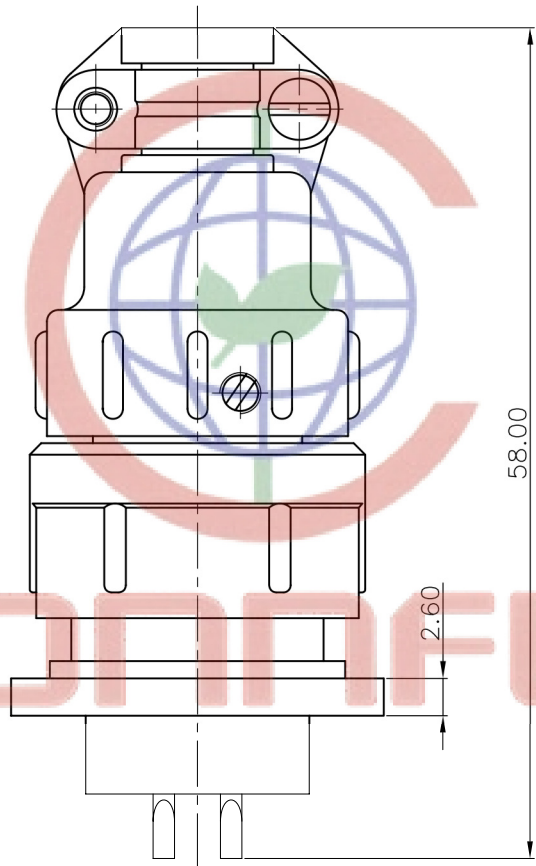
1.SPECIFICATION

- .CURRENT RATING: 5A Max.
- .DIELECTRIC WITH STANDING VOLTAGE: 500V(AC)
- .CONTACT RESISTANCE: 100mΩ Max.
- .INSULATION RESISTANCE: 1000MΩ(DC)Min.

2.PRODUCT NUMBER CODE:

DS1110-06 - X X X X

- SHELL SURFACE FINISHED  
P:SPRAY THE PAINT (GRAY)
- CONTACT PLATING  
Y: SILVER
- COLOR OF HOUSING:  
L: BLUE
- No. OF CONTACTS  
03: 3pin 07: 7pin  
04: 4pin 09: 9pin  
05: 5pin



GENERAL TOLERANCE	ANGLE TOLERANCE	PROJECTION	TITLE
X. ±0.60	X. ±5°	UNITS	MICRO JACK CONNECTOR
.X ±0.38	.X ±3°	SHEET SIZE	SERIES DS1110-06 SERIES
.XX ±0.25	.XX ±2°		
DRAWING TYPE	CUSTOMER	<b>晨翔电子有限公司</b> <b>CONNFLY CONNFLY ELECTRONIC CO. LTD</b>	
SCALE	1:1 SHEET 1 OF 1		
DRAWING NO.	C-DS1110-06-XXX		

Tel: 86-574-63508787  
Fax: 86-574-63510817

E-mail: sales@connfly.com.cn  
<http://www.connfly.com.cn>  
 Add: West Gaoxin Road, Cixi Ningbo, China  
 P.C.: 315521