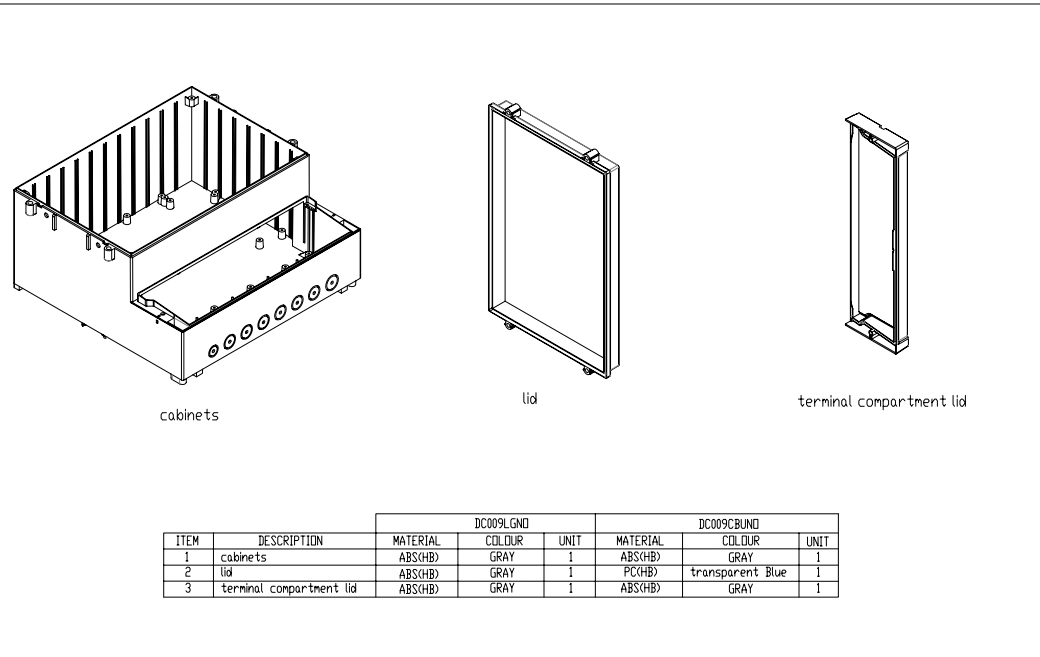


DIMENSION	CABLE GLAND
A	15.6mm PG 9(DR M12)
B	19.0mm PG 11(DR M16)
C	20.8mm PG 13.5(DR M20)

According to ISO 2768-m

Measuring DIM=L	Tolerances
0.5<L<=3.0mm	±0.1mm
3.0<L<=6.0 mm	±0.1mm
6.0<L<=30.0 mm	±0.2mm
30.0<L<=120.0 mm	±0.3mm
120.0<L<=400.0 mm	±0.5mm
400.0<L<=1000.0 mm	±0.8mm



ITEM	DESCRIPTION	DC009LGND			DC009CBUND		
		MATERIAL	COLOUR	UNIT	MATERIAL	COLOUR	UNIT
1	cabinets	ABS(HB)	GRAY	1	ABS(HB)	GRAY	1
2	lid	ABS(HB)	GRAY	1	PC(HB)	transparent Blue	1
3	terminal compartment lid	ABS(HB)	GRAY	1	ABS(HB)	GRAY	1

宜又實業有限公司 GAINTA INDUSTRIES LTD.	繪圖 DRA'D BY JACKY	日期 DATE 2012/04/13	材質 MATE. ABS(HB)	圖名 TITLE DC009LGND DC009CBUND	圖號 DWG NO: 1-1	版本 REVISID: A
------------------------------------	-------------------------	--------------------------	------------------------	--	----------------------	---------------------

宜又實業有限公司 GAINTA INDUSTRIES LTD.	繪圖 DRA'D BY JACKY	日期 DATE 2012/04/13	材質 MATE. ABS(HB)	圖名 TITLE DC009LGND DC009CBUND	圖號 DWG NO: 1-2	版本 REVISID: A
------------------------------------	-------------------------	--------------------------	------------------------	--	----------------------	---------------------